

Controlling RW 232 Devices using a Control System & the Rane Via 10

Mike Slattery, Conferencing Engineer
mikes@rane.com

In most room configurations a control system is connected to an RW 232 device using RS-232. If a system administrator wishes to remotely operate an RW 232 device using Ethernet, an RS-232 AB switch or a relay must be used to select between the RS-232 of the control system and the Via 10. If using a relay, the position of the relay can be performed using one of the open collector outputs of the VOP (Versatile Output Port) on the Via 10.

In this example the RW 232 device is connected to the common pins, the control system is connected to the normally closed pins, and the Via 10 is connected to the normally open pins of a 12 volt DPDT (Double Pole Double Throw) relay. To operate the relay the Via 10 supplies both the +12 volt power

and control using the +12 Pin and Pin 8 of the VOP. The Rane supplied VIP/VOP Tester program, called **vipvop.exe**, can then be used to select between the control system and the VIA 10. Both the VIP/VOP Tester and RaneWare program can operate at the same time.

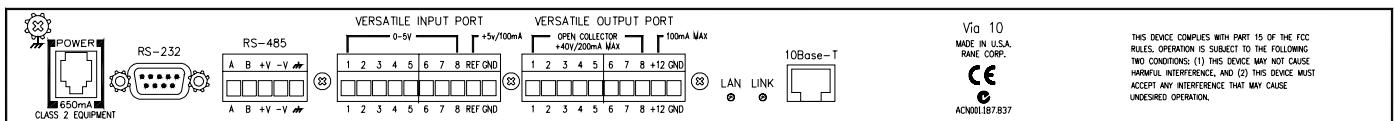
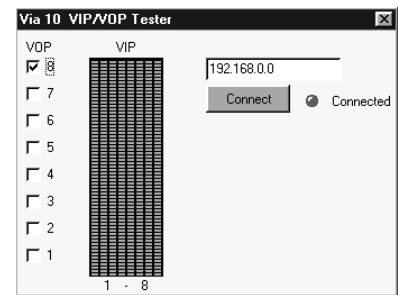
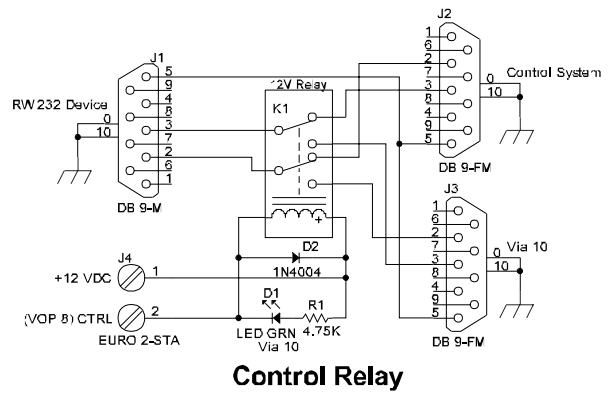
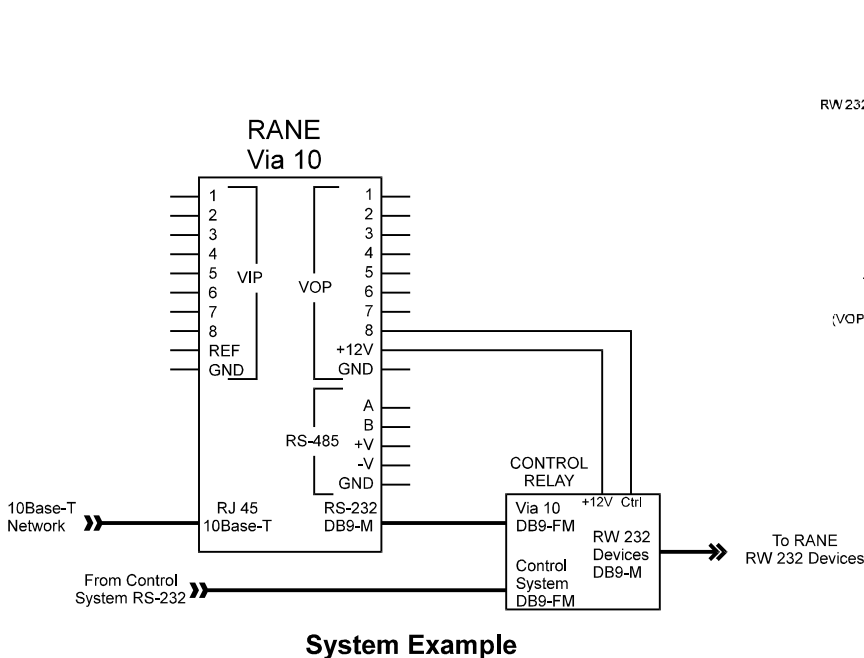
To operate the system using the Via 10, you must first assign an IP address to the Via 10, RaneWare program and the Via 10 VIP/VOP Tester. The easiest way to assign the IP address to the Via 10 is to use a crossover cable between a PC and the Via 10. To assign the Via 10 IP address, first place the Via 10 into a configuration mode by pressing in the **CONFIG** button during power-up of the Via 10. The **PWR** LED will flash. Run the Via 10 Config program, **viaconfig.exe**, enter the IP address and press **Send Addr** button. If successful, unplug the Via 10 and connect it to the

network. Enter the same IP address for both the RaneWare program and the Via 10 VIP/VOP Tester. In the RaneWare program select **Via 10** for connection type within the **System Setup** dialog. For more information see page 4 of the Via 10 Manual.

To switch between the control system and the RaneWare program, run the Via 10 VIP/VOP Tester and press the **Connect** button. For RaneWare operation check **VOP 8**. For control system operation uncheck **VOP 8**.

Note that the Via 10 is only a 10Base-T device, so make certain that your hub and Ethernet card supports 10Base-T.

Other features that the Via 10 can support are turning on and off the control system or room, locking the room, and monitoring the control system, audio levels and temperature.



Via 10 Rear Panel