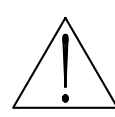


TOP



ACTION:  
NO CHANGE TO THIS SHEET,  
WAS 110036, 28JUL08 SKH

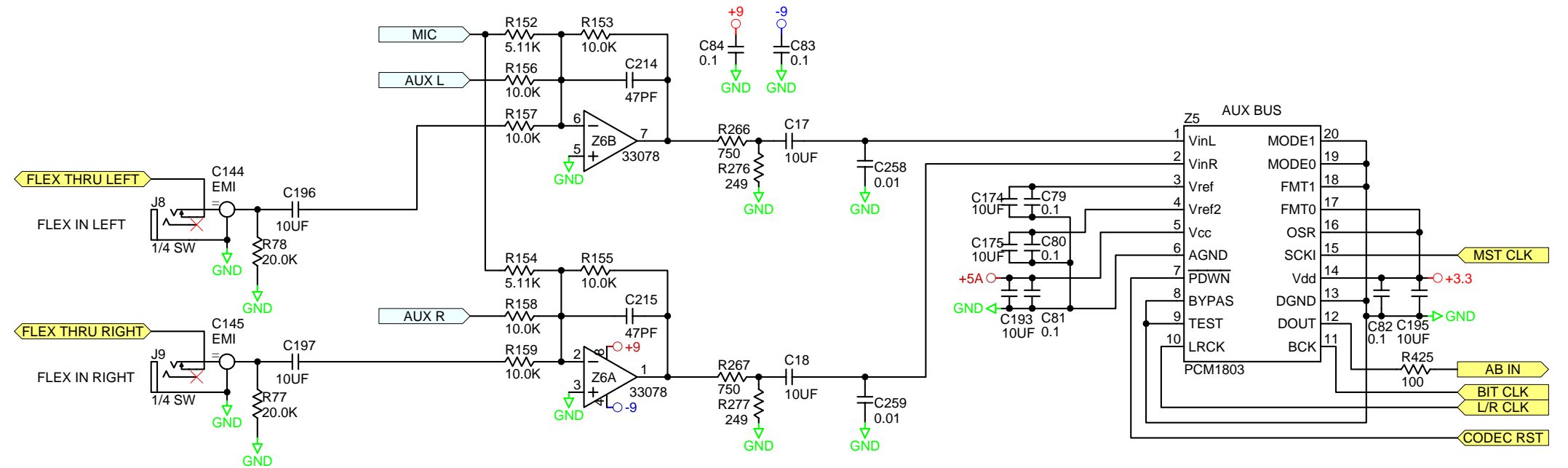
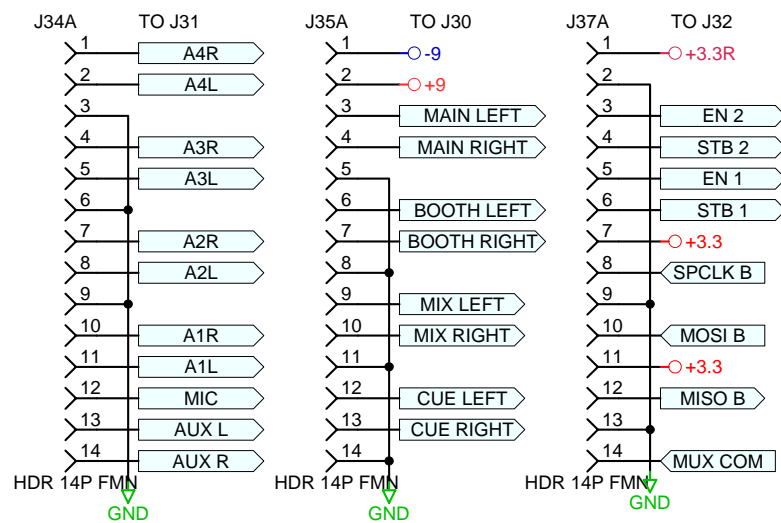
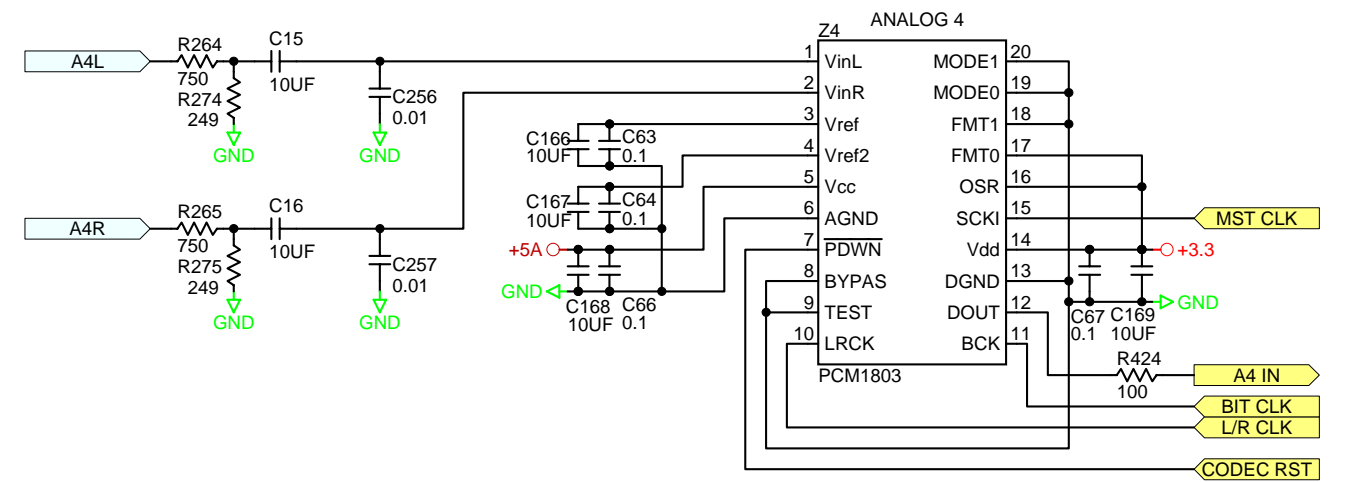
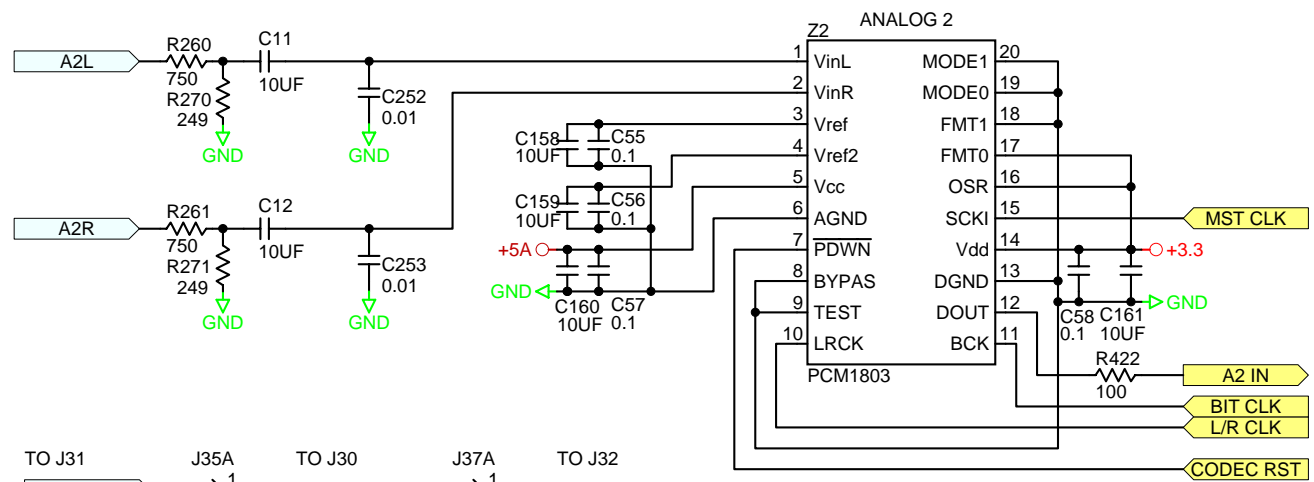
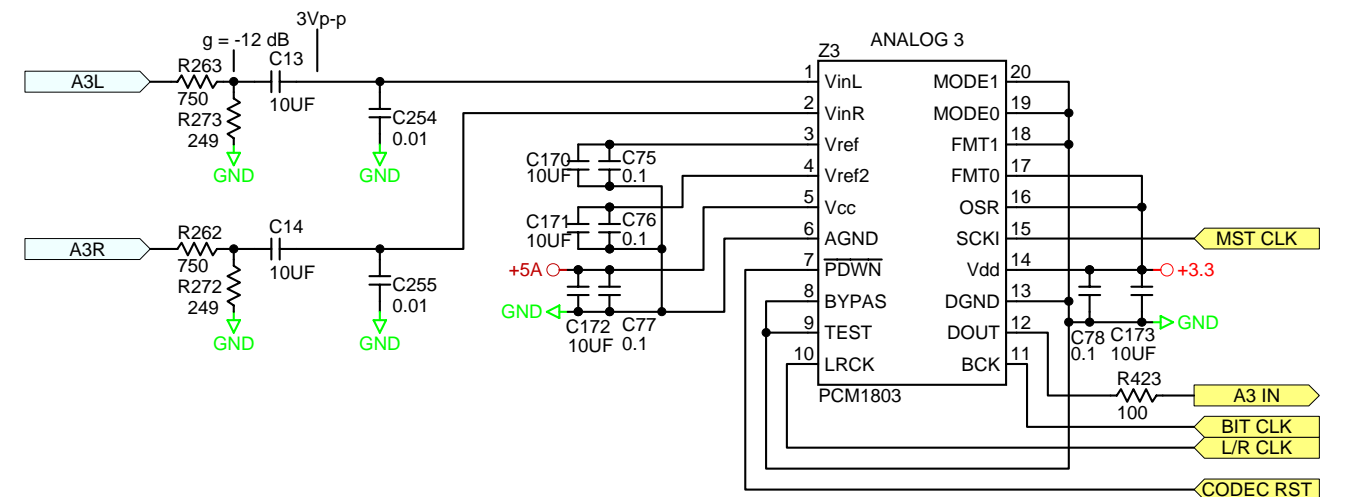
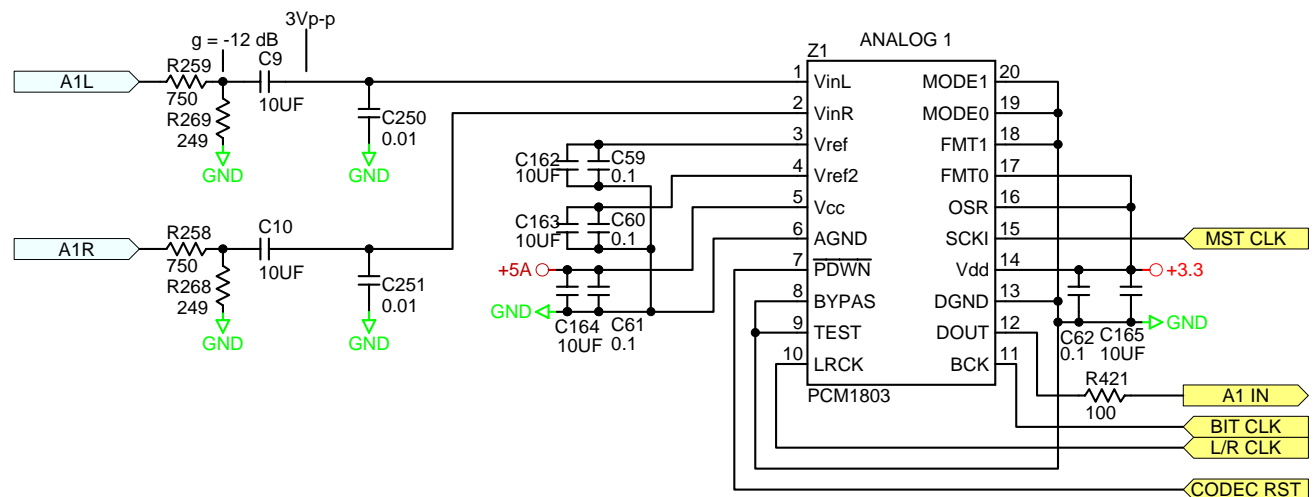
DRAWN BY: **RJ** CHECKED BY: **RG**



INPUT TTM57SL

SHEET:  
1 of 4

**111462**



DAC (BOTTOM) DSP (BOTTOM)  
109544-2.SCH 109544-4.SCH

DIG (BOTTOM) PWR SUP (BOTTOM)  
109544-3.SCH 109544-5.SCH

Text

C:\CAD Projects\TTM57SL\110272-1.SCH 11/22/2012



ACTION:  
NO CHANGE THIS SHEET  
WAS 109544 RWJ 15DEC06  
DRAWN BY: RJ CHECKED BY: RG



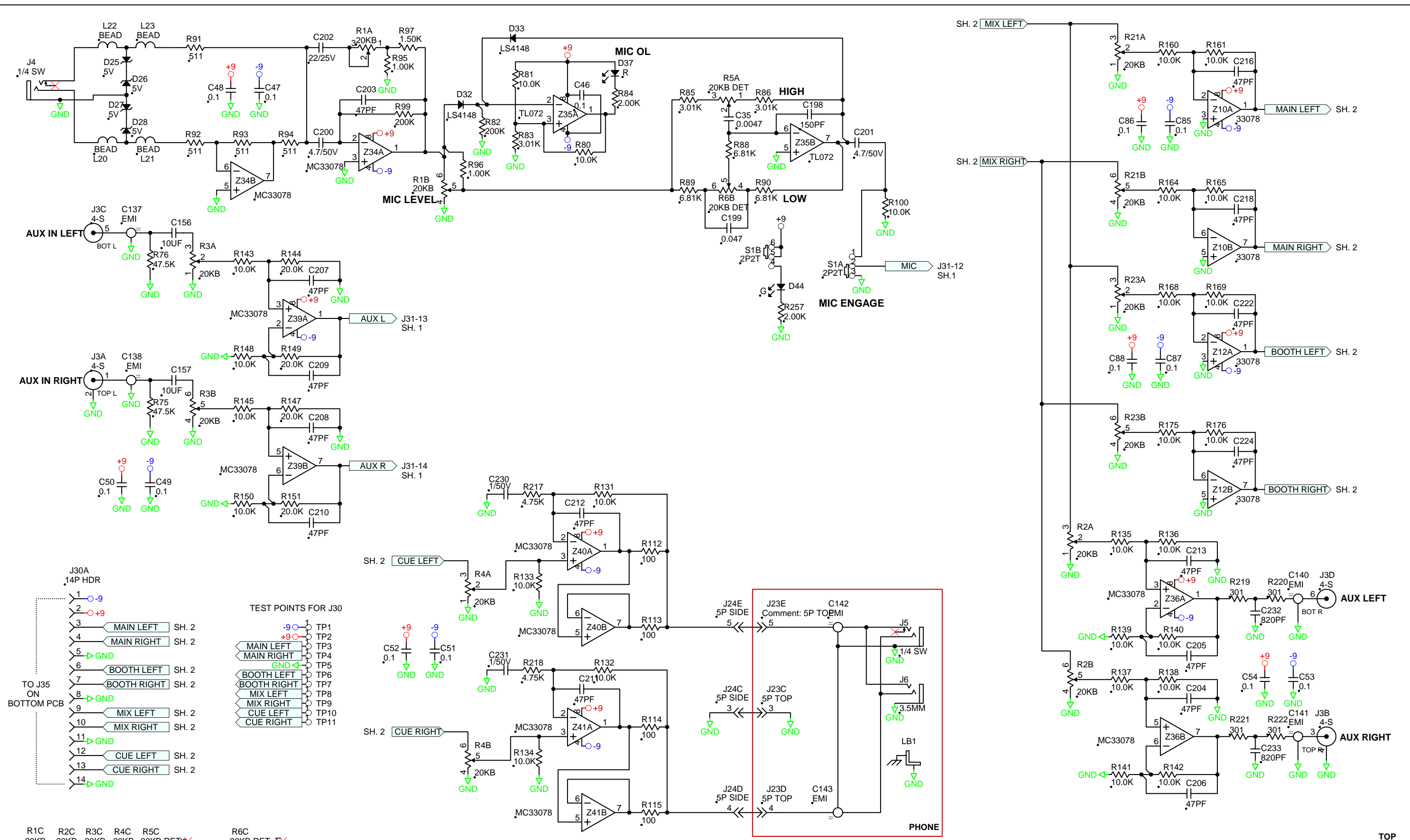
ADC TTM57SL

10802 47th Avenue West  
Mukilteo WA 98275-5098

SHEET:

1 of 5 110272

BOTTOM



- J30A  
14P HDR
- 1 -9
  - 2 +9
  - 3 MAIN LEFT SH. 2
  - 4 MAIN RIGHT SH. 2
  - 5 GND
  - 6 BOOTH LEFT SH. 2
  - 7 BOOTH RIGHT SH. 2
  - 8 GND
  - 9 MIX LEFT SH. 2
  - 10 MIX RIGHT SH. 2
  - 11 GND
  - 12 CUE LEFT SH. 2
  - 13 CUE RIGHT SH. 2
  - 14 GND
- TO J35  
ON  
BOTTOM PCB

- TEST POINTS FOR J30
- 9 TP1
  - +9 TP2
  - MAIN LEFT TP3
  - MAIN RIGHT TP4
  - GND TP5
  - BOOTH LEFT TP6
  - BOOTH RIGHT TP7
  - MIX LEFT TP8
  - MIX RIGHT TP9
  - CUE LEFT TP10
  - CUE RIGHT TP11

- R1C 20KB
- R2C 20KB
- R3C 20KB
- R4C 20KB
- R5C 20KB DET
- R6C 20KB DET
- R5B 20KB DET
- R6A 20KB DET
- R23C 20KB
- R21C 20KB



ACTION:  
NO CHANGE TO THIS SHEET,  
WAS 110036, 28JUL08 SKH

DRAWN BY: RJ CHECKED BY: RG

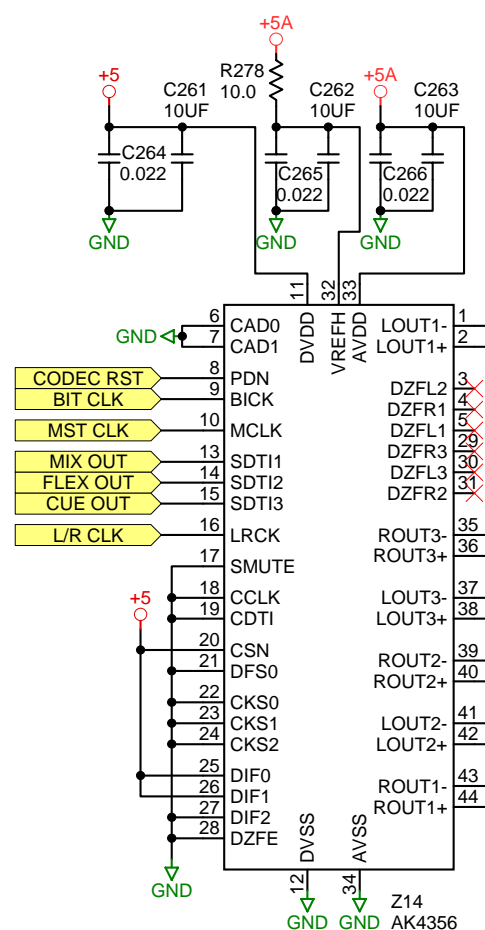
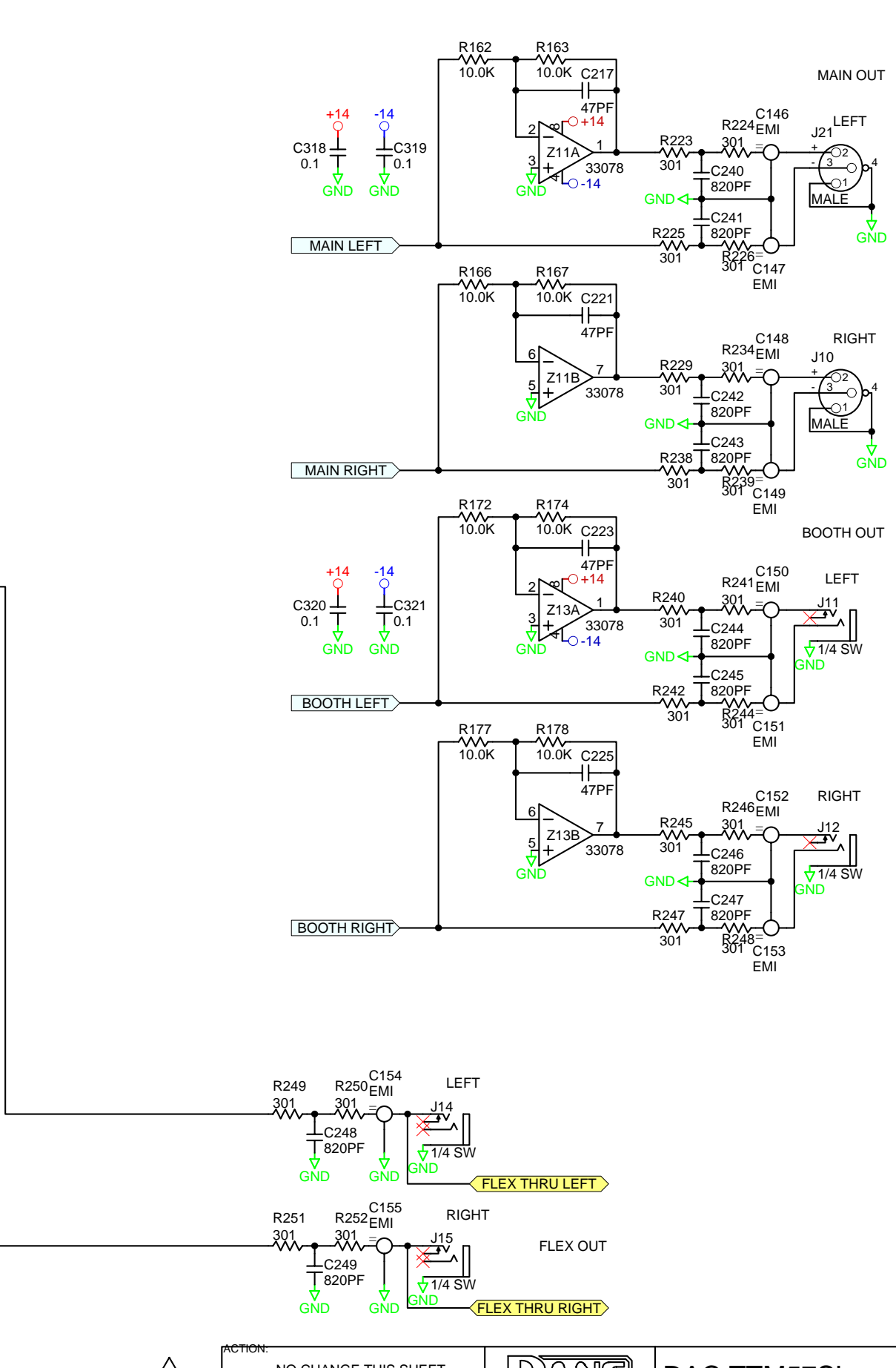
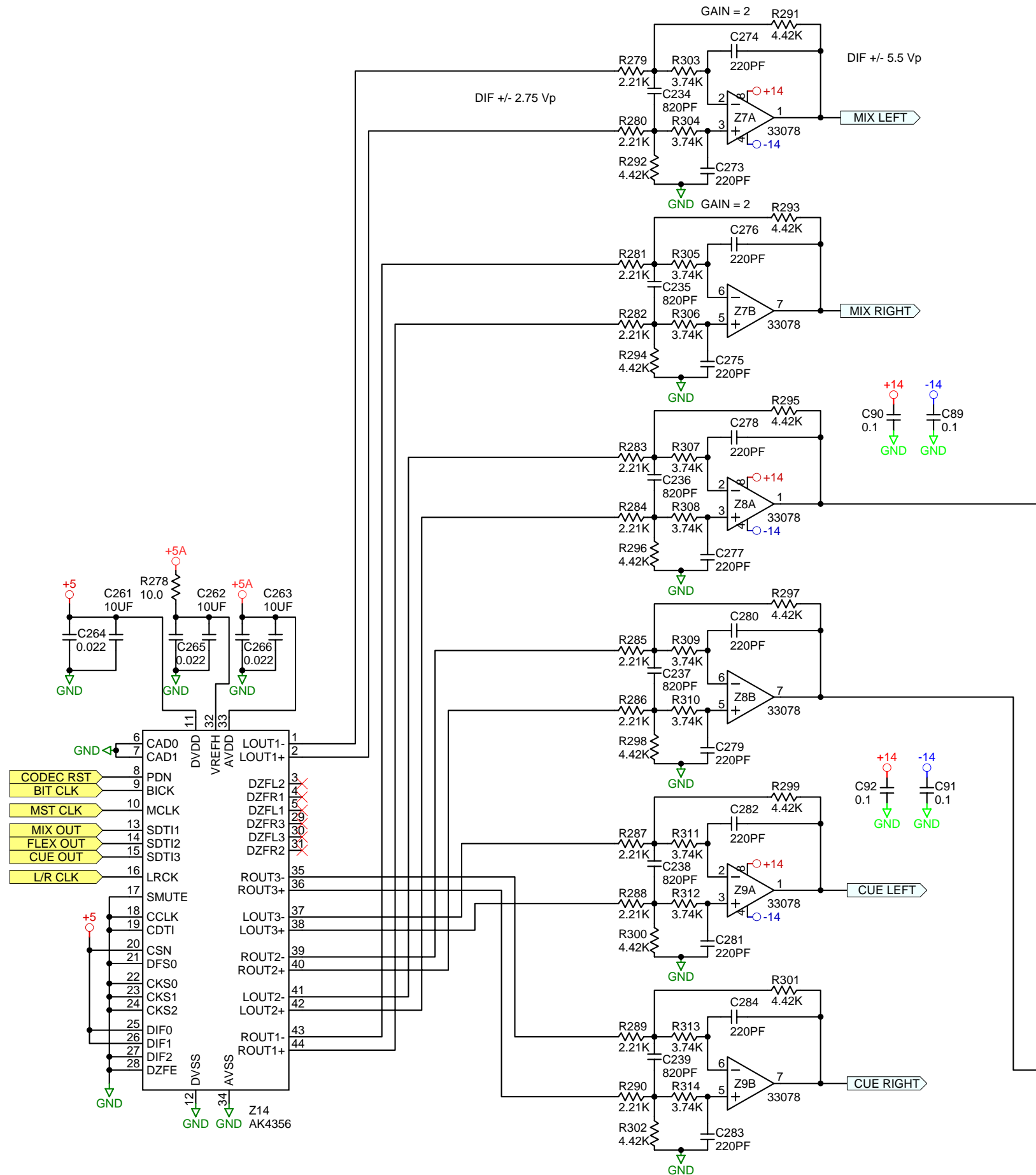


AUX TTM57SL

10802 47th Avenue West  
Mukilteo WA 98275-5098

SHEET:  
2 of 4

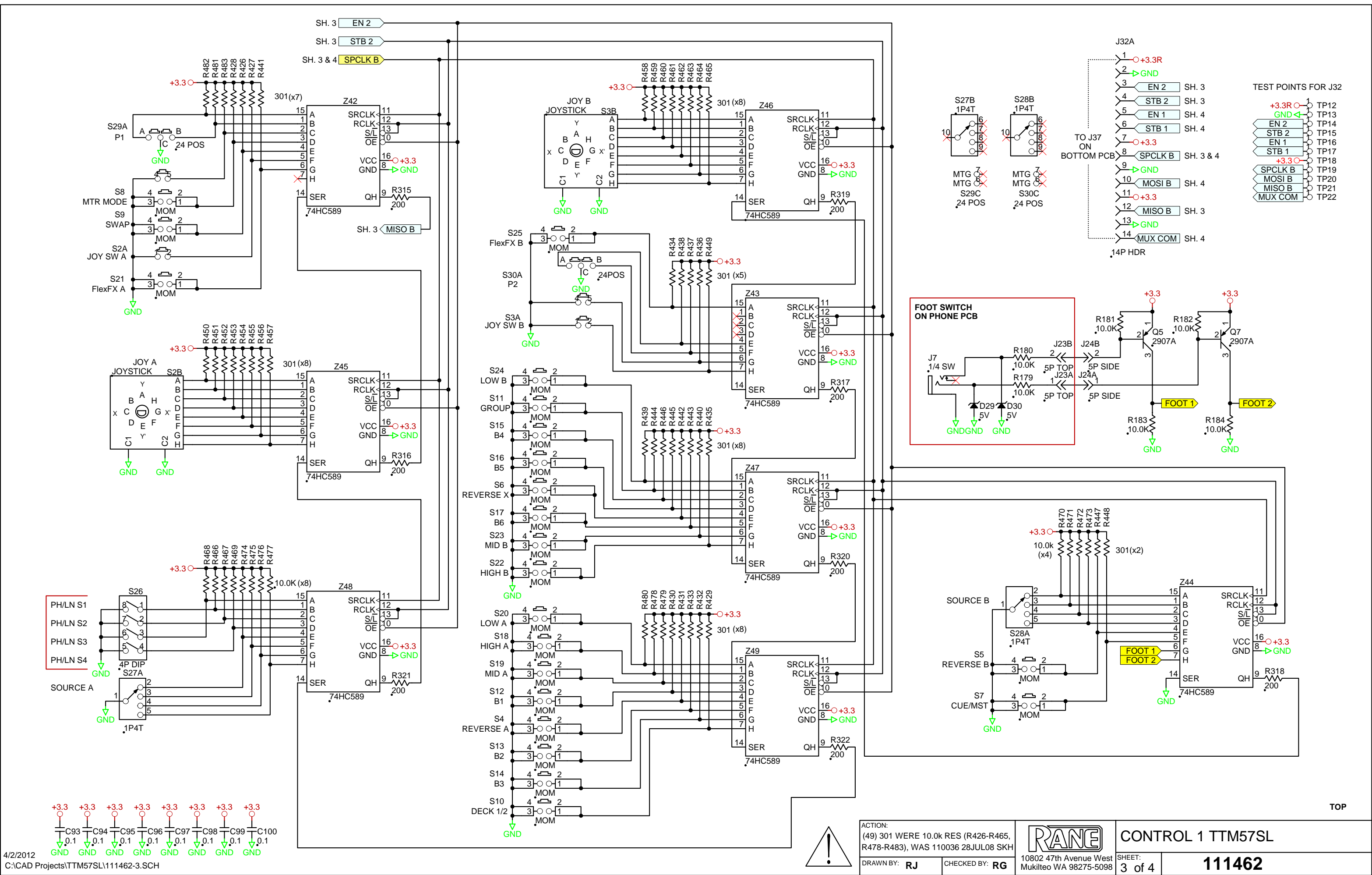
111462



BOTTOM

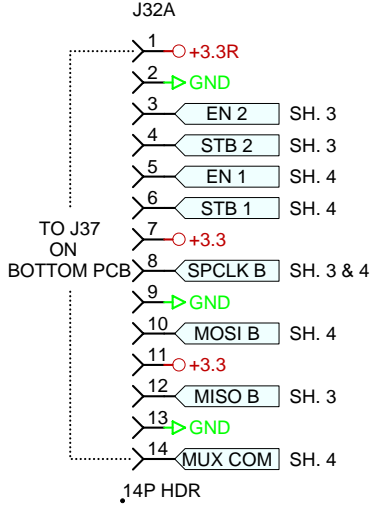
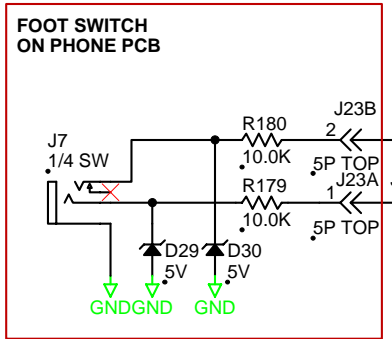


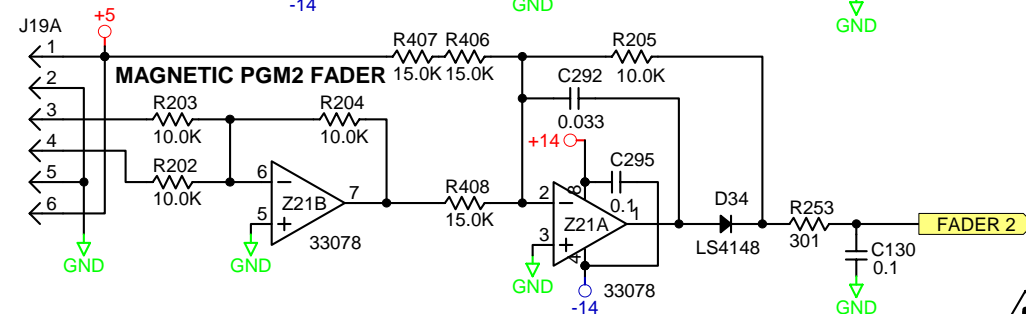
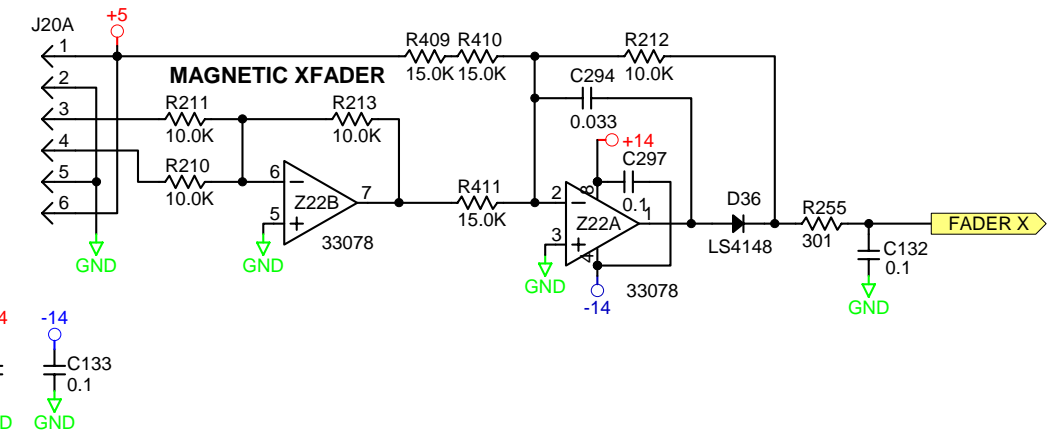
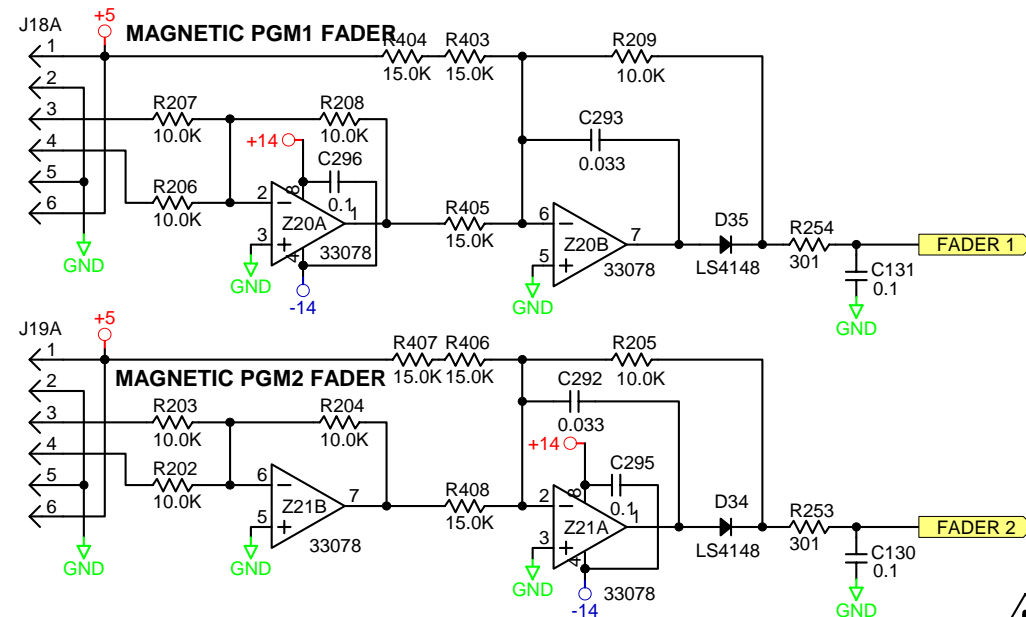
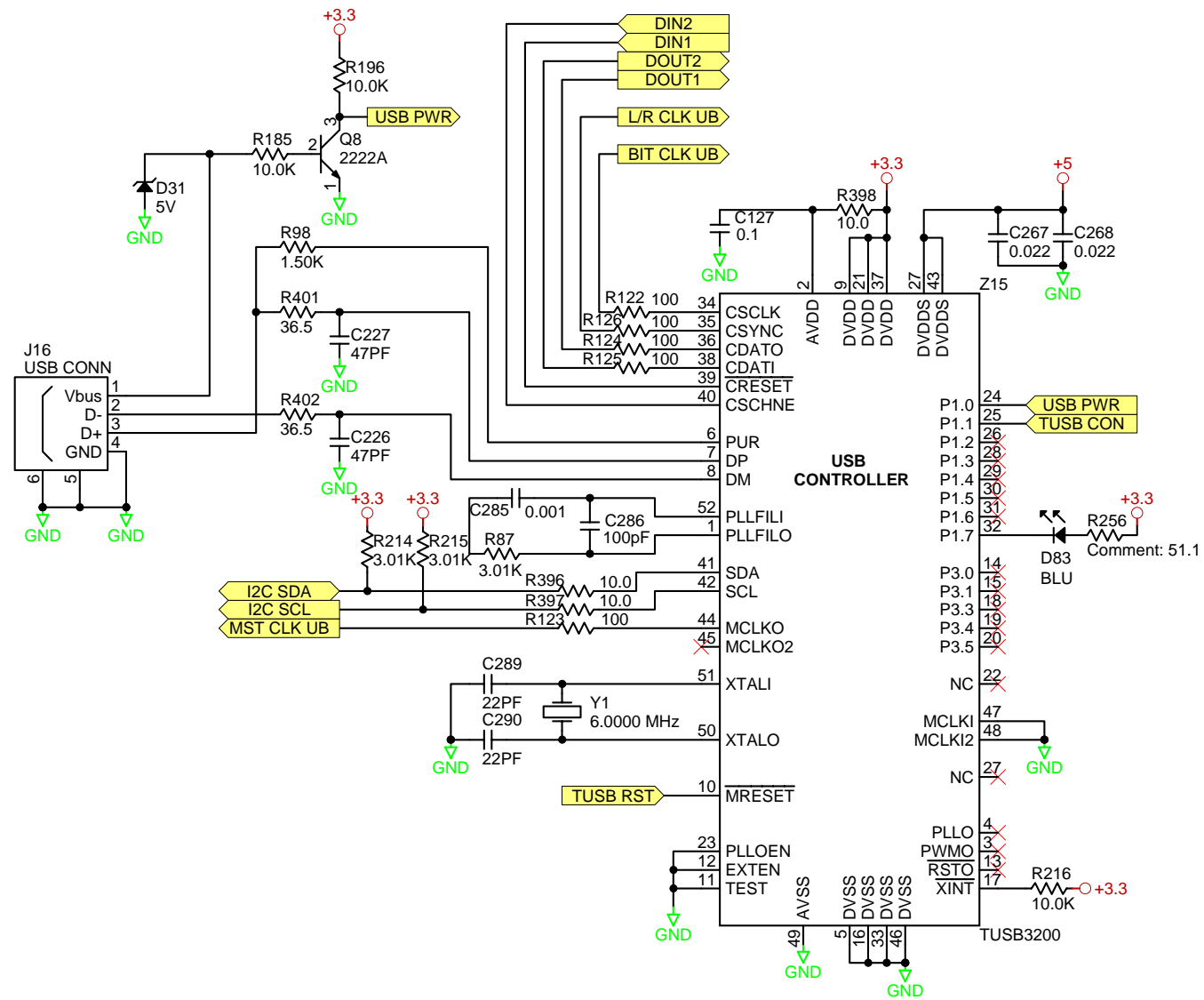
ACTION:		NO CHANGE THIS SHEET WAS 109544 RWJ 15DEC06			<b>DAC TTM57SL</b>
DRAWN BY:	RJ	CHECKED BY:	RG		
				SHEET:	110272
				2 of 5	



TEST POINTS FOR J32

TP12	+3.3R
TP13	GND
TP14	EN 2
TP15	STB 2
TP16	EN 1
TP17	STB 1
TP18	+3.3
TP19	SPCLK B
TP20	MOSI B
TP21	MISO B
TP22	MUX COM

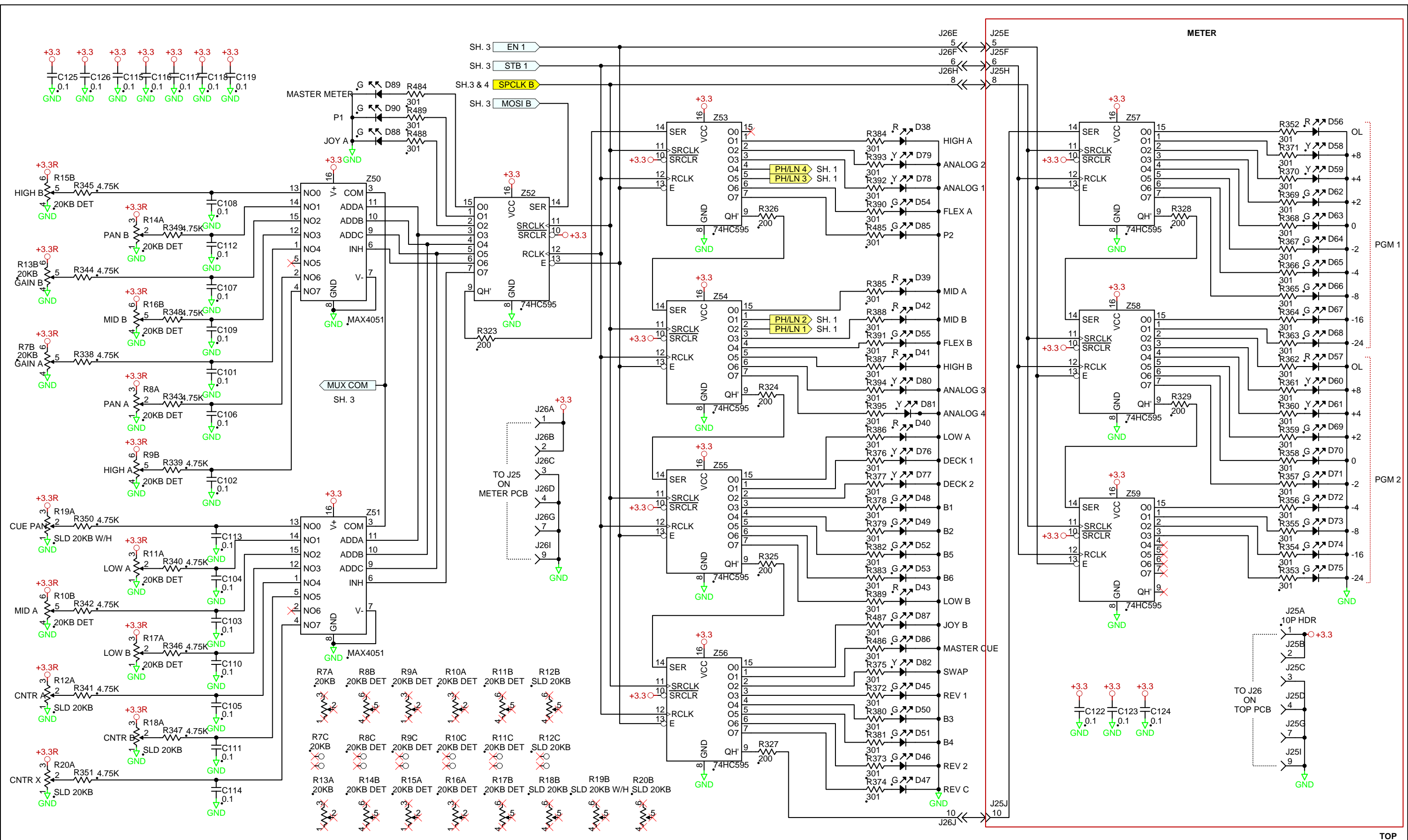




BOTTOM



ACTION:		R256 WAS 301 OHM WAS 109544 RWJ 15DEC06			<b>DIGITAL TTM57SL</b>	
DRAWN BY:	CHECKED BY:	RJ	RG			10802 47th Avenue West Mukilteo WA 98275-5098
					<b>110272</b>	



ACTION:  
NO CHG THIS SHEET,  
WAS DOC 110036, 28JUL08 SKH  
DRAWN BY: **RJ** CHECKED BY: **RG**

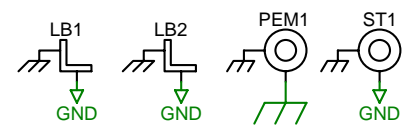
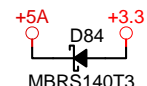
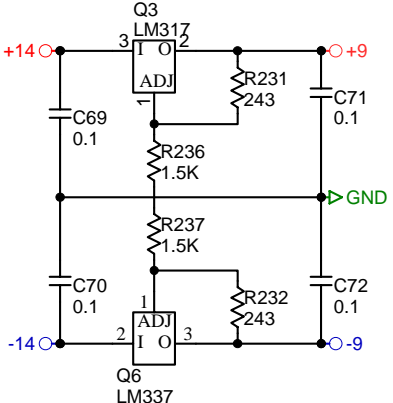
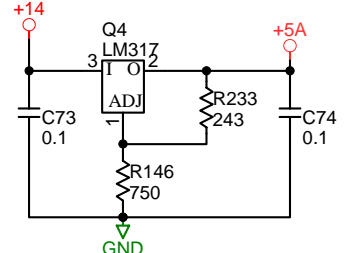
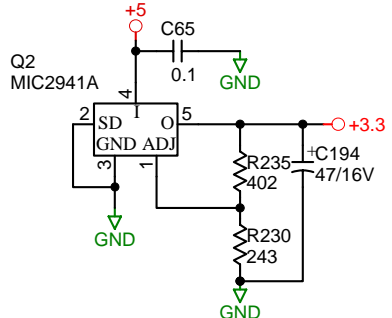
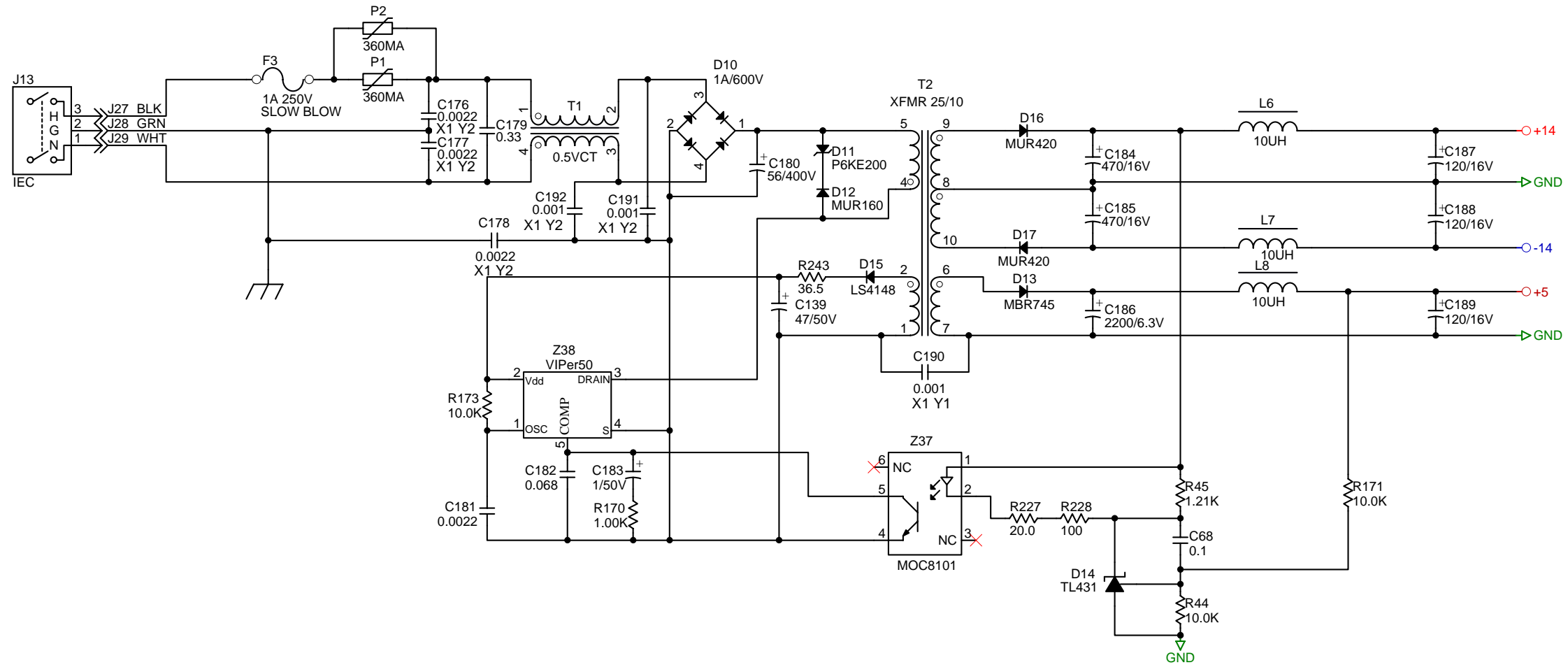


CONTROL 2 TTM57SL  
SHEET: 4 of 4  
111462

PGM 1

PGM 2

TOP



BOTTOM

Text



ACTION: NO CHANGE THIS SHEET WAS 109544 RWJ 15DEC06			<b>PWR SUP TTM57SL</b>
DRAWN BY: RJ	CHECKED BY: RG		
C:\CAD Projects\TTM57SL\110272-5-302\2012			SHEET: 5 of 5    110272