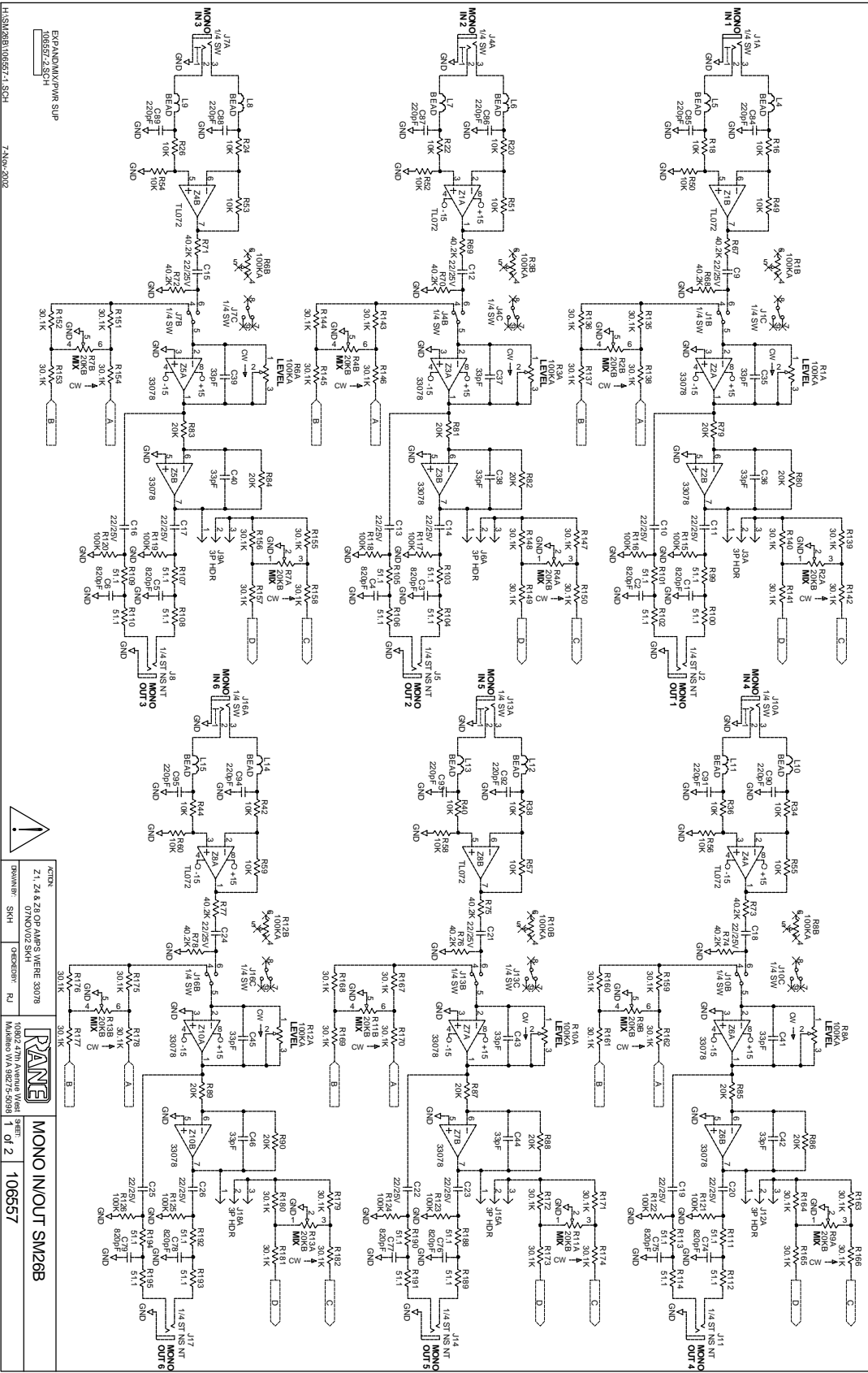


Rane Corp. (425)355-6000
 105883 DES SM26B
 ACTION: NEW LAYOUT SKH 19JUN02



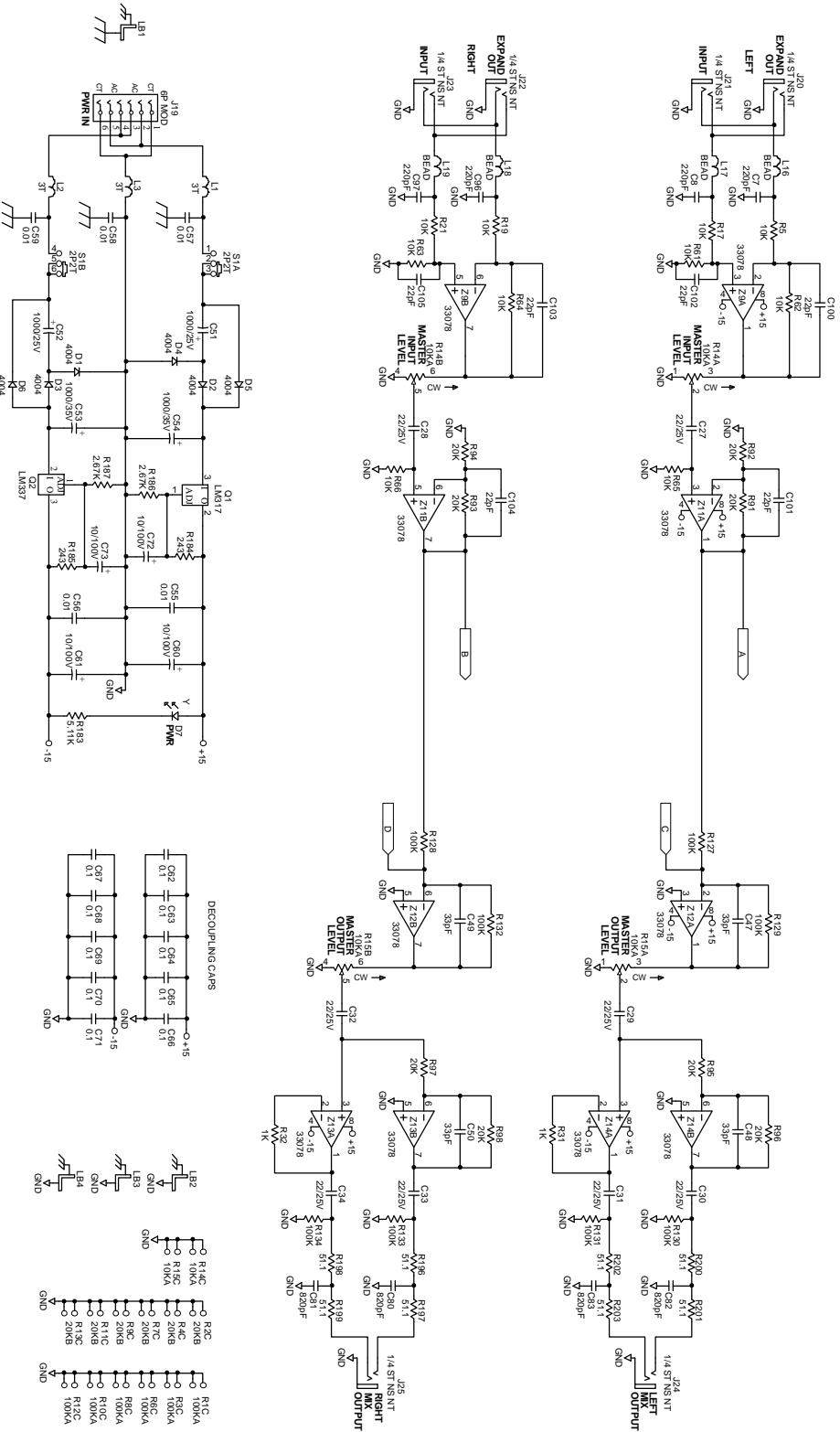
EXPAND/MIX/PWR SUP
1065572.SCH

7-Nov-2002



FCOM	Z1,Z4,Z3 OP AMPS W/RE 33078
TRANSIMP	SMH
CREATEDBY	RU
DATE	10/02/27th Avenue W/est
MARKED BY	WA 58275-5898
SHEET	1
OF	2
106557	

MONO IN/OUT SM26B



	ACTION DRAWN BY: SKM CHECKED BY: RU 10802 27th Avenue West Tukwila WA 98175-2898	SHEET: 2 of 2 EXPAND/MIX/PWR SUP SM26B 106557
--	----------------------------------------------------------------------------------------------	-----------------------------------------------------