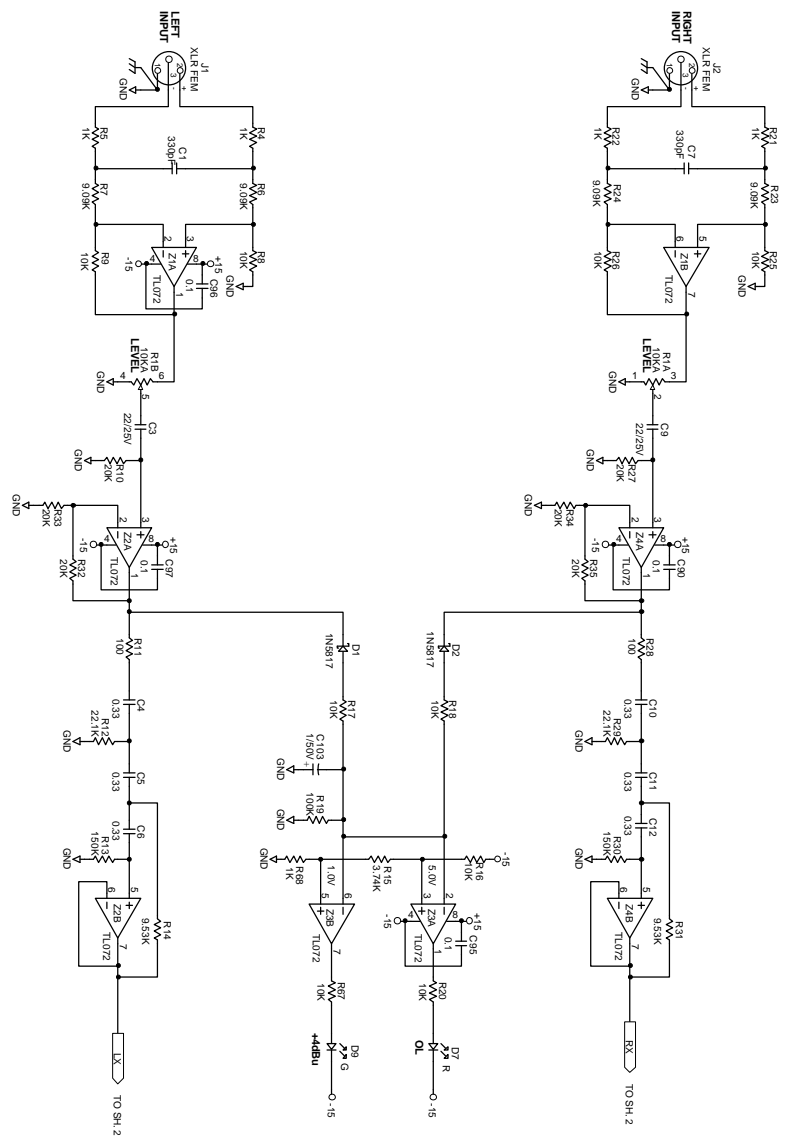


NOTES (UNLESS OTHERWISE SPECIFIED):
 1. ALL SWITCHES SHOWN IN THEIR OUT OR OFF POSITION.

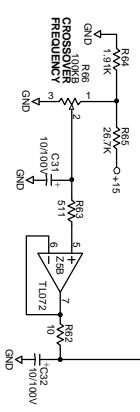
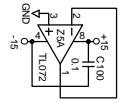
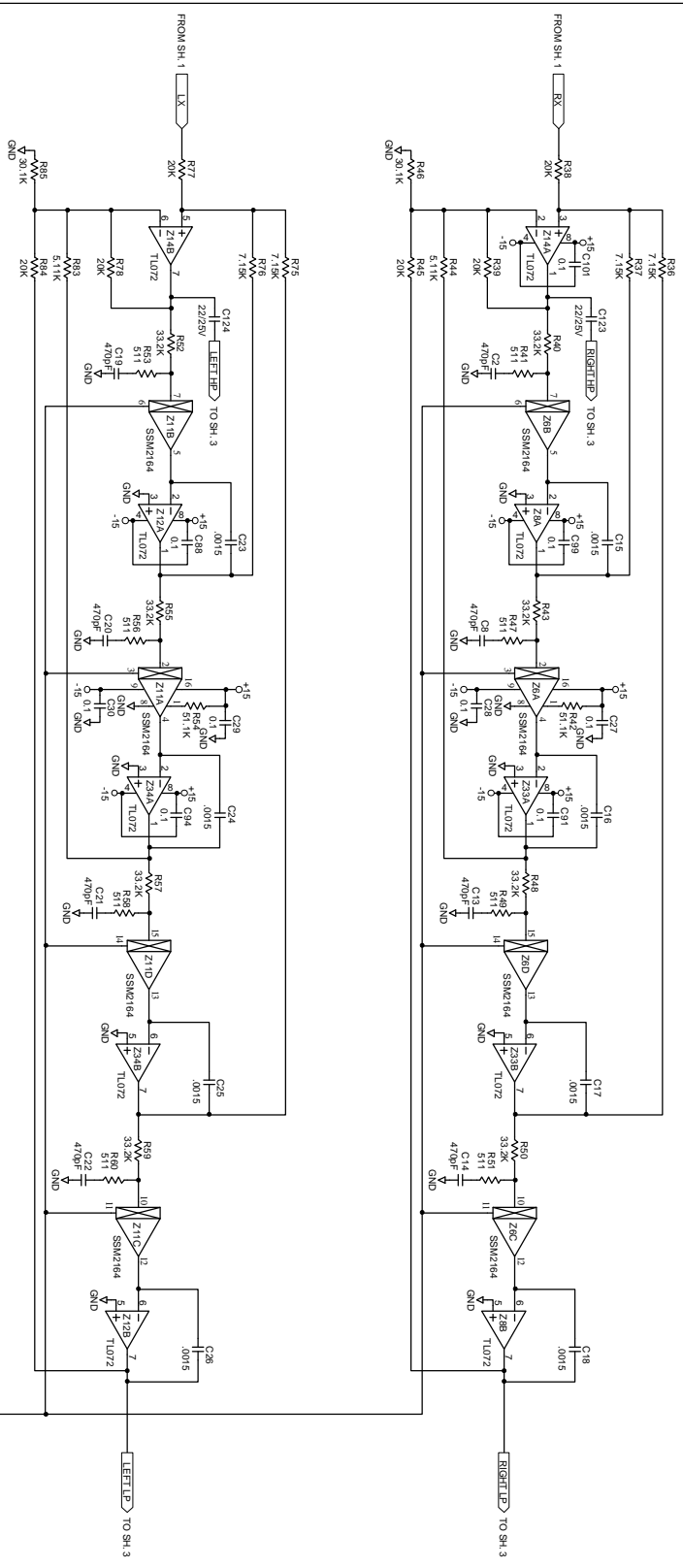


CROSSOVER LOWPASS OUT HIGH PASS SUP

CROSSOVER
 LOWPASS OUT
 HIGH PASS SUP



ACTOR	DRUMMER	INAKM	CROSSOVER	RMVJ
-------	---------	-------	-----------	------



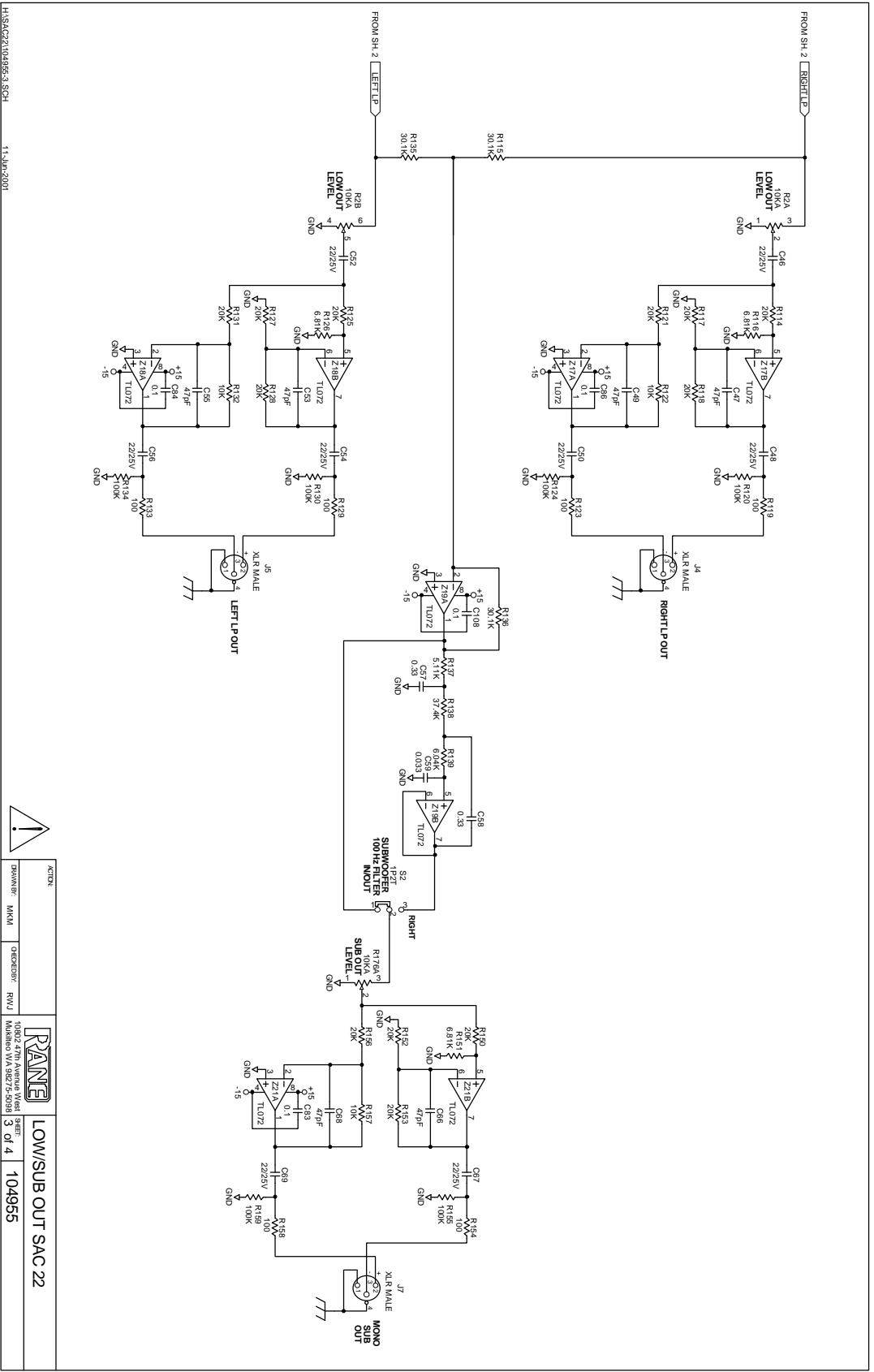
VOLTAGE RANGE = -90V ~ +0V
 FREQUENCY RANGE = 100Hz ~ 3.2kHz



ACTION	REVISION	DATE	BY	CHKD	DESCRIPTION

RYANE CROSSOVER SAC 22

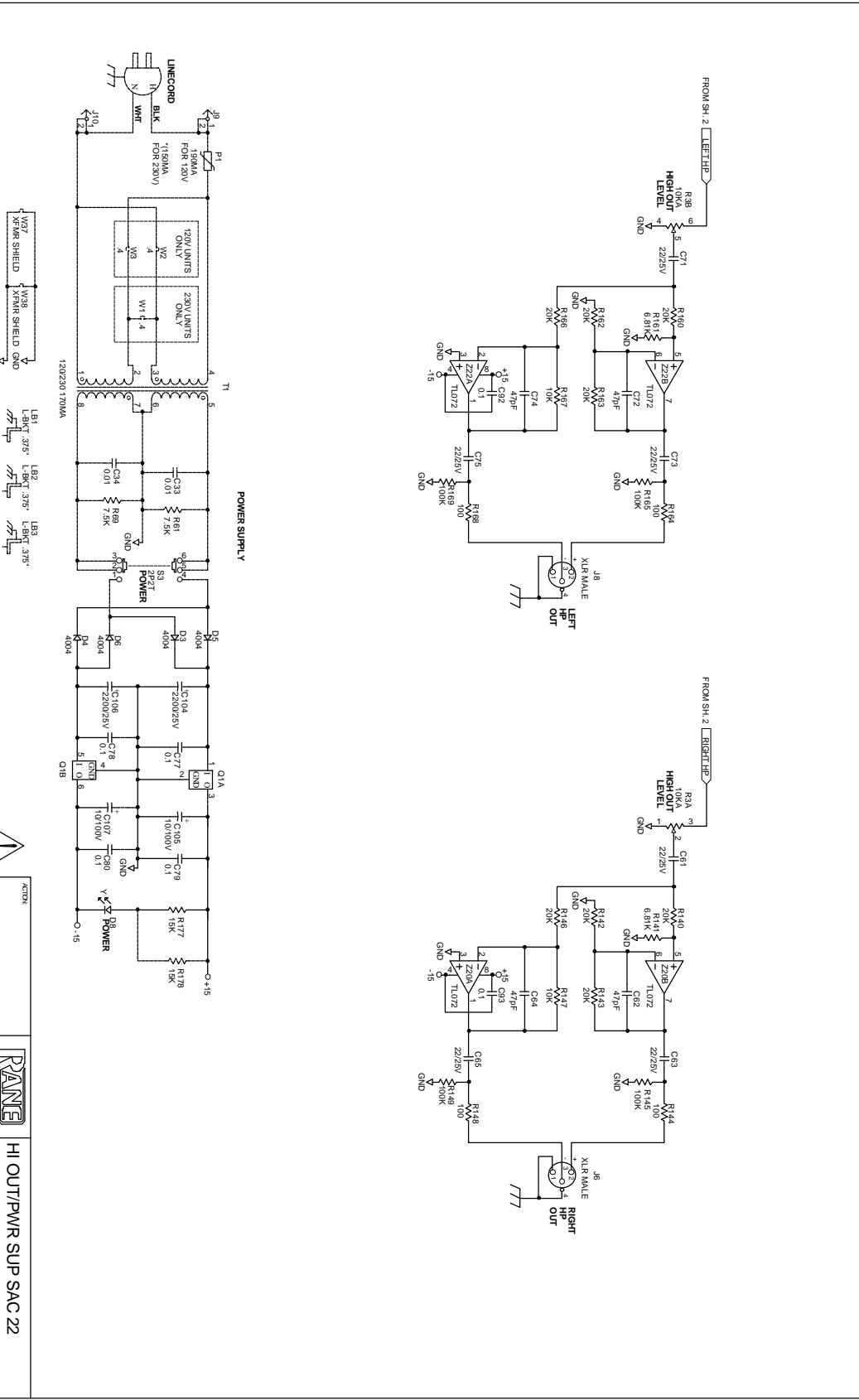
10802 47th Avenue West
 Hudsons VVA 58275-5898
 SHEET 2 of 4 104955



H:\SAC\21\104955_3.SCH 11-Jun-2001



ACTION	REVISED	DATE	BY
DESIGNED	AKM	CHECKED	RVL
PANE			
1082 27th Avenue West			
MARIETTA, GA 30067			
SHEET 3 OF 4			
LOW/SUB OUT SAC 22			
104955			



DATE	11-Jun-2007
DESIGNED BY	MANI
CHECKED BY	RVI
10802 47th Avenue West	
IRVING, TX 75039-2399	
SHEET	4 OF 4
PROJECT	104955

HI OUT/PWR SUP SAC 22