

**General Description**

The RS 1 Remote Power Supply is a general purpose AC to AC adapter designed to power any Rane products equipped with red AC remote power mod jacks. And since the output voltage is classified as safety extra-low voltage, then all units powered from this unit are exempt from safety agency approval requirements.

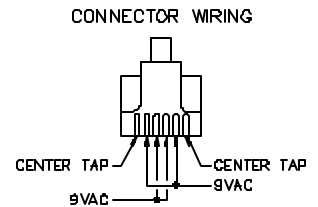
The table-top design of the RS 1, along with a 2 meter line cord and the 2 meter output cable, allows it to be installed in any convenient location away from the powered unit and the AC outlet strip. Convenient mounting tabs are integral to the rugged high impact housing. Tip: RS 1's mount diagonally on standard EIA rack spacing (4").

**Daisy chaining Precautions:** Daisy chaining is acceptable only where *balanced wiring is used exclusively* (see the Flex

User's Guide for more details), and the total current demand of all products being powered does not exceed the maximum output current rating.

The connector wiring (see diagram) of the RS 1/RS 2 allows for easy daisy chaining. Plug a 6-wire modular wye adaptor (male to 2 females) into the first product to be powered. Connect the RS 1/RS 2 output cable into one side of this adaptor, and then use another 6-wire mod cable from the other side of the adaptor to the next unit to be powered.

**IMPORTANT: BOTH THE ADAPTOR AND THE CABLE MUST BE 6-WIRE; 4-WIRE VERSIONS WILL NOT WORK.**



**Caution—Thermal Switch Resetting**

If the thermal protection switch is activated (due to short circuit, etc.):

1. Remove the AC mains power.
2. Wait 15 minutes for the thermal switch to reach ambient temperature and reset itself.
3. Reapply AC mains power.

**Caution—**Damage to the power supply *will occur* if this supply is plugged into older Rane products with DC (black color) power jacks. Use only with AC (red color) power jacks.

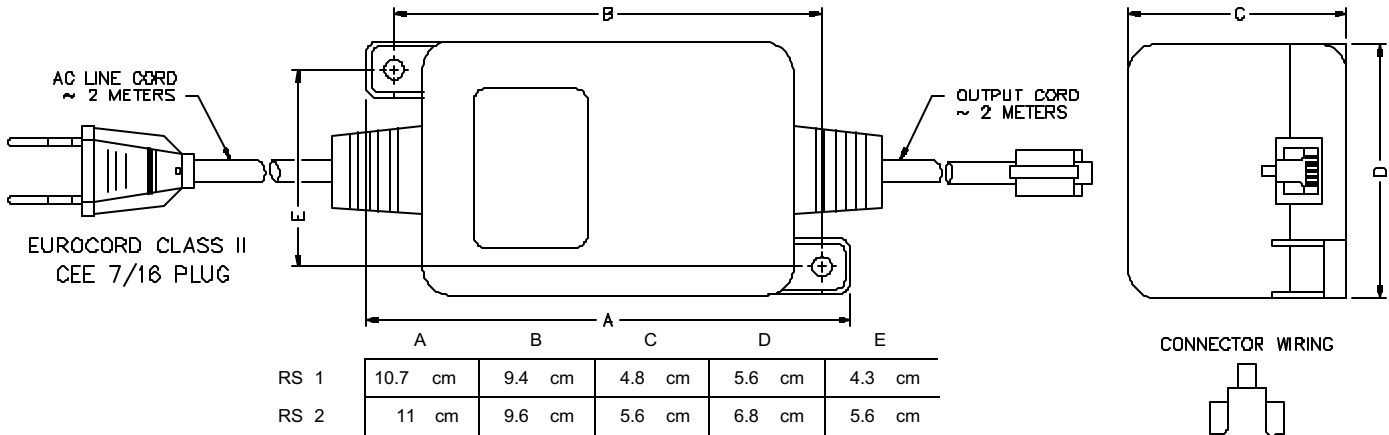


Parameter	Specifications	Limit	Units	Conditions/Comments
Output Voltage	18 CT (center-tap: 9+9)	10%	VAC	Rated Load, 120VAC line
Maximum Output Current	750/1500	+10%	mA	RS 1/RS 2
Max/Min Output Voltage	23.3 CT/16.2 CT	10%	VAC	No-Load/Full-Load, ±10% Line
Input Cord	2-Wire, 2-Prong AC Line Cord			18 AWG, 6 Feet Long
Output Cord	6-Wire Modular RJ-12 Plug			26 AWG, 6 Feet Long
Safety Agency				Class 2 Transformer
.....U.L. Listed	E90493 & E88261			U.L. 1012
.....C.S.A. Certified	LR91687 & LR58948			C.S.A. C22.2 No. 223
Maximum Power	25/46.5		W	RS 1/RS 2
Line Voltage	105-130VAC, 50/60Hz			
Enclosure	Black High Impact Plastic			With Integral Mounting Tabs
Weight	1.5 lb/2.0 lb			(0.7 kg/0.9 kg) RS 1/RS 2

# RS 1/RS 2

## 230 VAC REMOTE POWER SUPPLIES

Professional Audio Products Data Sheet

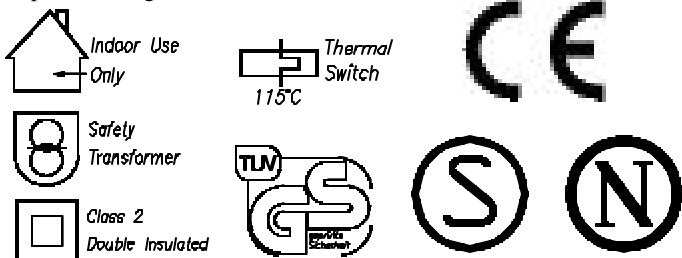


### General Description

The RS 1/RS 2 Remote Power Supply is a general purpose AC to AC adapter designed to power any Rane products equipped with red AC remote power mod jacks. The RS 1 and RS 2 meet the EN 60950 Safety Standard and comply with the European EMC directive 89/336/EEC. And since the output voltage is classified as safety extra-low voltage, then all units powered from this unit are exempt from safety agency approval requirements.

The 230VAC version of the RS 1/RS 2 comes from the factory with an integral mounted Eurocord.

The table-top design of the RS 1/RS 2, along with the two meter line cord and the two meter output cable, allows installation in any convenient location away from the powered unit and the AC outlet strip. Convenient mounting tabs are integral to the rugged high impact housing.



**Daisy chaining Precautions:** Daisy chaining is acceptable only where *balanced wiring is used exclusively* (see the Flex User's Guide for more details), and the total current demand of all products being powered does not exceed the maximum output current rating.

The connector wiring (see diagram) of the RS 1/RS 2 allows for easy daisy chaining. Plug a 6-wire modular wye adapter (male to 2 females) into the first product to be powered. Connect the RS 1/RS 2 output cable into one side of this adapter, and then use another 6-wire mod cable from the other side of the adapter to the next unit.

**IMPORTANT: BOTH THE ADAPTER AND THE CABLE MUST BE 6-WIRE; 4-WIRE VERSIONS WILL NOT WORK.**

#### Caution—Thermal Switch Resetting

If the thermal protection switch is activated (short circuit, etc.):

1. Remove the AC mains power.
2. Wait 15 minutes for the thermal switch to reach ambient temperature and reset itself.
3. Reapply AC mains power.

**Caution—**Use only with Rane products with AC (red color) power jacks. Damage *will occur* into older DC (black color) power jacks.

**Finnish Note:** Laitteen verkkoliitantomto ei voi vaihtaa johdon viottuessa on koko verkkomuuntaja johtoineen vaimdettava uuteen.

**Swedish Note:** Anslutningssladden till denna transformator kan icke ersattas. Om sladden skadas skall darfor transformatorn kasseras.

Parameter	Specifications	Limit	Units	Conditions/Comments
Output Voltage	2x9 CT (center-tap: 9+9)	10%	VAC	Rated Load, 230 VAC line
Maximum Output Current	750/1500	+10%	mA	RS 1/RS 2
Max/Min Output Voltage	23.3 CT/16.2 CT	10%	VAC	No-Load/Full-Load, ±10% Line
Input Cord	Class II, CEE 7/16			Eurocord, 2 Meters Long
Output Cord	6-Wire Modular RJ-12 Plug			26 AWG, 2 Meters Long
Safety Agency				Class II Transformer
.....EMC	European Directive 89/336/EEC			E1 and E2 Environments
.....IEC	Meets EN 60950 Standard			TUV Approved With GS Mark
.....Scandinavian	Approved Semko, Nemko			
Maximum Power	20/46.5		W	RS 1/RS 2
Line Voltage	190-250 VAC, 50 Hz			
Enclosure	Black High Impact Plastic			With Integral Mounting Tabs
Weight	0.7 kg/0.9 kg			RS 1/RS 2