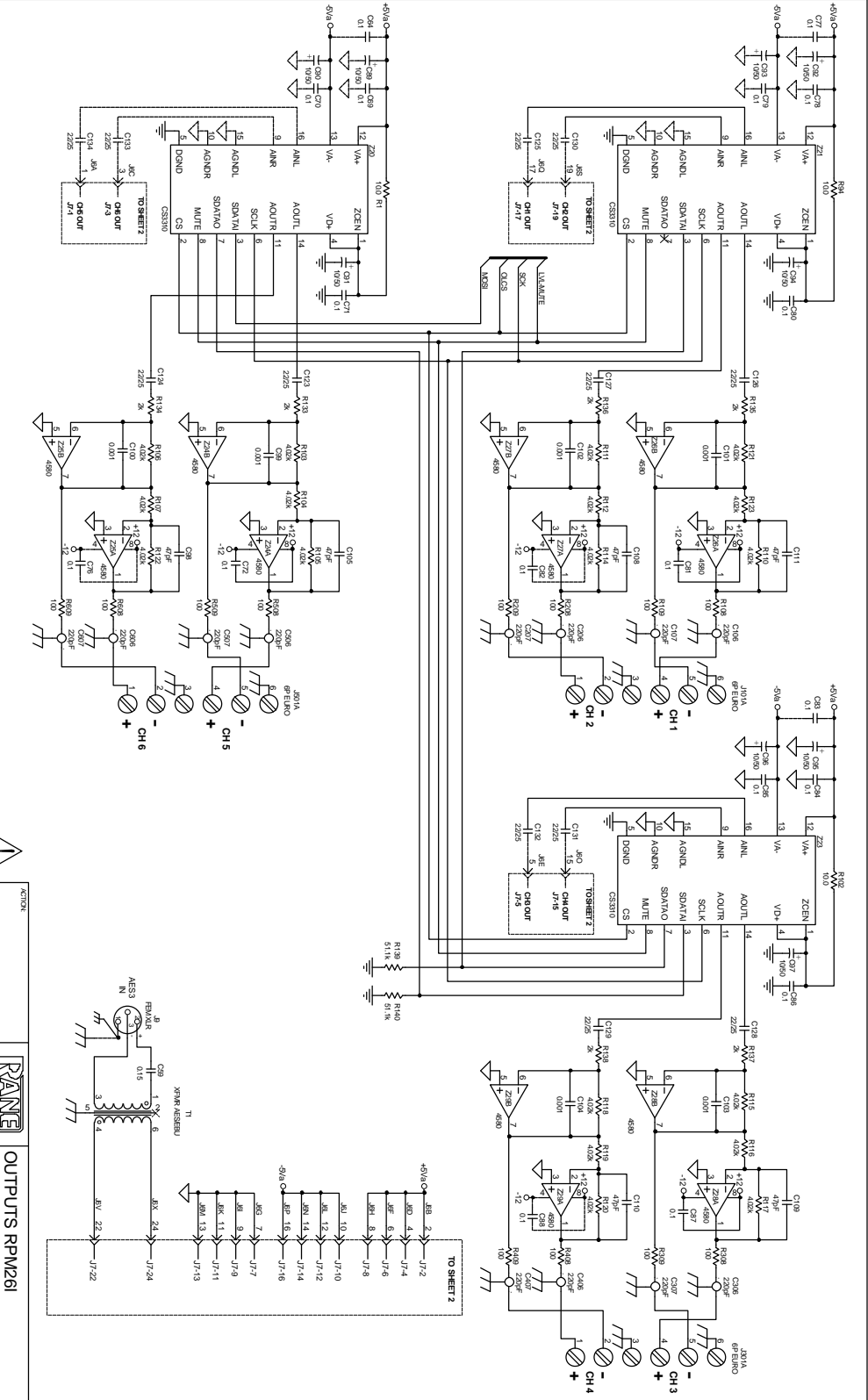
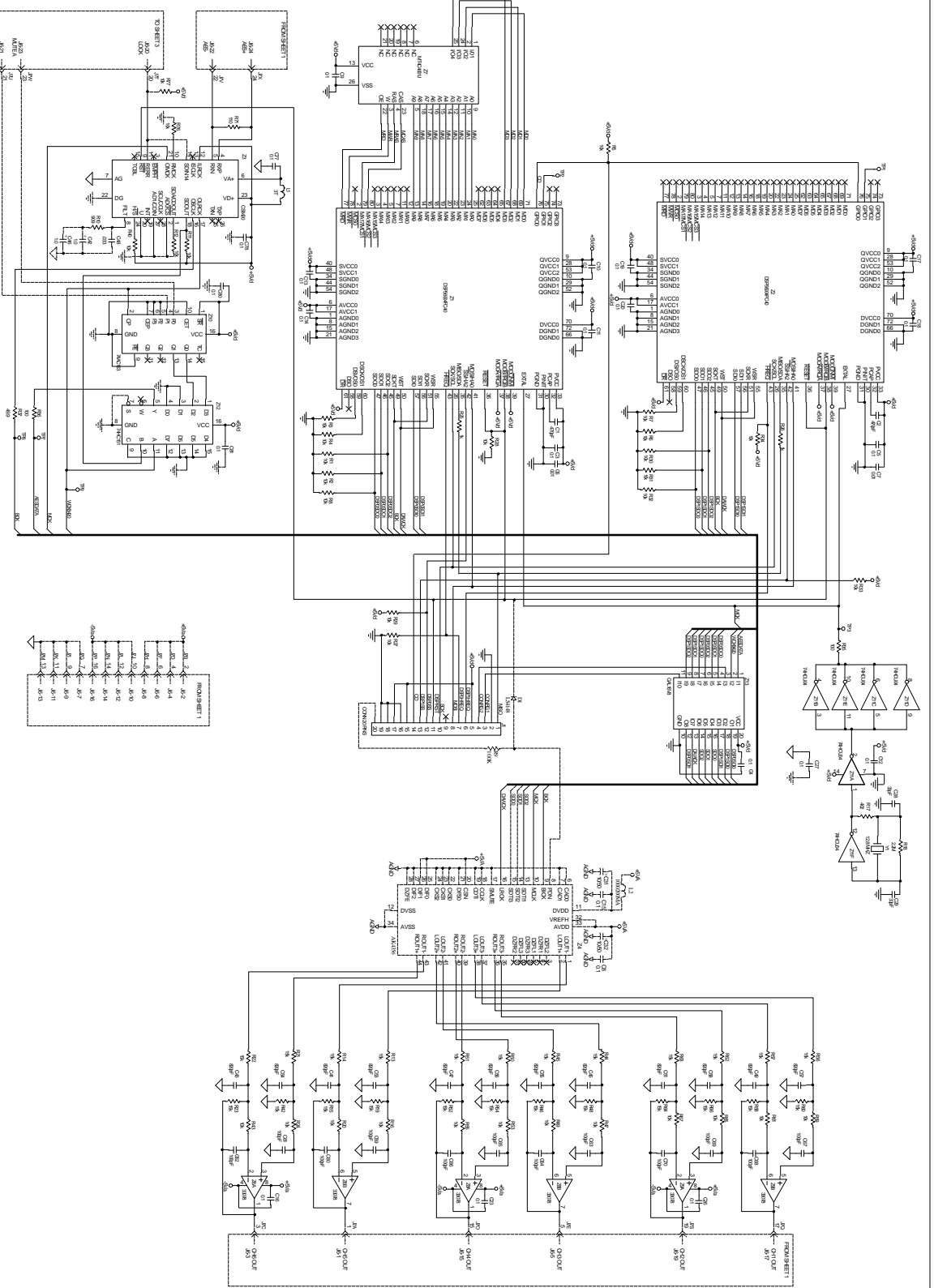


Rane Corp. (425)355-6000
 103944 DES DSP RPM26i SHEET 1 OF 2
 ACTION: NEW PRODUCT, SKH 24FEB00

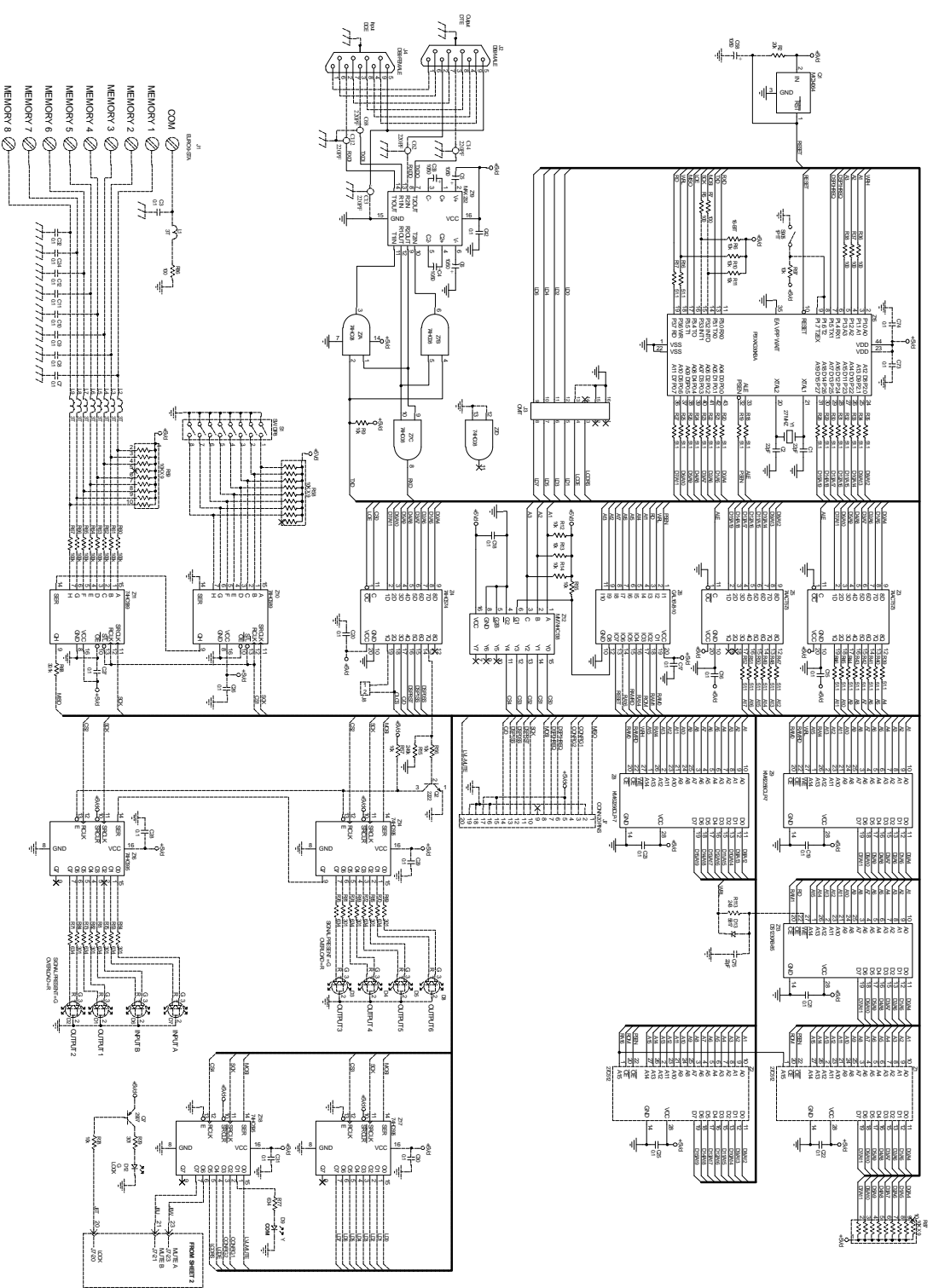


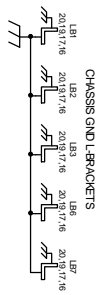
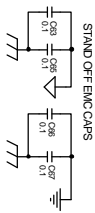
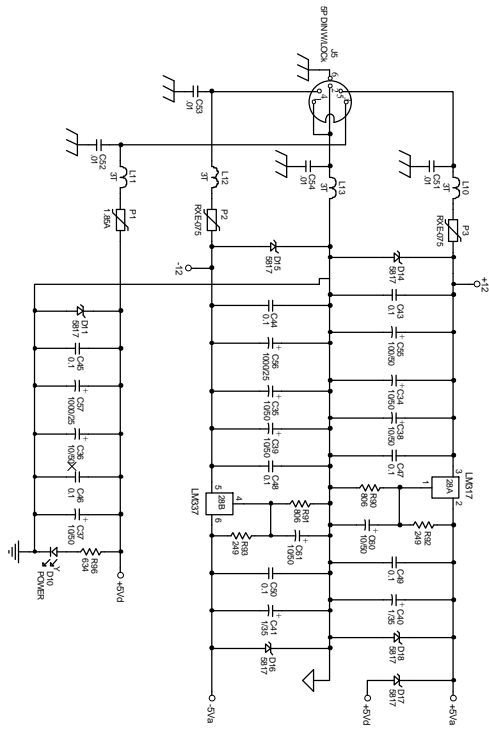
MICROCONTROLLER BOARD-PC530
POWER SUPPLY BOARD-PC530

ACTOR
DRAWN BY: SH4
CHECKED BY: NSM



 PANE	DESIGN DRAWING: DC CHECKED BY: HSM MANUFACTURED BY:	DSP RM261	SHEET 4 104275
---	--	------------------	-------------------





ACTION		DRAWN BY: SMH		CHECKED BY: RSM			POWER SUPPLY RPM261 SHEET 4 OF 4 104275

10902 47th Avenue West
 Mapleton WA 98275-5088