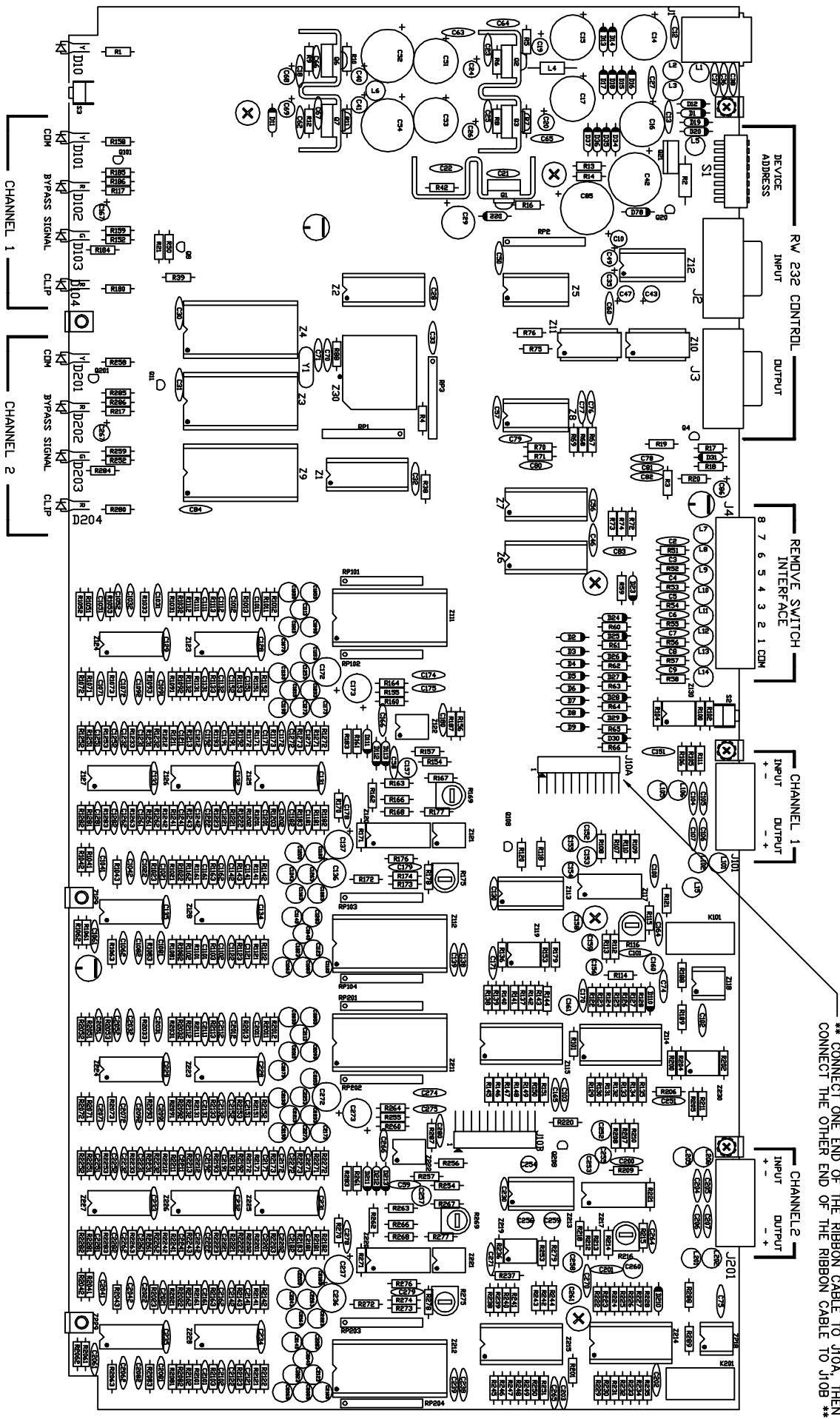
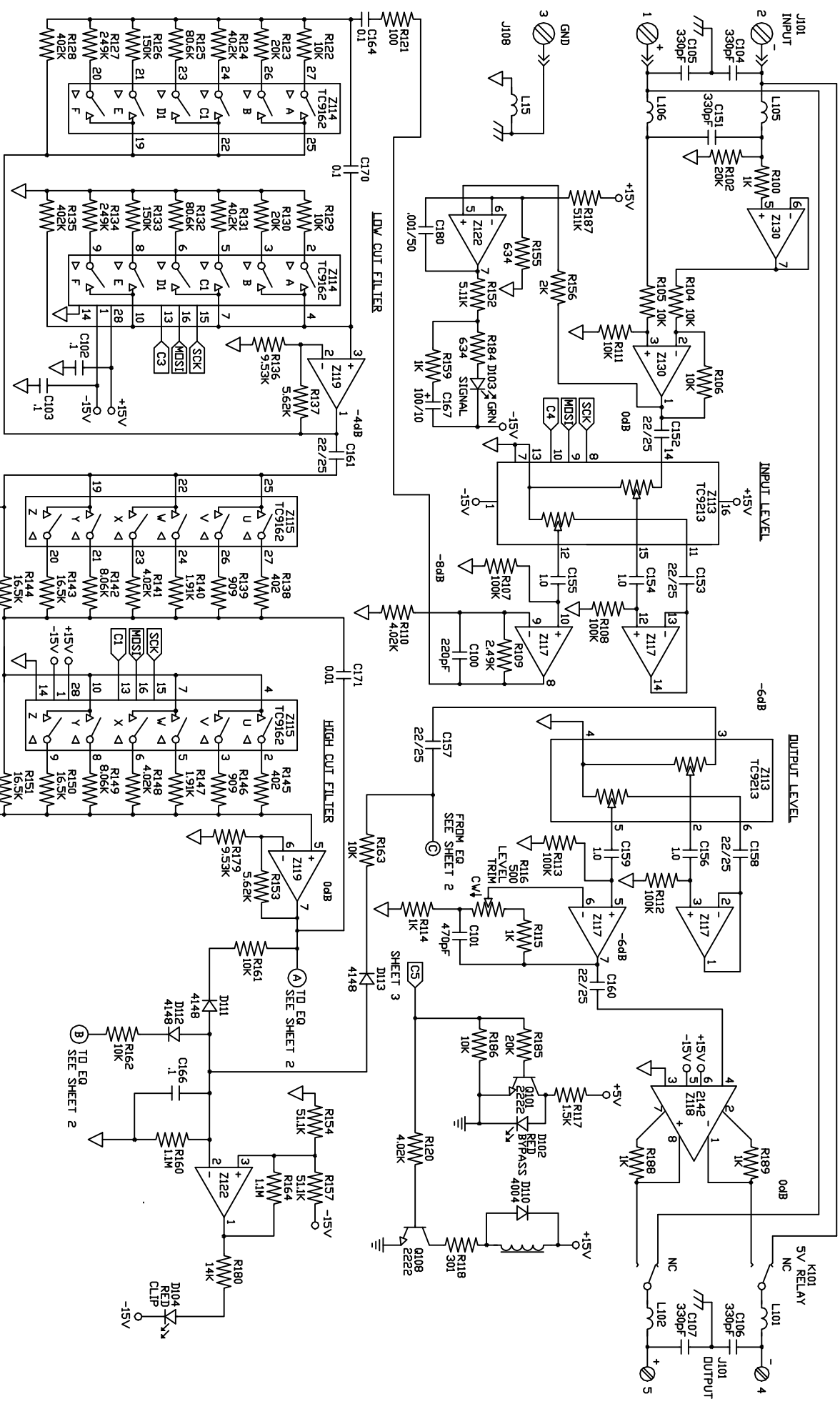


\*STATIC SENSITIVE BOARD\*  
 \*USE (PINK) ANTI-STATIC BAGS!!\*  
 \*YOU MUST BE GROUNDED!!\*

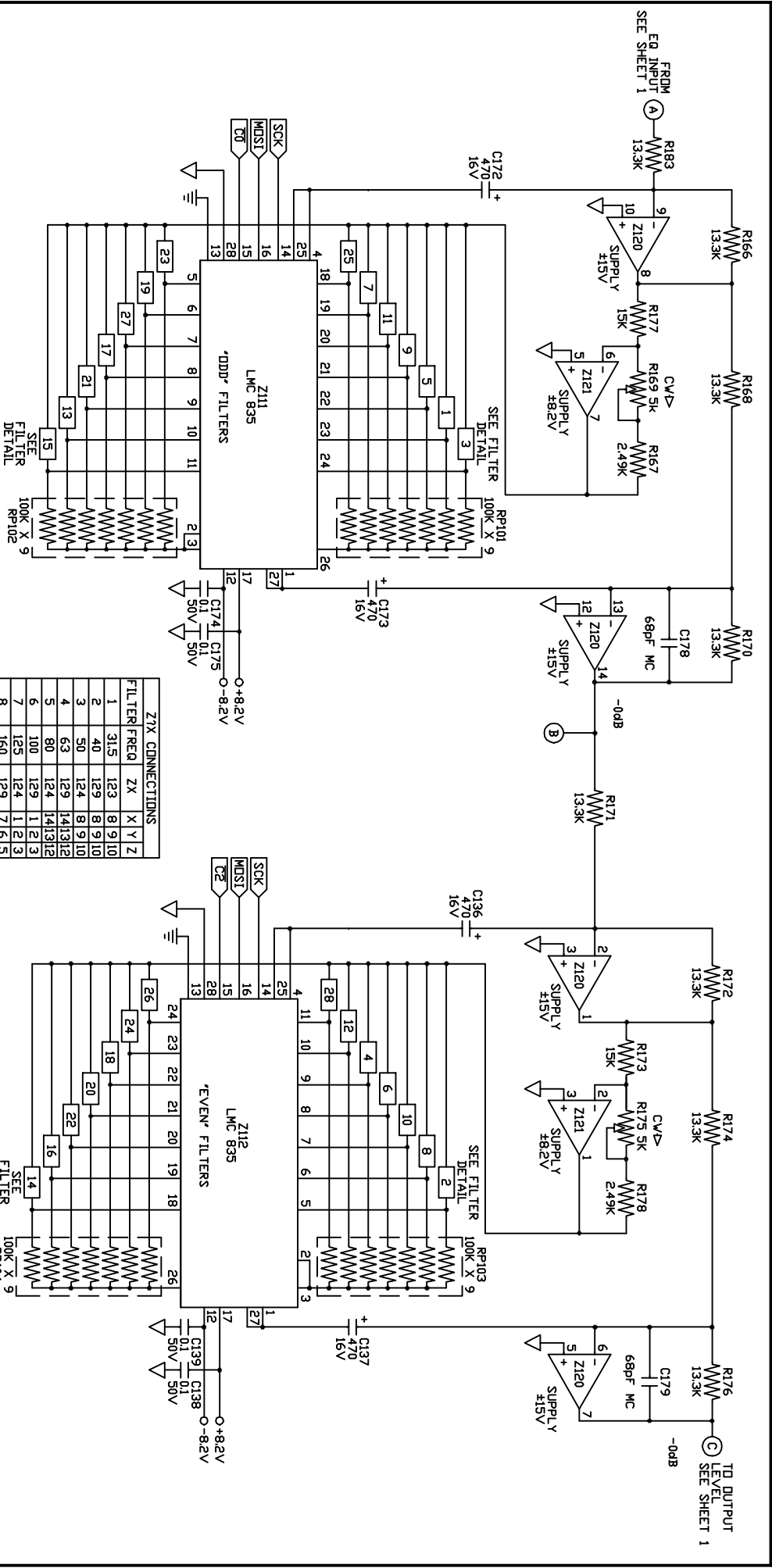




NOTES (UNLESS OTHERWISE NOTED)

1. ALL RES 1/4W, 1%, METAL FILM.
2. POWER SUPPLY CONNECTIONS: ALL IC'S CONNECTED WITH +5V SUPPLIES POS SUP NEG SUP
3. ALL SVCS SHOWN IN THEIR 'OUT' OR 'OFF' POSITION
4. ALL CAPS 100V POLY FILM (MIN PDLAR)

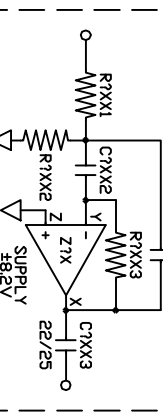
DIGITAL		ANALOG	
Z#	IC'S	Z#	ZXXX CH2 (IF NEG 228)
Z1	74HC573	Z111, Z112	
Z2	16C8	Z114, Z115	= LMC835
Z3, Z9	29Z9	Z116	= 9162
Z4	28C64	Z117, Z118	= 4574
Z5, Z6, Z7	66C64	Z119, Z120	= 4574
Z8	74HC574	Z121, Z130	= 4570
Z9	74HC244	Z122-3, Z129	= DP11
Z10	MAK232	Z122	= TL072
Z11	74HC241	Z119	= DPA2604
Z20	68HC11		
Z30	8MHz OSC		



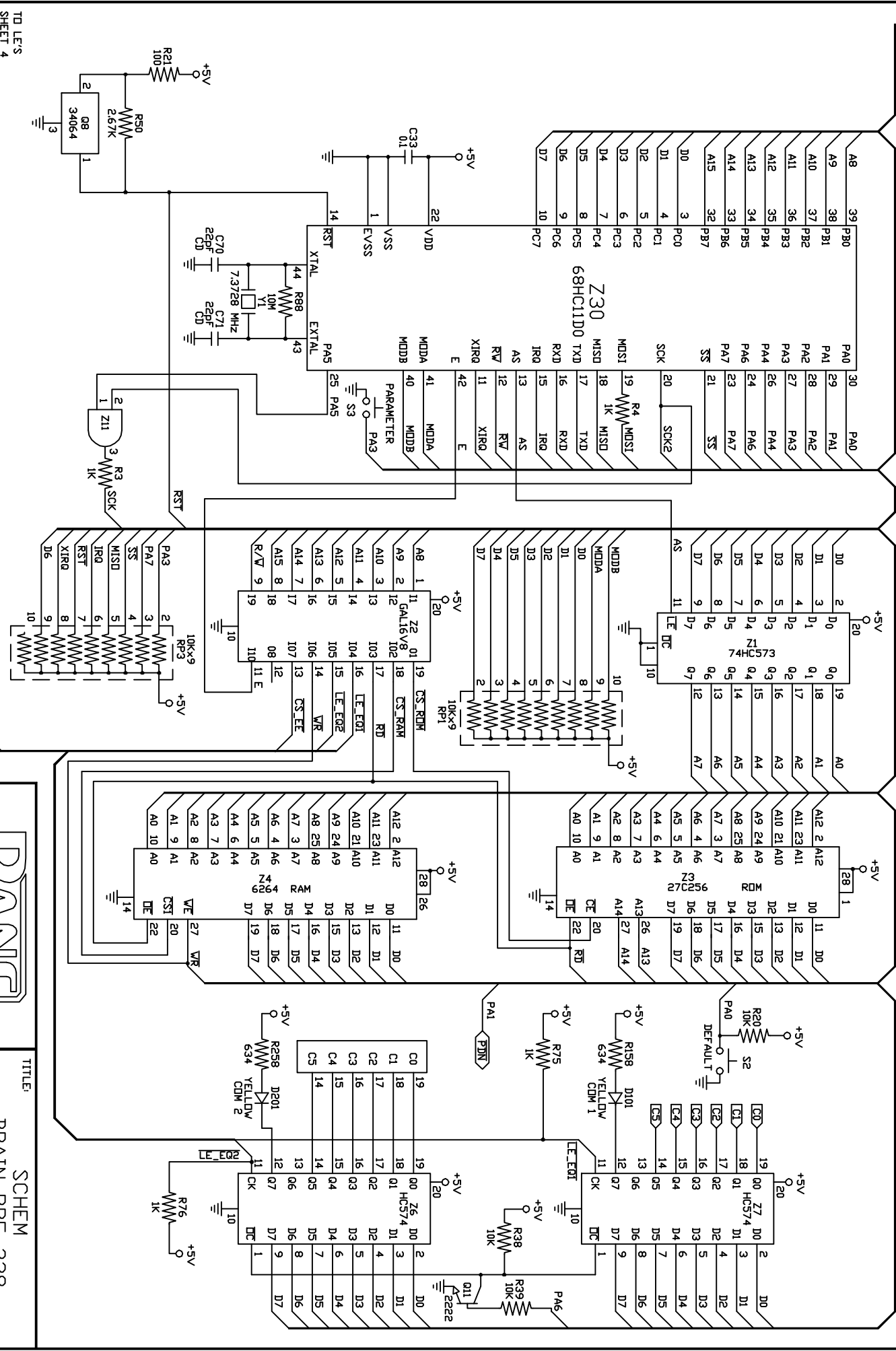
Z1X CONNECTIONS

FILTER FREQ	ZX	X	Y	Z	
1	315	123	8	9	10
2	40	129	8	9	10
3	50	124	8	9	10
4	63	129	14	13	12
5	80	124	14	13	12
6	100	129	1	2	3
7	125	124	1	2	3
8	160	129	7	6	5
9	200	124	7	6	5
10	250	128	1	2	3
11	315	123	14	13	12
12	400	128	7	6	5
13	500	123	1	2	3
14	630	128	8	9	10
15	800	123	7	6	5
16	1k	128	14	13	12
17	1.25k	125	14	13	12
18	1.6k	126	7	6	5
19	2k	126	8	9	10
20	2.5k	125	1	2	3
21	3.15k	126	14	13	12
22	4k	126	7	6	5
23	5k	127	8	9	10
24	6.3k	126	1	2	3
25	8k	127	14	13	12
26	10k	127	7	6	5
27	12.5k	125	8	9	10
28	16k	127	1	2	3

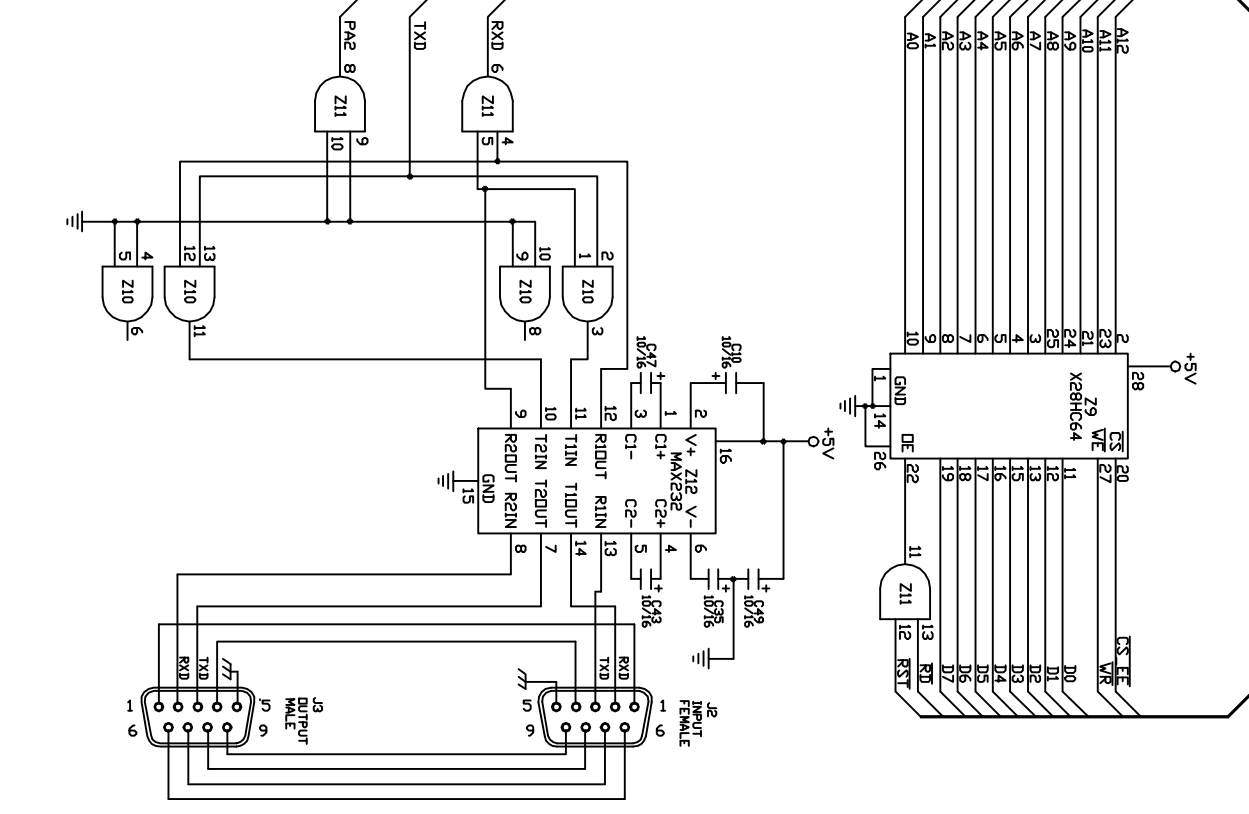
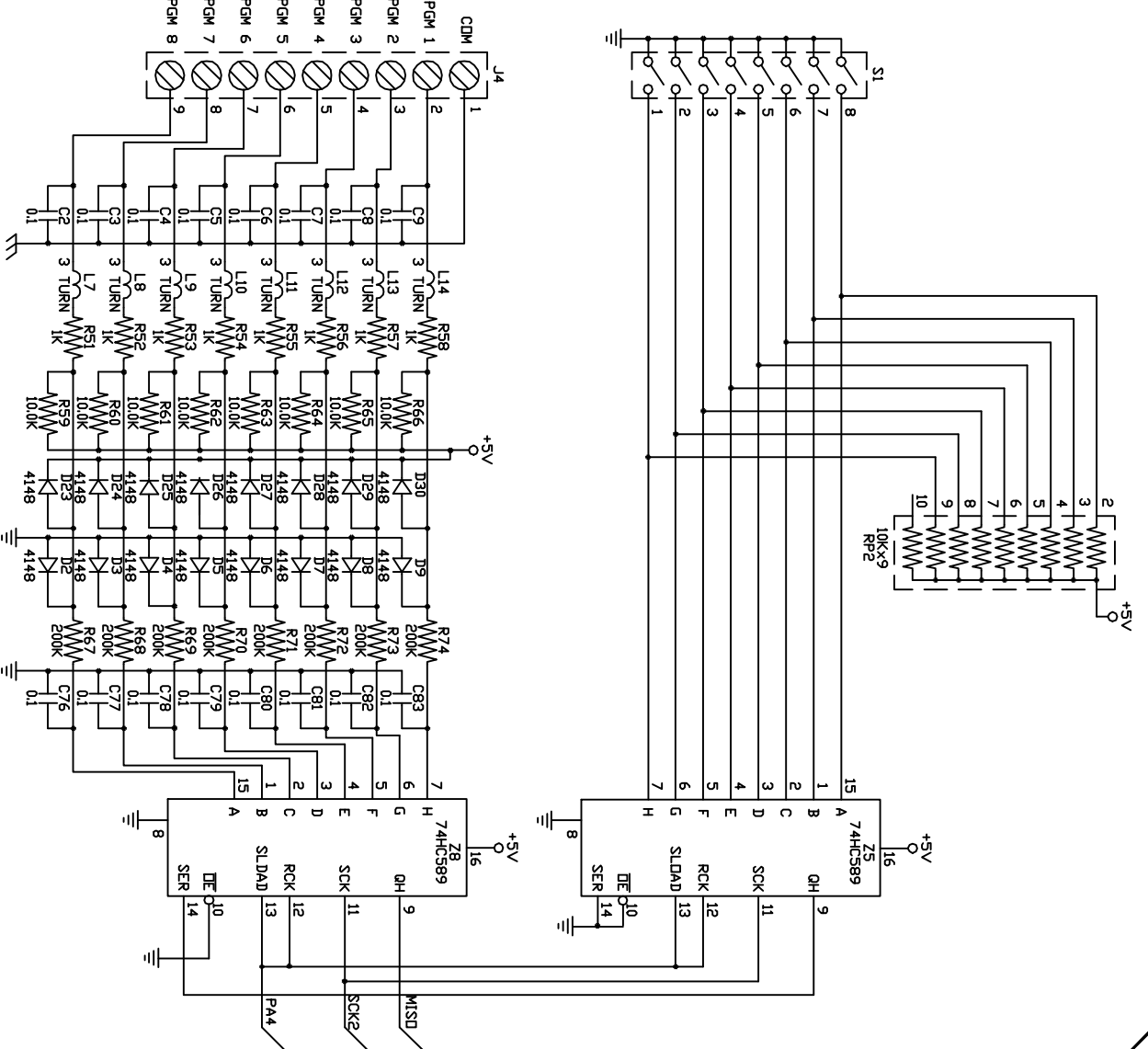
FILTER DETAIL



CHANNEL 1 R154, CHANNEL 2 R254  
EQ COMPONENT DESIGNATION SCHEME:  
X X X X X  
X X X X X  
X X X X X  
DESIGNATOR  
CHANNEL NUMBER  
COMPONENT TYPE  
EXAMPLE: R2121  
RESISTOR, CHANNEL 2 FILTER 12, NUMBER 1



ACTION: NO CHANGE TO PART, NEW DDC#  
 DRAWN: RJ DATE: 14MAR95 CHECKED: RSM DATE: 14MAR98 SHEET: 3 OF 5 REVISED: FJ APPROVED: DATE: 12FEB98  
 DD NOT SCALE DRAWING  
 TITLE: SCHEM BRAIN RPE 228  
 DDC. NO. 101545  
 Corp. 10802 47th Avenue West, Mukilteo WA 98275-5098 (425) 355-6000



ACTION: NO CHANGE TO PART, NEW DDC#  
 DRAWN: RJ DATE: 14MAR95 CHECKED: RSM DATE: 14MAR95 SHEET: 4 OF 5 REVISED: FJ APPROVED: DATE: 12FEB98  
 DD NOT SCALE DRAWING

CORP. 10802 47th Avenue West, Mukilteo  
 WA 98275-5098 (425) 355-6000

**RANGE**

TITLE: SCHEM  
 DIGITAL I/O RPE228  
 DDC. NO. 101545

