

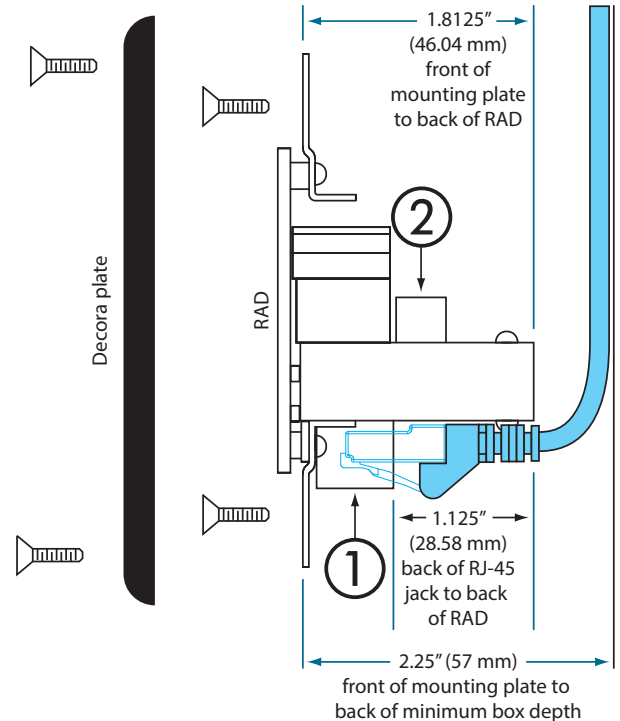
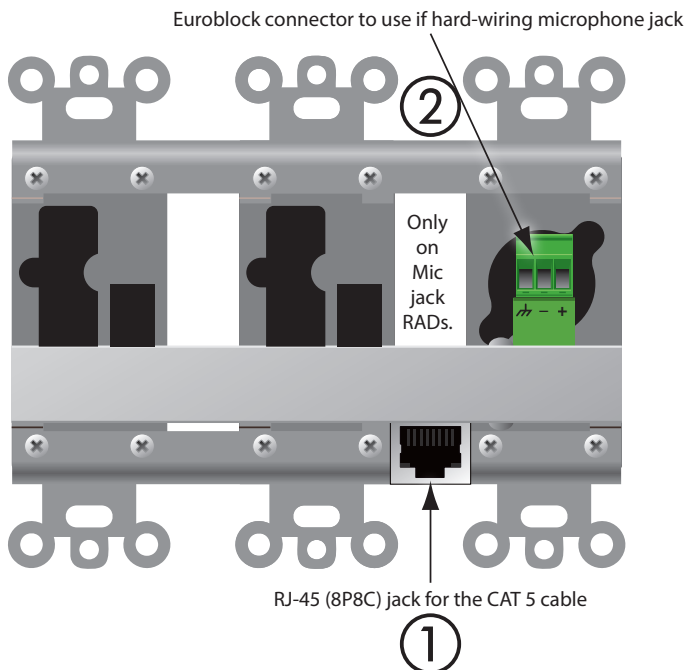
### General RAD Description

The entire family of RAD models interface with HAL or Mongoose, for digital conversion at the wall. Each converts analog audio to and/or from 24-bit, 48 kHz digital audio. Shielded CAT 5e (or better) cable and termination transport four digital audio channels – two channels each direction – as well as power, ground and a communications channel, with status indicators at each RAD, HAL, EXP or Mongoose unit, and in Halogen or Tracker software. The host HAL or Mongoose auto-checks the CAT 5 crimp and verifies audio. All RADs are both “location-aware” and hot-swappable with 500-foot homerun connections (66% farther than Ethernet). Light sensors dim the RAD indicators in dark rooms. Labels can be made and printed from Halogen or Tracker software.

### RAD11

A RAD11 provides one professional quality microphone input on an XLR connector, one consumer line input on 3.5 mm TRS and RCA connectors (all line inputs are summed together), and one consumer stereo line output paralleled to one 3.5 mm TRS and two RCA connectors. 24 V phantom power can be activated for the microphone in software. A Euroblock connection on the back of the RAD allow hard-wiring to the mic input.

The RAD11 mounts in a standard 3-gang US electrical box. It is available in white, ivory, or black, with a matched Decora™ plate cover included. Order model RAD11W for white, RAD11I for ivory, and RAD11B for black.



### RAD Specifications

Parameter	Specification	Limit	Units	Conditions/Comments
Cable Length	500 feet / 153 meters			Shielded CAT 5e or better.
Signal Indicator	-50	typ.	dBFS	Unbalanced / balanced output, green LED, peak-reading
Overload Indicators	-0.5	typ.	dBFS	Unbalanced / balanced output, red LED, peak-reading
<b>Microphone Input Specs (Both XLR &amp; Euro jacks)</b>				
Input Impedance	2.16 k	1%	$\Omega$	Balanced, 1.08 k + 1.08 k
Max. Input Level	-17	min.	dBu	Balanced, Gain = 26 dB, <1% THD
Equivalent Input Noise	-121	typ.	dBu	20 kHz BW, $R_s = 150 \Omega$ , Gain = 26 dB
Dynamic Range	98	typ.	dB	re: 0 dBFS, 20 kHz BW, A-weighted, Gain = 26 dB
CMRR	-70	typ.	dB	$R_s = 150 \Omega$ , 1 kHz, Gain = 26 dB
Frequency Response	30 to 20k	typ.	Hz	+0, -3dB, At All Gain Settings
THD+Noise	0.010% typ.			@ 1 kHz, 20 kHz BW, $R_s = 150 \Omega$ , Output = -6 dBFS, Gain = 26 dB
Gain Range	26 to 60	typ.	dB	In 1 dB Steps
Phantom Power	+24	4%	V	15 mA Max.
Impedance	1.21 k	1%	$\Omega$	Each Leg
<b>Unbalanced Line-Level Input Specs</b>				
Input Impedance, Mono	20 k	1%	$\Omega$	<b>(RAD2, RAD11 &amp; RAD14)</b>
Max. Input Level, Mono	6	min.	Vrms	<1% THD <b>(RAD2, RAD11 &amp; RAD14)</b>
Dynamic Range	96	typ.	dB	re: 0 dBFS, 20 kHz BW, A-weighted
Frequency Response	10 to 22k	typ.	Hz	+0, -3dB
THD+Noise	0.005	typ.	%	@ 1 kHz, 20 kHz BW, $R_s = 150 \Omega$ , Output = -6 dBFS
<b>Unbalanced Line-Level Output Specs</b>				
Output Impedance, Stereo	600	1%	$\Omega$	<b>(RAD6, RAD8, RAD11)</b>
Max. Output Level, Stereo	3.3	min.	Vrms	<1% THD, Load = 10 k $\Omega$ <b>(RAD6, RAD8, RAD11)</b>
Dynamic Range	98	typ.	dB	Re: 0 dBFS, 20 kHz BW, A-weighted
Frequency Response	10 to 22k	typ.	Hz	+0, -3dB
<b>Unit</b>				
Conformity	CE, FCC			
Size	4.1"H x 4.9"W x 2.1"D			10.4 x 12.5 x 5.4 cm
...Weight	6.8 oz			193 g
.....Shipping	13 oz			370 g