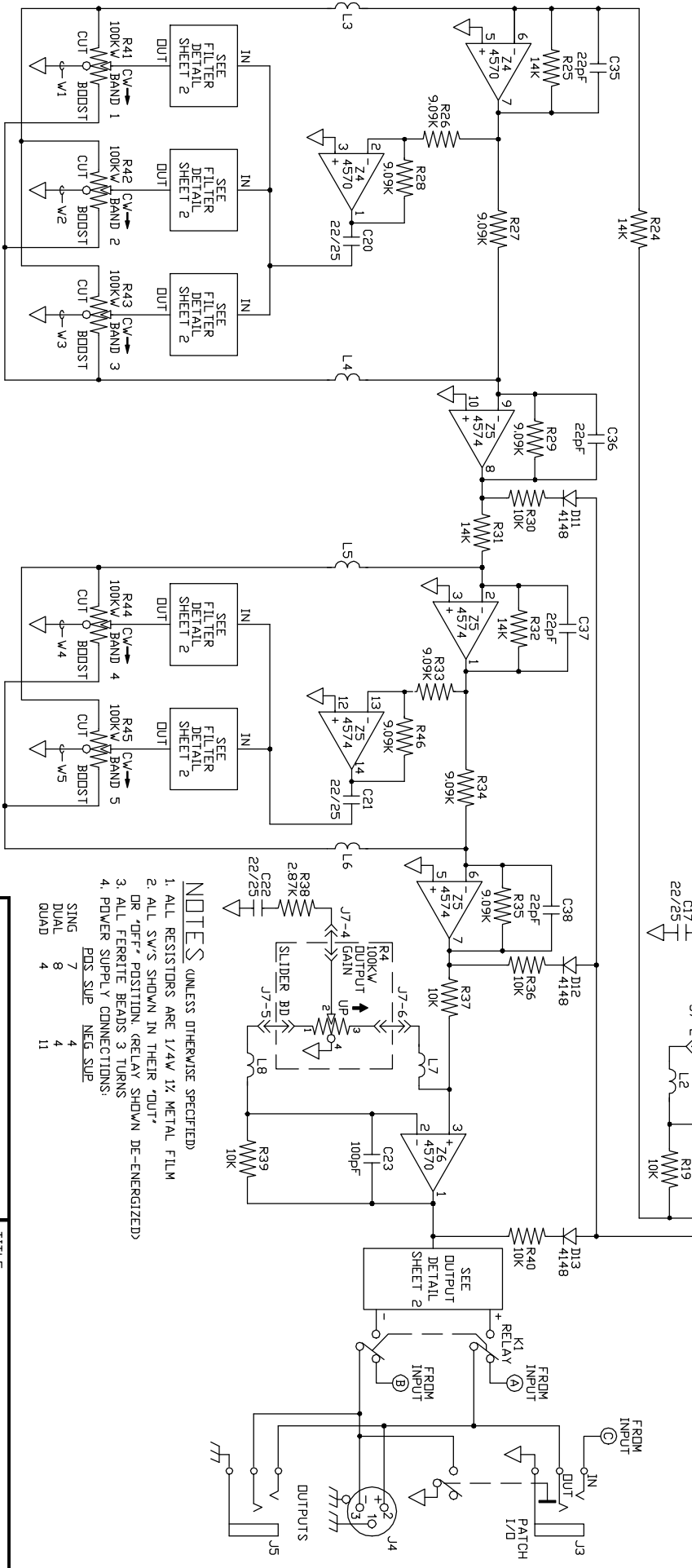
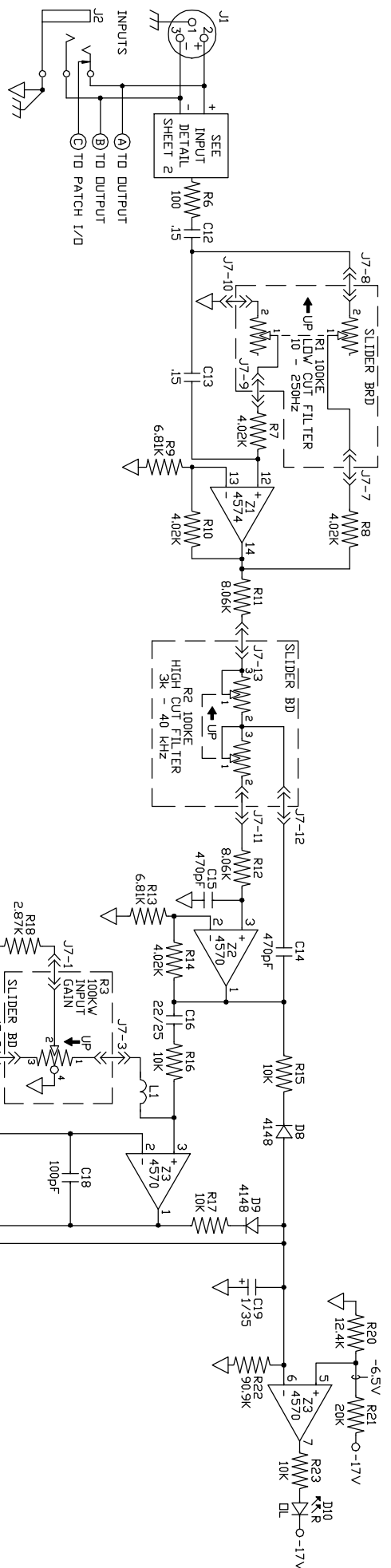


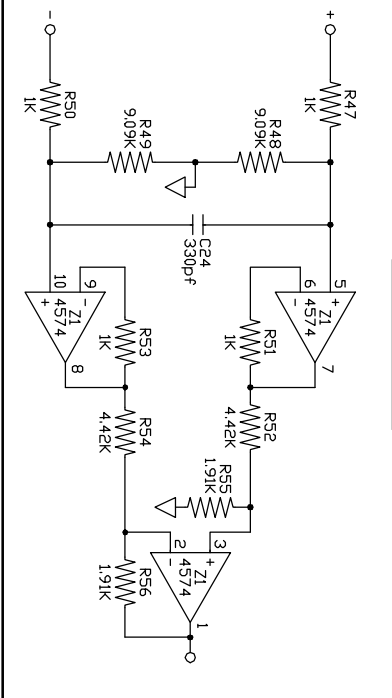
Rane Corp. (425)355-6000
 100509 DES: MAIN PE 17
 ACTION: NO CHANGE TO PART, NEW DOC# SKH 15DEC97



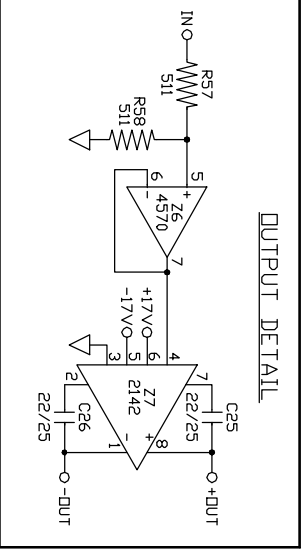
- NOTES** (UNLESS OTHERWISE SPECIFIED)
1. ALL RESISTORS ARE 1/4W 1% METAL FILM
 2. ALL SW'S SHOWN IN THEIR 'OUT' OR 'OFF' POSITION. (RELAY SHOWN DE-ENERGIZED)
 3. ALL FERRITE BEADS 3 TURNS
 4. POWER SUPPLY CONNECTIONS:

BDS SUP	7	NEG SUP	4
SING	8		4
DUAL	4		4
QUAD	4		11

INPUT DETAIL



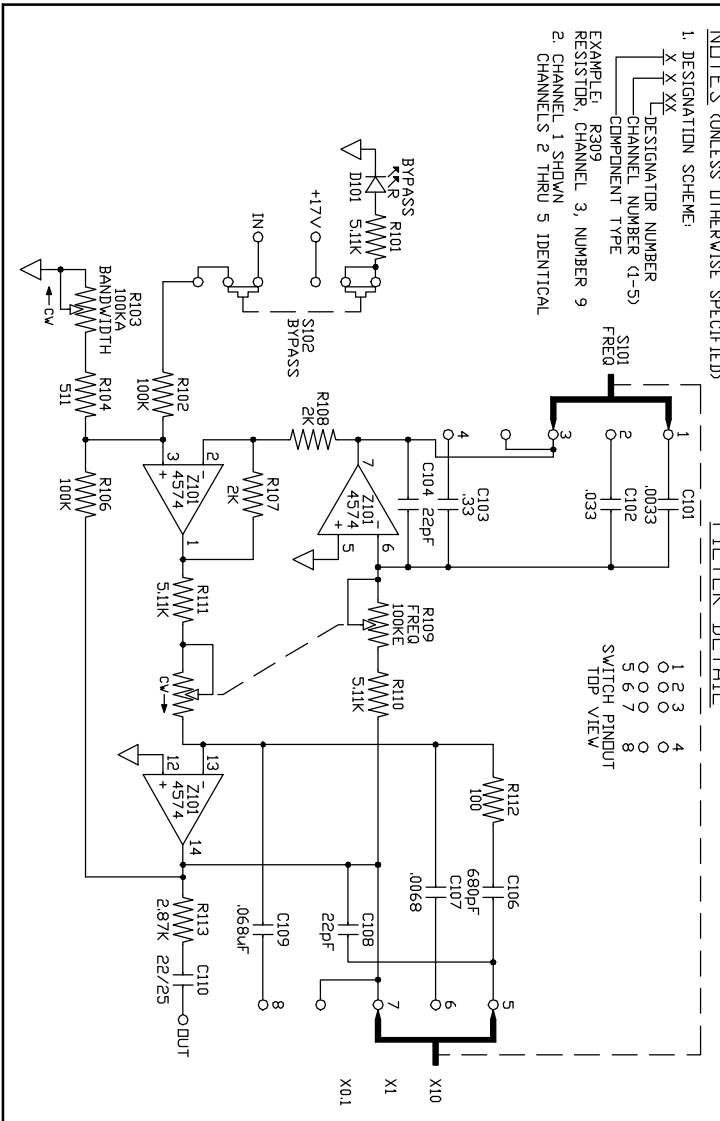
OUTPUT DETAIL



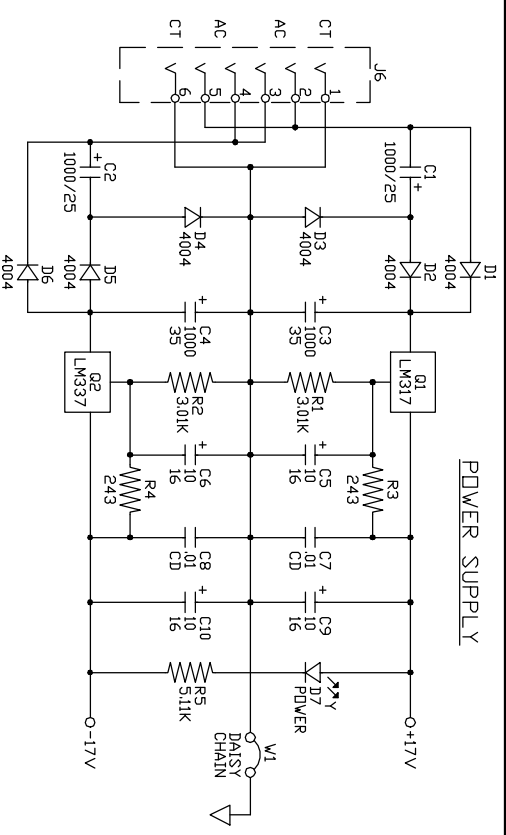
NOTES (UNLESS OTHERWISE SPECIFIED)

- DESIGNATION SCHEME:
X X XX
 X X XX
 CHANNEL NUMBER (1-5)
 COMPONENT TYPE
- EXAMPLE: R309
RESISTOR, CHANNEL 3, NUMBER 9
- CHANNEL 1 SHOWN
CHANNELS 2 THRU 5 IDENTICAL

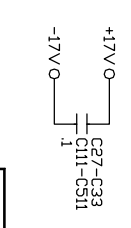
FILTER DETAIL



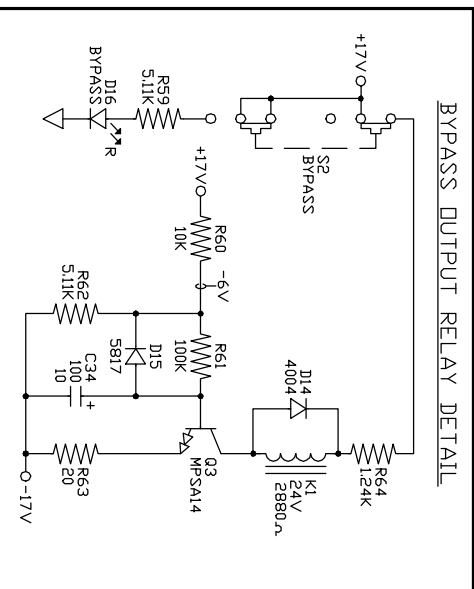
POWER SUPPLY



DECOUPLING CAPS



BYPASS OUTPUT RELAY DETAIL



SEE NOTES SHEET 1

ACTION: NO CHANGE TO PART, NEW DDC#
DRAWN: SKH DATE: 30JUN93 CHECKED: RWJ DATE: 27OCT93

REVISION: SKH DATE: 12DEC97
SHEET: 2 OF 2

APPROVED: RWJ DATE: 12DEC97
DO NOT SCALE DRAWING



Corp. 10802 47th Avenue West, Mukit'eo
VA 98275-5098 (425) 355-6000

TITLE: SCHEM DETAILS & PWR SUP

PE 17

DDC. NO.

100440