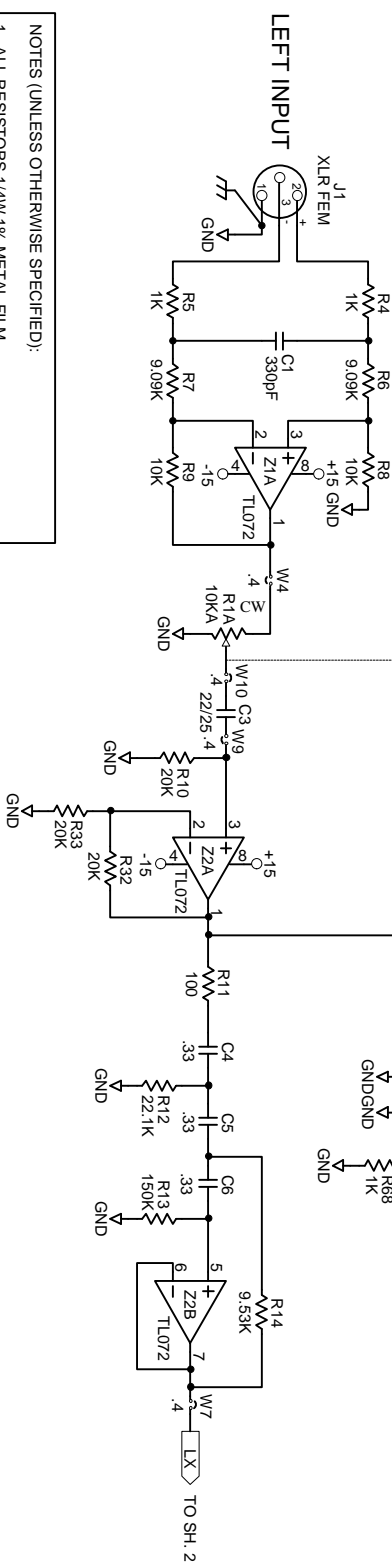
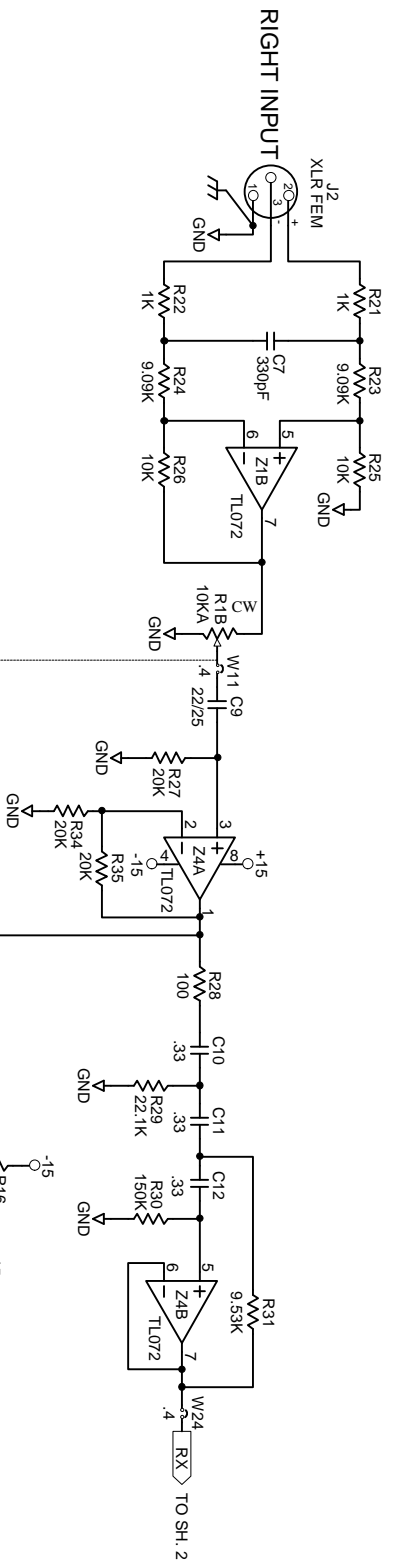


Rane Corp. <425>355-6000
 100607 DES MX 22
 ACTION: NO CHANGE TO PART, NEW DOC# FJ 14JAN98



INPUT LEVEL

NOTES (UNLESS OTHERWISE SPECIFIED):
 1. ALL RESISTORS 1/4W, 1% METAL FILM
 2. ALL SWITCHES SHOWN IN THEIR OUT OR OFF POSITION

CROSSOVER 100458-2-SCH
 OUTPUTS 100458-3-SCH
 POWER 100458-4-SCH

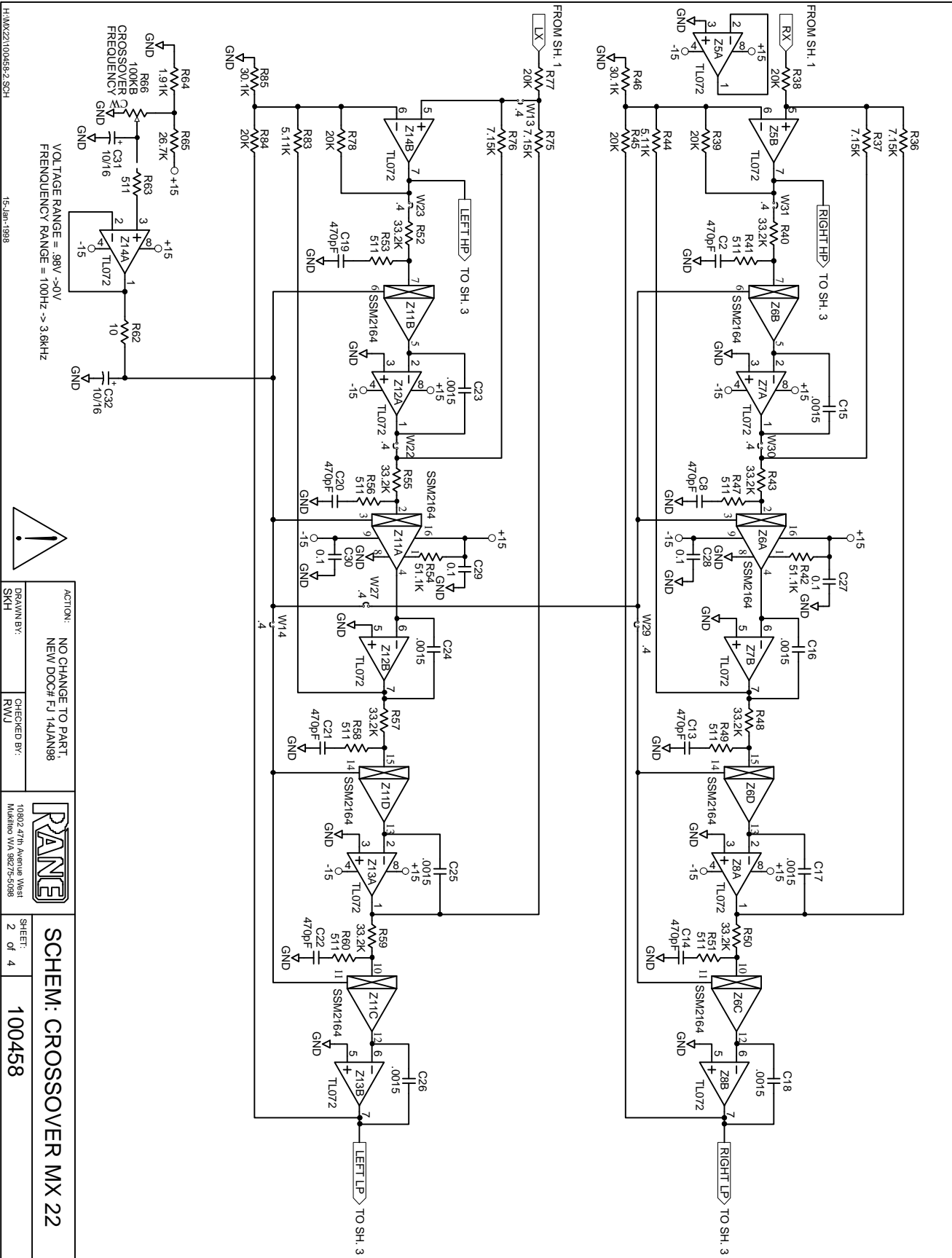
ACTION: NO CHANGE TO PART, NEW DOC# FJ 14JAN98



DRAWN BY: SKH
 CHECKED BY: RGH
 10802 47th Avenue West
 Matthews WA 98075-5098

SCHEM: INPUTS MX 22

SHEET: 1 of 4
 100458



VOLTAGE RANGE = .98V ~0V
 FREQUENCY RANGE = 100Hz ~> 3.8kHz



ACTION: NO CHANGE TO PART.
 NEW DOC# FJ 14JAN98



SCHEM: CROSSOVER MX 22

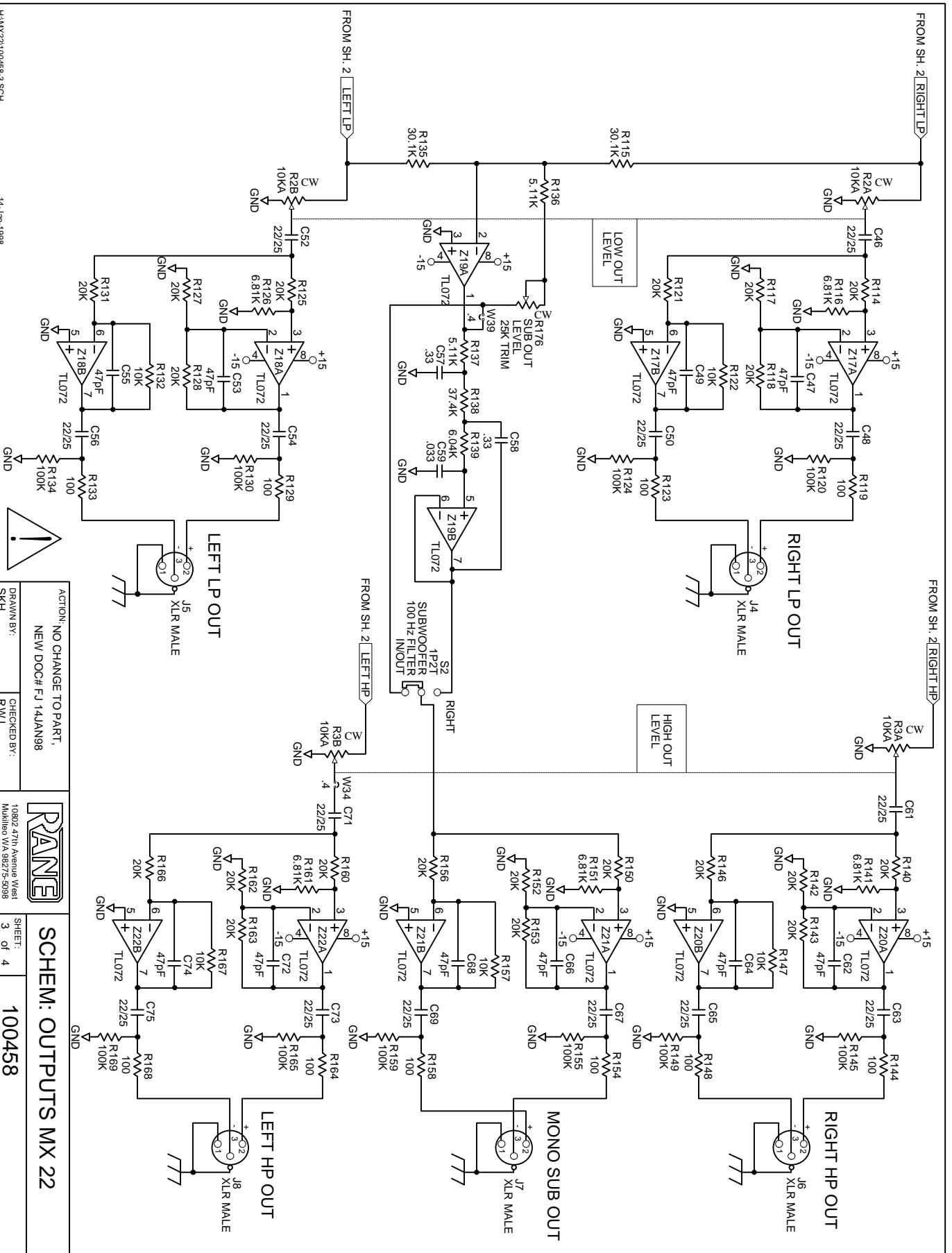
DRAWN BY: SKH

CHECKED BY: RWJ

10822 47th Avenue West
 Murfreesboro TN 38872-5888

SHEET: 2 of 4

100458

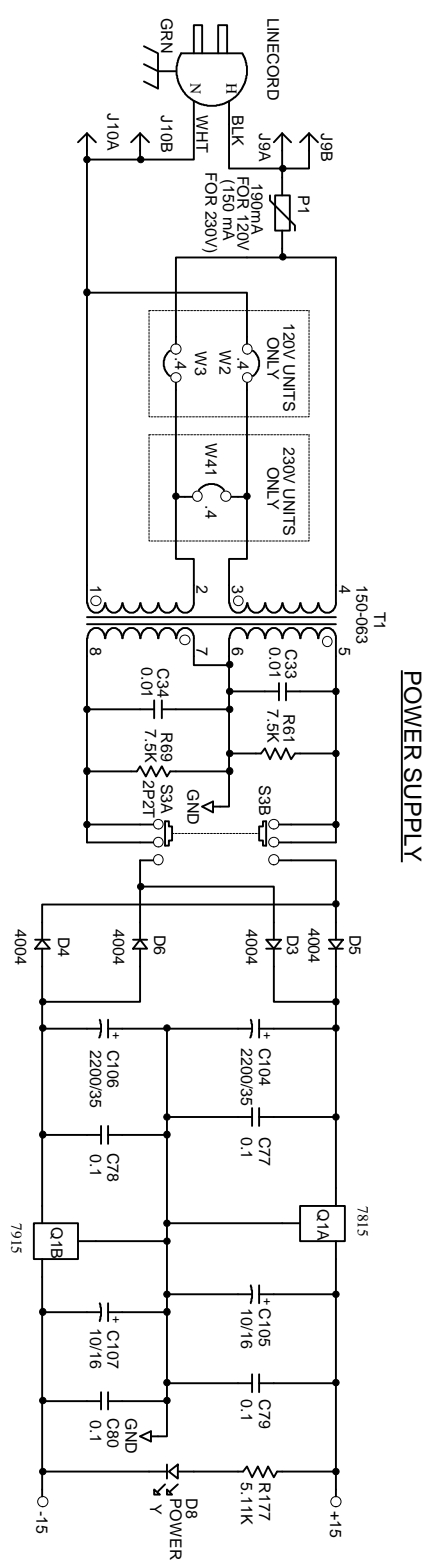


ACTION: NO CHANGE TO PART.
 NEW DOC# FJ 14JAN98
 DRAWN BY: SKH
 CHECKED BY: RWJ

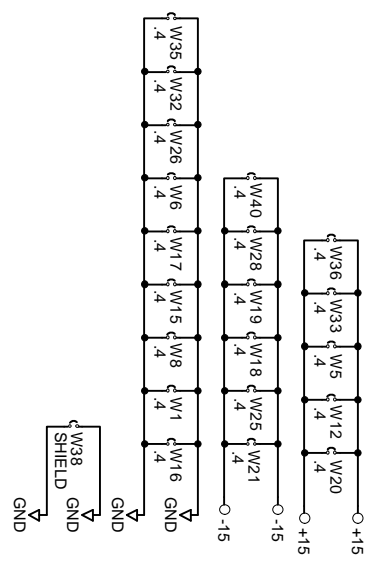


10802 47th Avenue West
 Tukwila WA 98148-5038

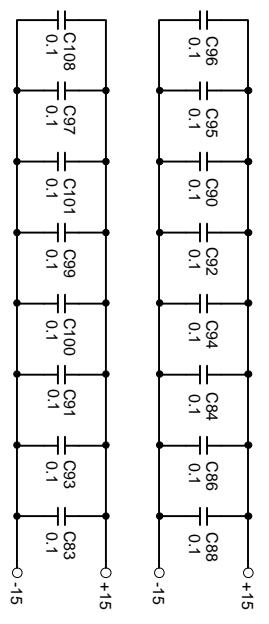
SHEET: 3 of 4
 SCHEM: OUTPUTS MX 22
 100458



JUMPERS



DECOUPLING CAPS



<p>ACTION: NO CHANGE TO PART NEW DOC# FJ 14LAN98</p> <p>DRAWN BY: SKH</p> <p>CHECKED BY: RWJ</p>	<p>10802 47th Avenue West Maple WA 98275-5038</p>
<p>SCHEM: POWER MX 22</p>	
<p>SHEET: 4 of 4</p>	<p>100458</p>

