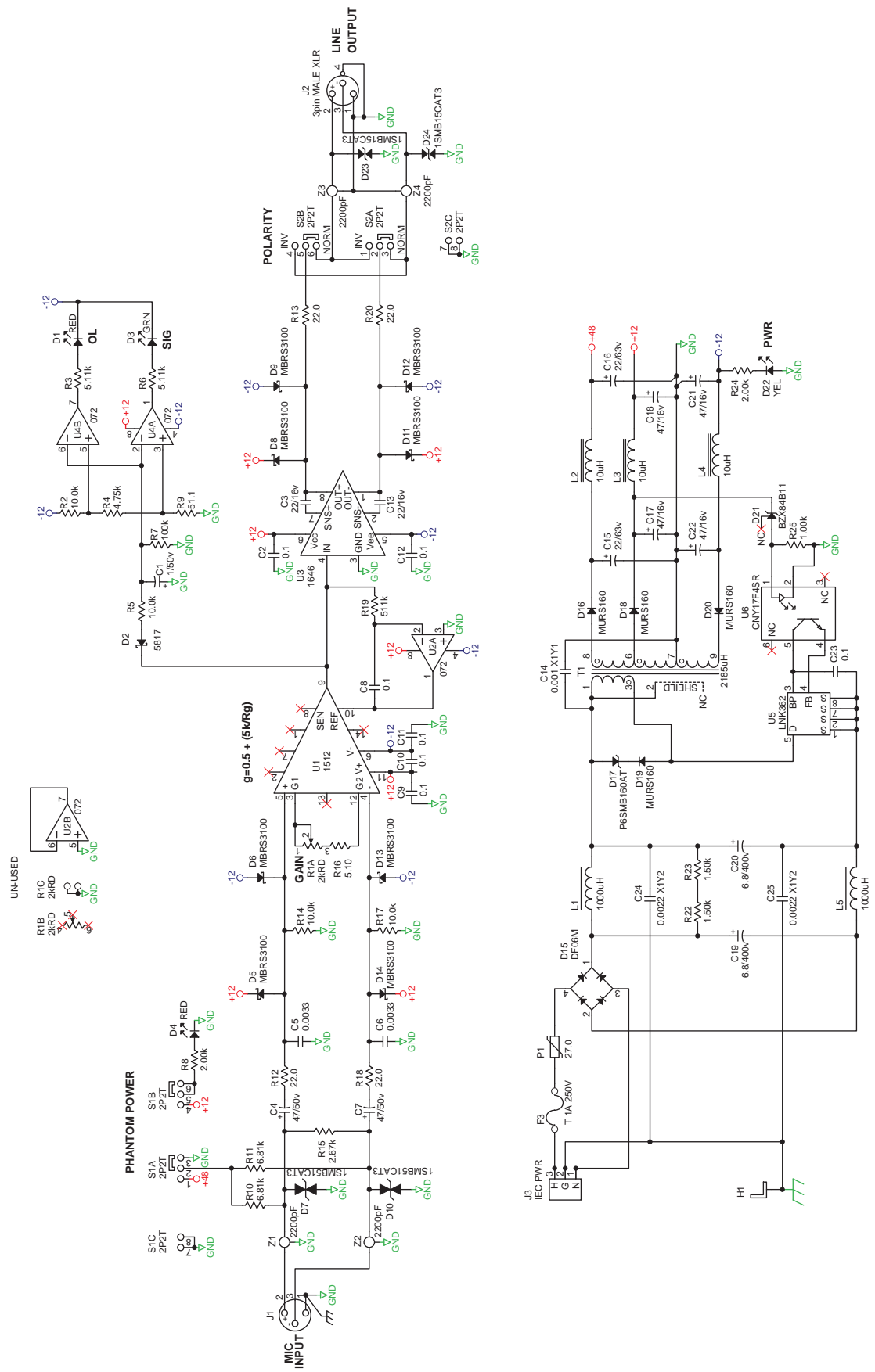
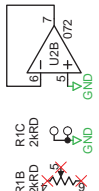


Rane Corp. (425)355-6000  
114827 DES MS1S  
MOVE POT WAS 114679 3-27-12 ALF



UN-USED



R1B 2k6D  
R1C 2k6D  
R1D 2k6D  
R1E 2k6D  
R1F 2k6D  
R1G 2k6D  
R1H 2k6D  
R1I 2k6D  
R1J 2k6D  
R1K 2k6D  
R1L 2k6D  
R1M 2k6D  
R1N 2k6D  
R1O 2k6D  
R1P 2k6D  
R1Q 2k6D  
R1R 2k6D  
R1S 2k6D  
R1T 2k6D  
R1U 2k6D  
R1V 2k6D  
R1W 2k6D  
R1X 2k6D  
R1Y 2k6D  
R1Z 2k6D



ACTION: Z3, Z4 WERE 220pFEMI, ADDED D23, D24, L4, L5 WERE AND INSERTED  
L4, L5 WAS DOC 11/22/23, 30JAN12

DRWING: RJ

CHECKED BY: \*

MS 1S

10802 47th Avenue West  
Mukilteo WA 98275-5098

SHEET: 1

1 of 1

114678

!

Main