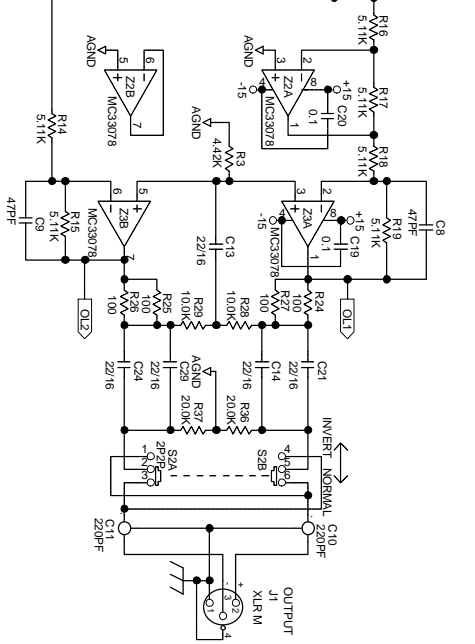
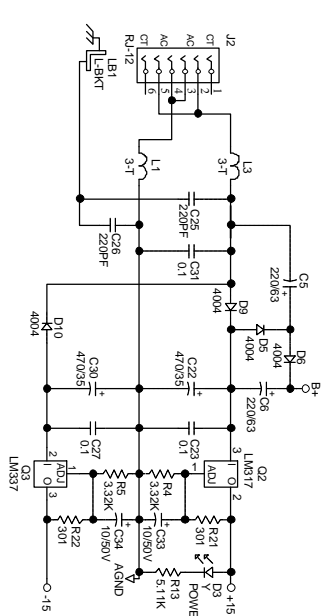
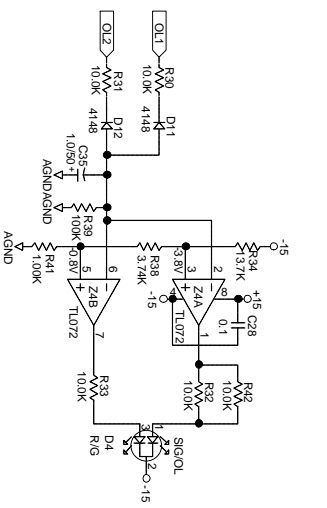
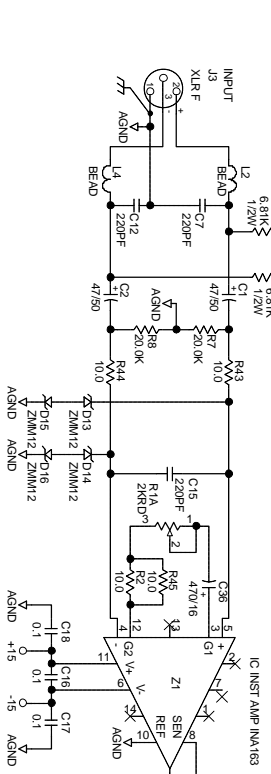
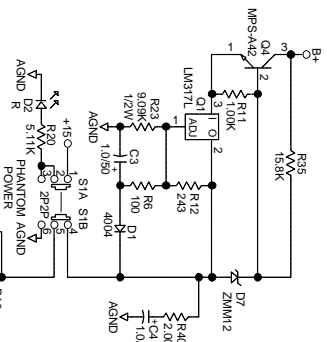


Rane Corp. (425)355-6000
 104900 DES: MS 1b SHEET 1 OF 2
 ACTION: MOVED D4 MKM 26MAR01



AGNOR. REVISIONI MS 1B
 CHG ZI SSM2077P TO INA163
 ADD D13-16 SL4733 TO ZMM12
 ADD R3-45 TO OHM1 MMX1310CT00
 GRW:WBF: RICH
 CHECKED BY: RYO'G



MS 1b
 SHEET 1 of 1
 104486