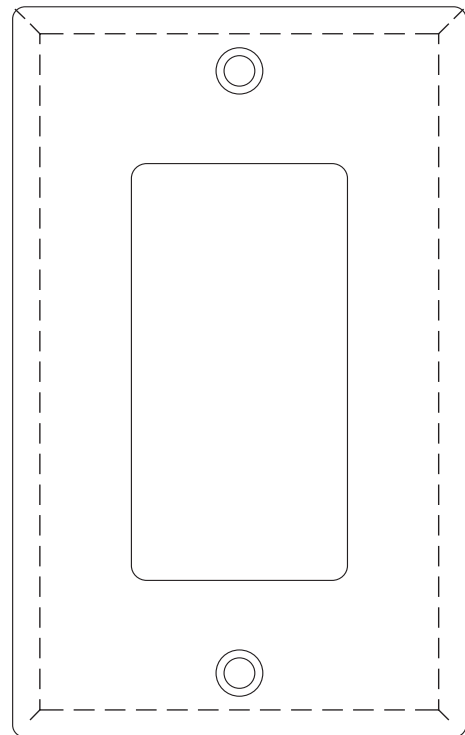


Description

The MRS4 provides a simple solution to recalling Memories from a remote location for products having an MRP (Memory Recall Port), a VIP (Versatile Input Port), or the Logic Input Port on a HAL Multiprocessor.

The MRS4 allows up to four Memories to be recalled by contact closure. These are radio buttons: engaging one button (*in, changing to green*) causes any of the other three to disengage (*out, changing to black*). Space is provided next to each button for labelling. Consult the Operators Manual of the connected Rane equipment for details on Memory recall functions.



Decora™ plate not included.
Decora is a trademark of Leviton.

Remote Mounting and Wiring

The MRS4 remote assembly mounts in a standard U.S. electrical box with a minimum depth of 2.5".

Turn the power to the unit *off* until all connections are made. It is important to ensure that the Remote Ports are not subjected to sustained voltages outside the range of 0 to 5 volts DC or high levels of static. Inputs are protected, however caution is the better part of...you know. It is a good idea to install the wiring, connect it to the Remote and then make the final connections at the unit.

When wiring to Euroblocks, a minimum wire gauge of 22 is preferred for reliability. If the ground or shield wire is left shorter, it acts as a strain relief for the other wires. Cable with a flexible jacket is easier to use and less likely to damage the connections. Be sure to note the wire color of each input in order to facilitate correct wiring to the unit. Make sure wires are free of nicks and that the cable jacket is stripped back sufficiently to allow it to lie in the electrical box with the remote assembly inserted. Connect each wire to the 5-pin connector by fully inserting it in the correct socket and tightening the screw.

Use the flat head #6 screws supplied with the kit to mount the remote assembly and silkscreened front panel to the electrical box. Install the Decora plate of your choice (not included).

Wire Types

You may use 5-conductor unshielded remote control signal cable for shorter runs (less than 200 ft.) or 4-conductor (2 pair) shielded remote control signal cable (use the shield as the GND return) for longer runs (200 to 1000 ft.). The type of wire required is influenced by your installation and local electrical codes. Variations in wire type do not greatly affect the performance of the remote controls. Rane Corporation does *not* provide or source cable. Please contact your local retail or wholesale outlet, *not* the factory.

The following is a short list of suitable cable types:

CONSOLIDATED ELECTRONIC WIRE AND CABLE

Plenum cable:

Unshielded remote control signal cable CAT. #9896

Shielded remote control signal cable CAT. #9877 or #9852

WEICO WIRE & CABLE INC.

Communication and control cable:

Multiconductor, unshielded CAT. #7606

ALPHA

Communication and control cable:

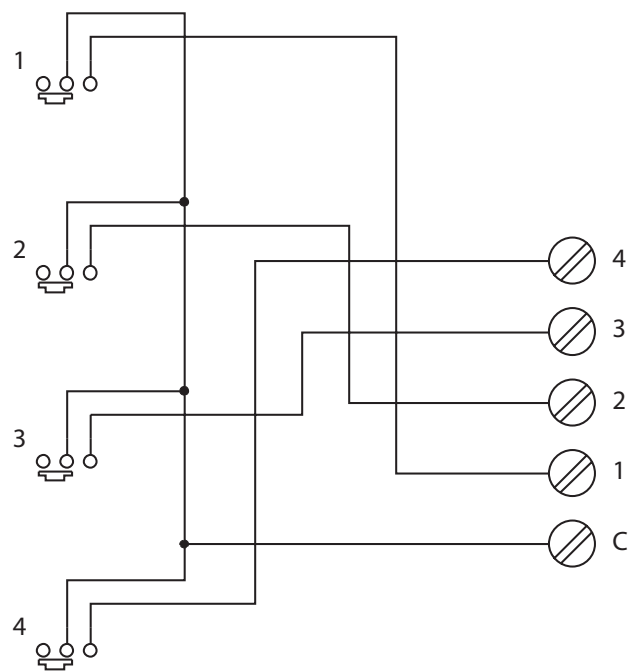
Multiconductor, unshielded CAT. #1175C

BELDEN

Unshielded remote control signal cable CAT. #88741

Shielded remote control signal cable CAT. #88723

Block Diagram / Schematic



WARNING: This product may contain chemicals known to the State of California to cause cancer, or birth defects or other reproductive harm.

