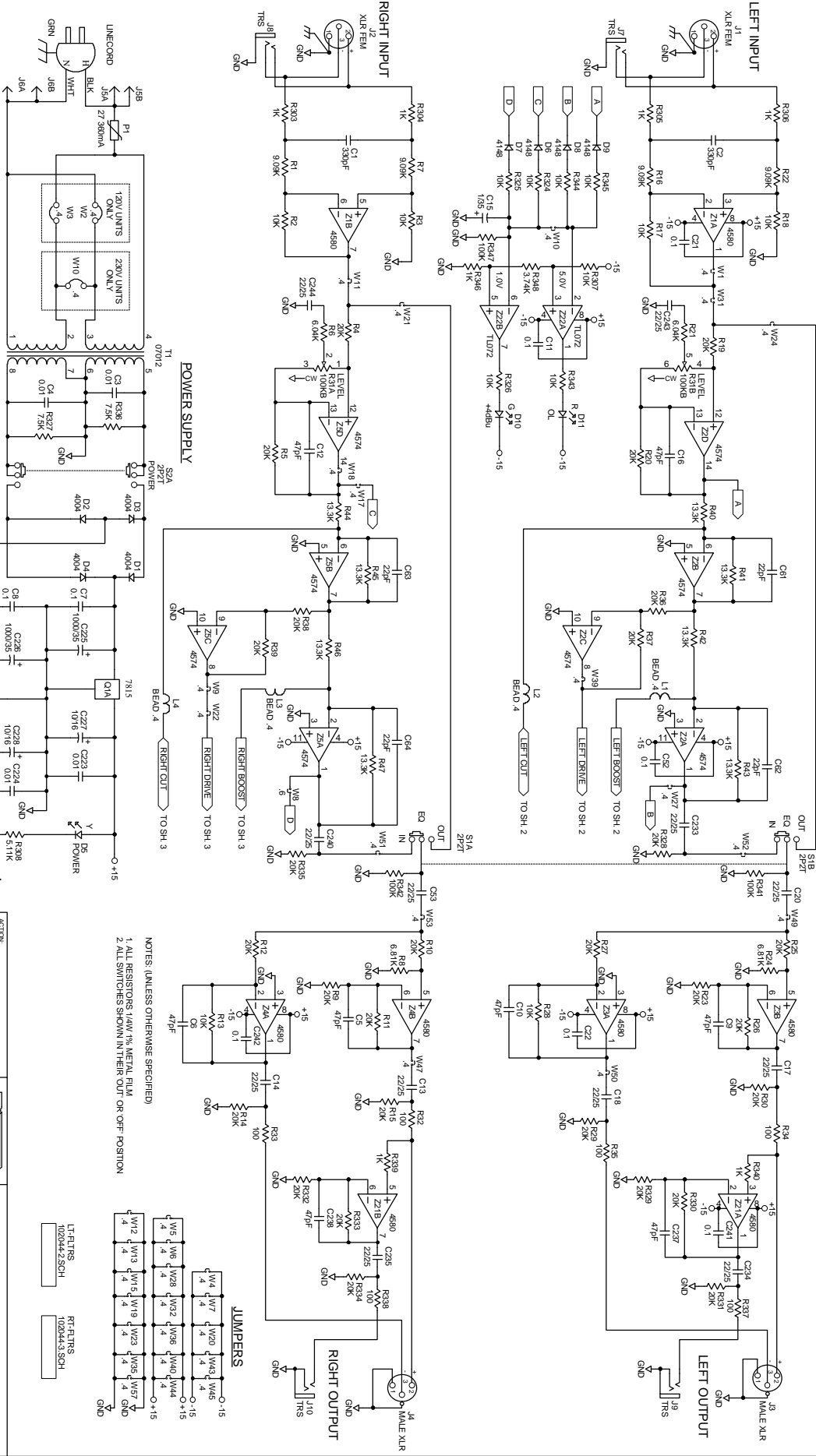


Rane Corp. (425)355-6000
 101334 DES: MAIN/SLIDER MQ302
 ACTION: NEW PRODUCT SKH 15JAN98



ACTION: NO CHANGE TO PART.
 DRAWING BY: NEW DOOH-FJ-SUNNBS
 CHECKED BY: STEPHENCK
 RJE/ETS

1. ALL RESISTORS 1/4W 1% METAL FILM
 2. ALL SWITCHES SHOWN IN THEIR OUT OR OFF POSITION

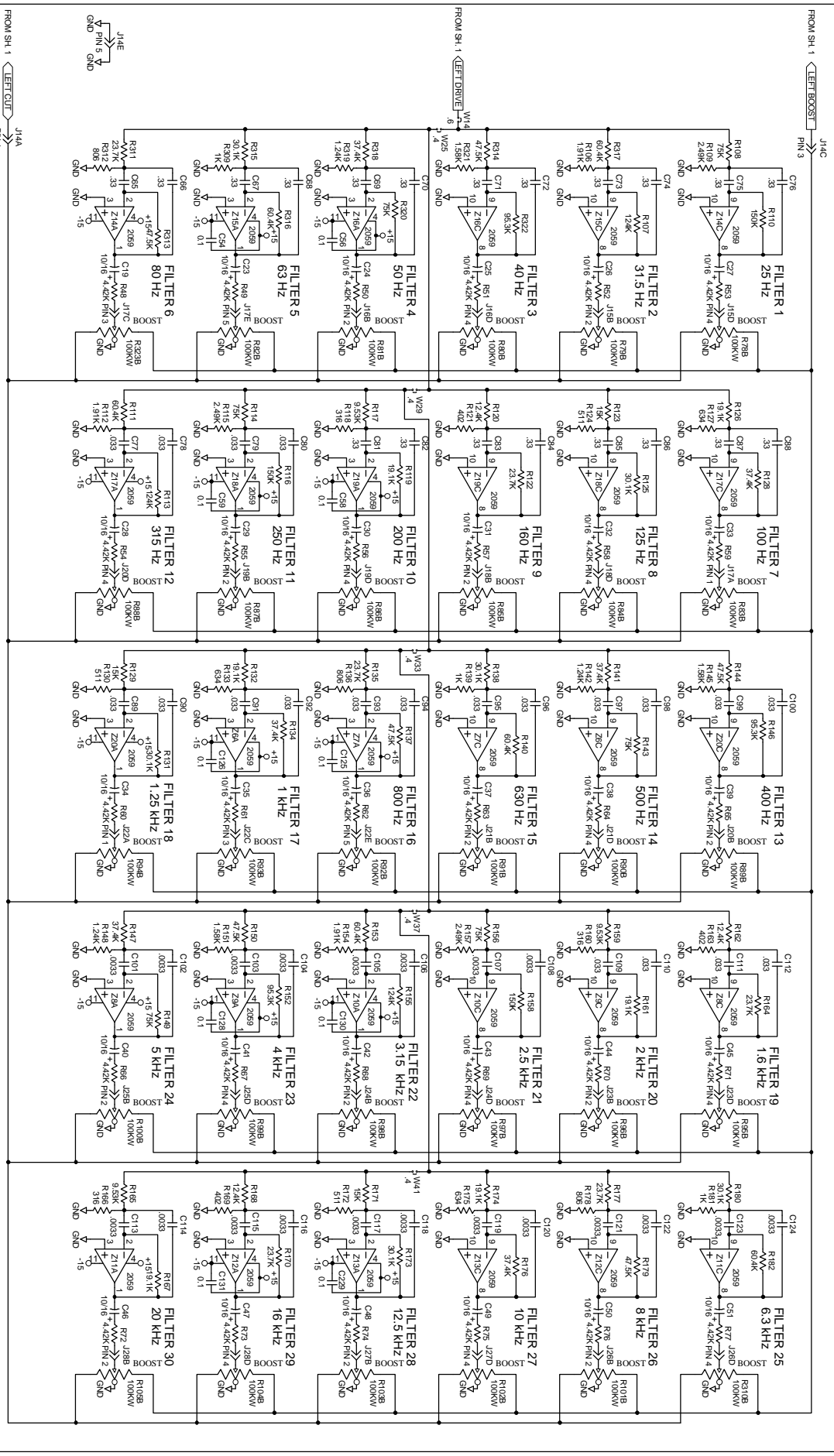
NOTES: (UNLESS OTHERWISE SPECIFIED)

LT-FILTERS 102044-2.SCH
 RT-FILTERS 102044-3.SCH

SCHEM. IN/OUT MQ302
 SHEET 1 OF 3
 102044

DATE: 06/03/98
 DRAWN BY: NEW DOOH-FJ-SUNNBS
 CHECKED BY: STEPHENCK
 RJE/ETS

102044-1.SCH



FROM SH 1 LEFT BOOST
PIN 3

FROM SH 1 LEFT CUT
PIN 1

H:\MOC302\102044.ZSCH

ACTION: IC 2059 WMS OPT1,
NEW PART# FL 3UN98

DRAWN BY: STEFANO
CHECKED BY: R.FETS

REVISION: 2 OF 3

DATE: 102004

SCHEM: FILTERS LEFT MOC302



RAVE
RADIO AND VIDEO EQUIPMENT
MILANO - VIA. SOSTIZZE 5/088

