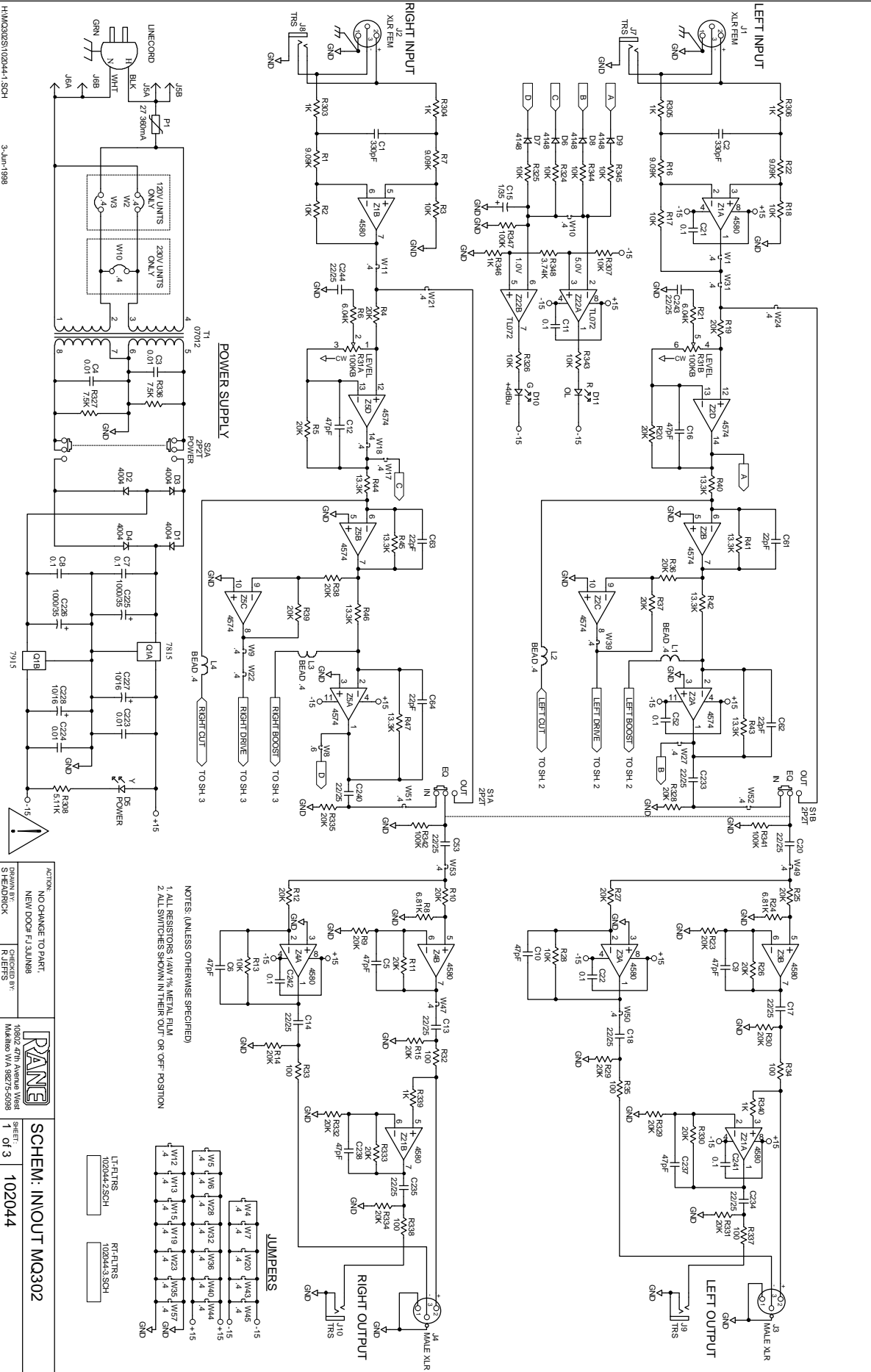


Rane Corp. (425)355-6000
 101334 DES: MAIN/SLIDER MQ302
 ACTION: NEW PRODUCT SKH 25FEB98



NOTES: (UNLESS OTHERWISE SPECIFIED)
 1. ALL RESISTORS 1/4W 1% METAL FILM
 2. ALL SWITCHES SHOWN IN THEIR 'OUT' OR 'OFF' POSITION

JUMPERS

W1	W2	W3	W4	W5	W6	W7	W8	W9	W10	W11	W12	W13	W14	W15
1	2	3	4	5	6	7	8	9	10	11	12	13	14	15

LF-FILTERS 102044-2.SCH
 RT-FILTERS 102044-3.SCH

ACTION: NO CHANGE TO PART.
 DRAWING BY: NEW DOOH-FJ-SUNBRS
 CHECKED BY: RJEFFS
 102044-1 (REVISED) WJW
 Makromon V.A. 98275-5098

PCB SCHEM. IN/OUT MQ302

1 of 3 102044

