

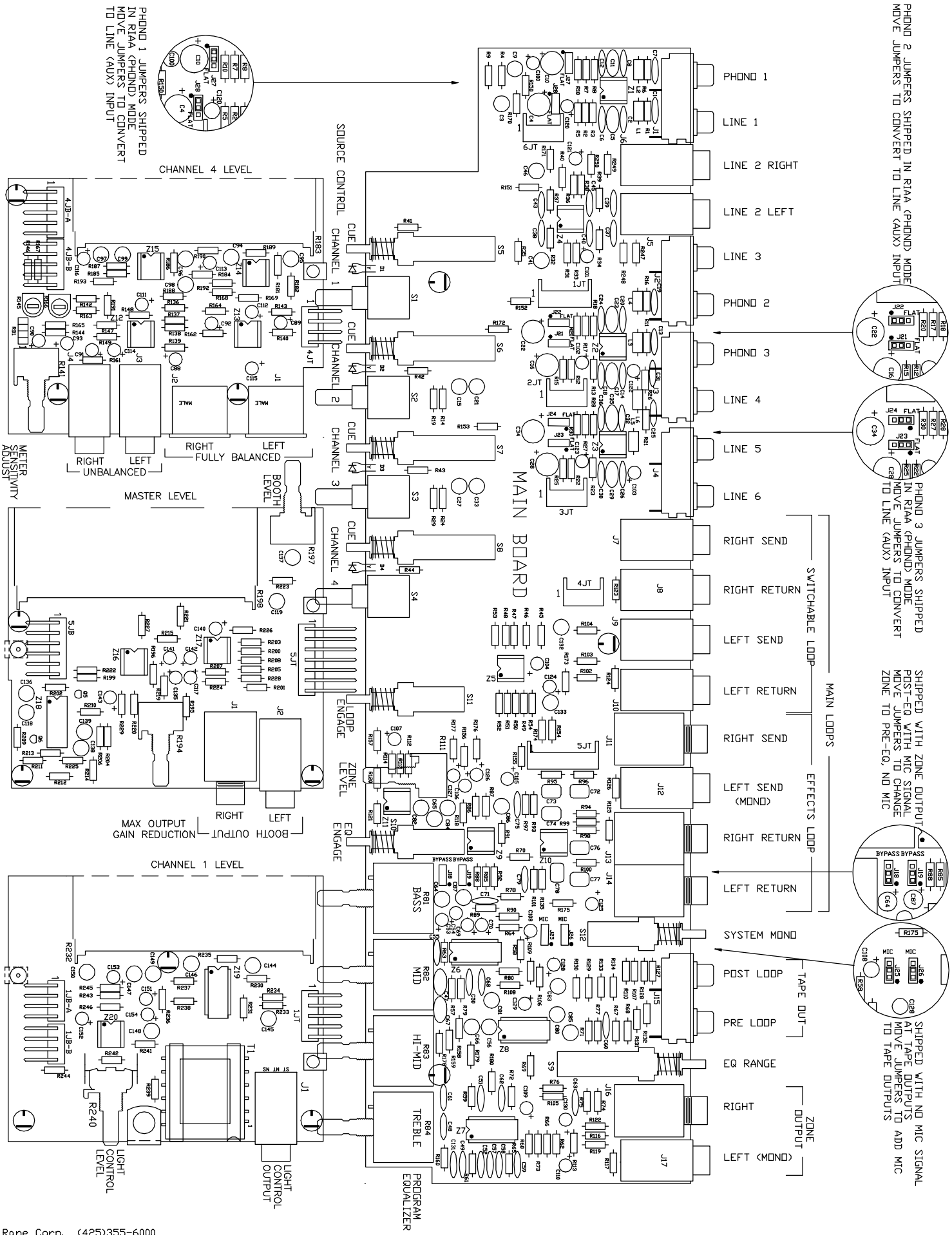
ALL JUMPERS SHOWN IN SHIPPED POSITION

PHONO 2 JUMPERS SHIPPED IN R1AA (PHONO) MODE  
MOVE JUMPERS TO CONVERT TO LINE (AUX) INPUT

PHONO 3 JUMPERS SHIPPED IN R1AA (PHONO) MODE  
MOVE JUMPERS TO CONVERT TO LINE (AUX) INPUT

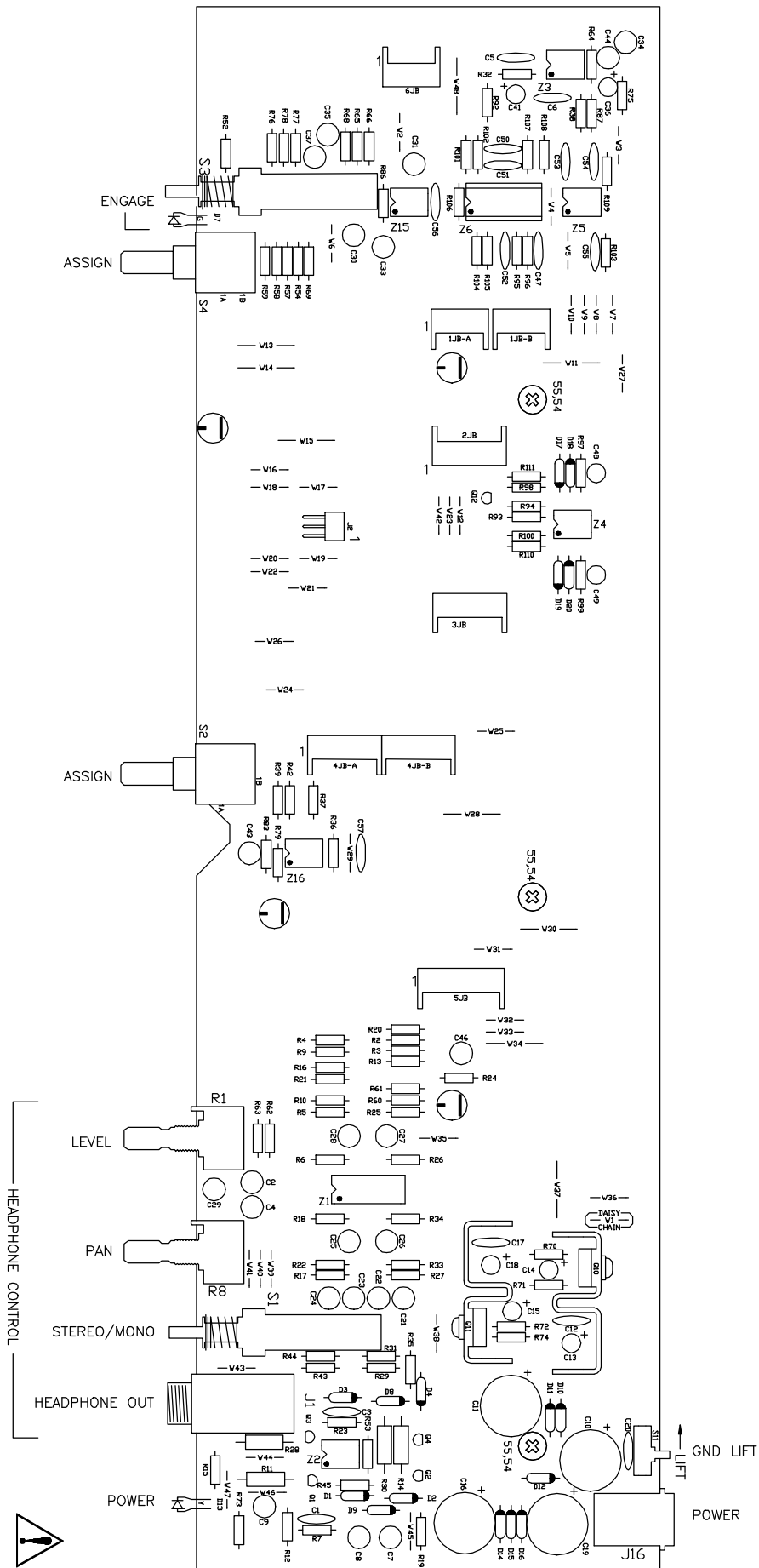
SHIPPED WITH ZONE OUTPUT  
PRE-EQ WITH MIC SIGNAL  
MOVE JUMPERS TO CHANGE  
ZONE TO PRE-EQ, ND MIC

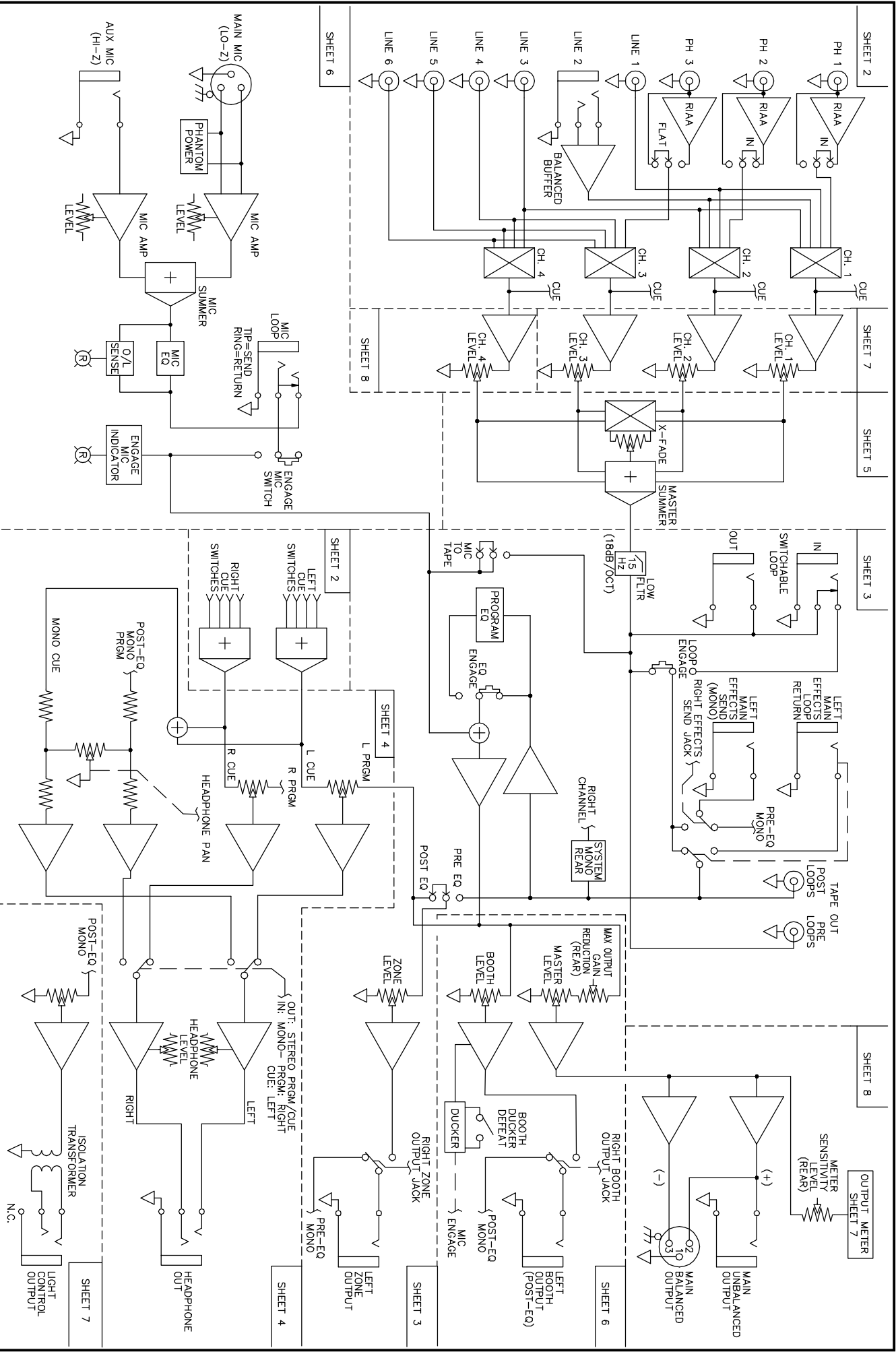
SHIPPED WITH ND MIC SIGNAL  
AT TAPE OUTPUTS TO ADD MIC  
MOVE JUMPERS TO ADD MIC  
TO TAPE OUTPUTS



PHONO 1 JUMPERS SHIPPED  
IN R1AA (PHONO) MODE  
MOVE JUMPERS TO CONVERT  
TO LINE (AUX) INPUT







ACTION: NEW MODEL NAME: NEW DDC#  
 DRAWN: RWJ DATE: 05MAY92 CHECKED: SKH DATE: 05MAY92 SHEET: 1 OF 9 REVISED: SKH APPROVED: RWJ DATE: 21SEP98

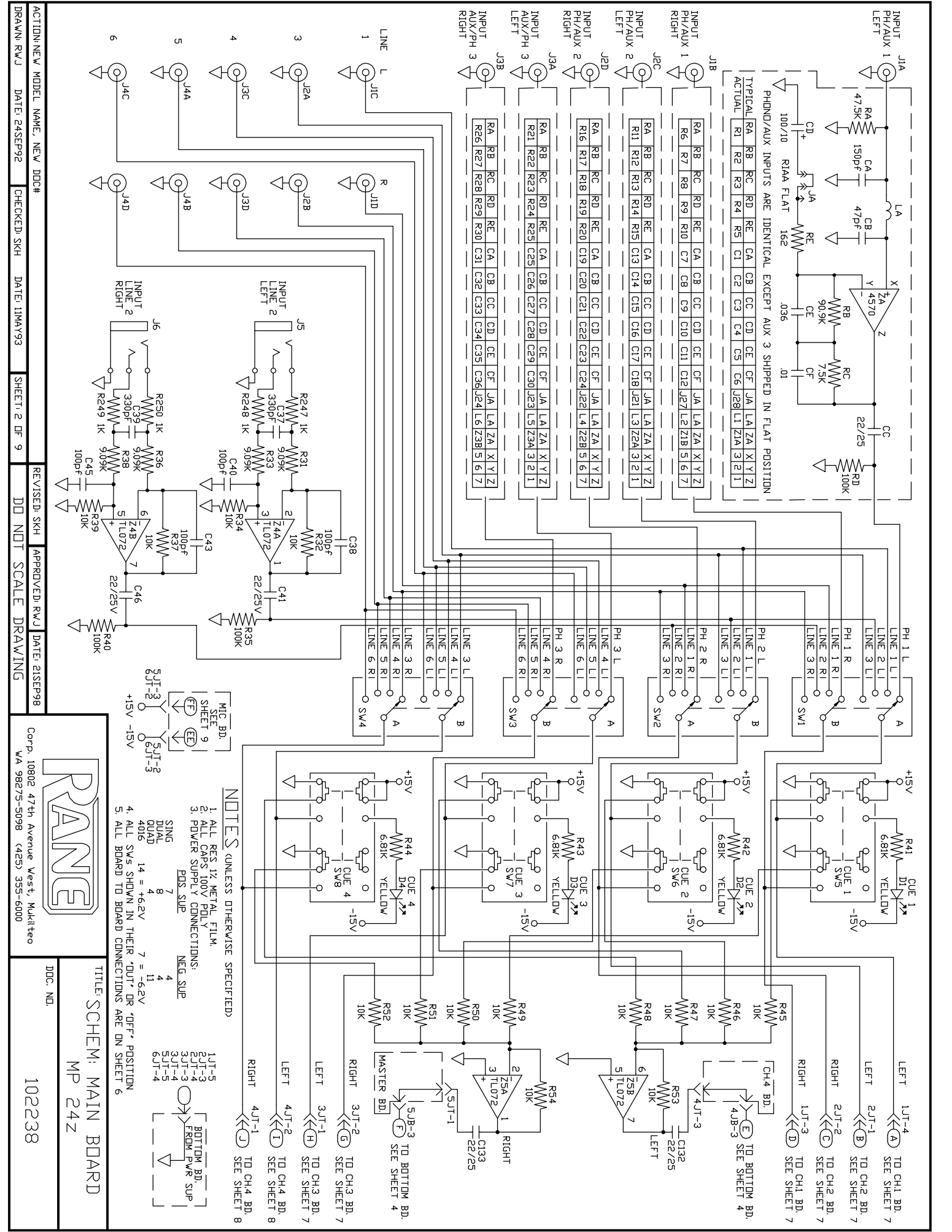
DD NOT SCALE DRAWING

Corp. 10802 47th Avenue West, Mukilteo  
 WA 98275-5098 (425) 355-6000

**RANE**

DDC. NO. 102238

TITLE: SCHEMATIC GUIDE  
 MP 24Z



PHONO/AUX INPUTS ARE IDENTICAL EXCEPT AUX 3 SHIPPED IN FLAT POSITION

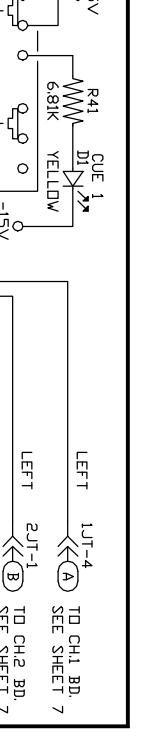
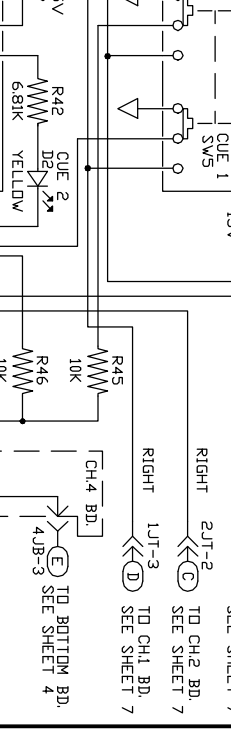
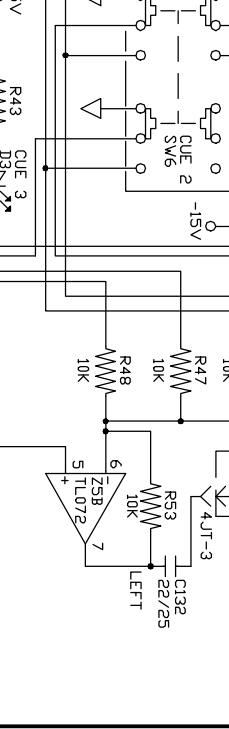
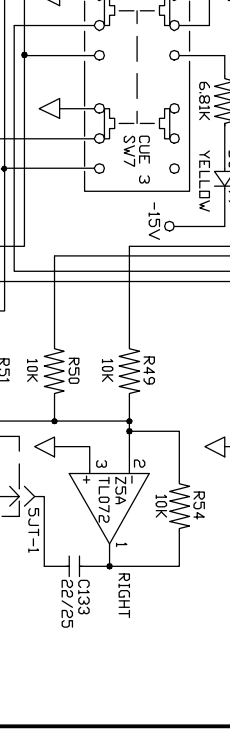
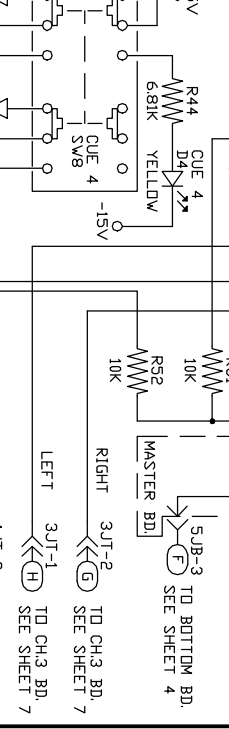
TYPICAL	RA	RB	RC	RD	RE	CA	CB	CC	CD	CE	CF	JA	LA	ZA	X	Y	Z
ACTUAL	R1	R2	R3	R4	R5	C1	C2	C3	C4	C5	C6	J28	L1	Z1A	3	2	1



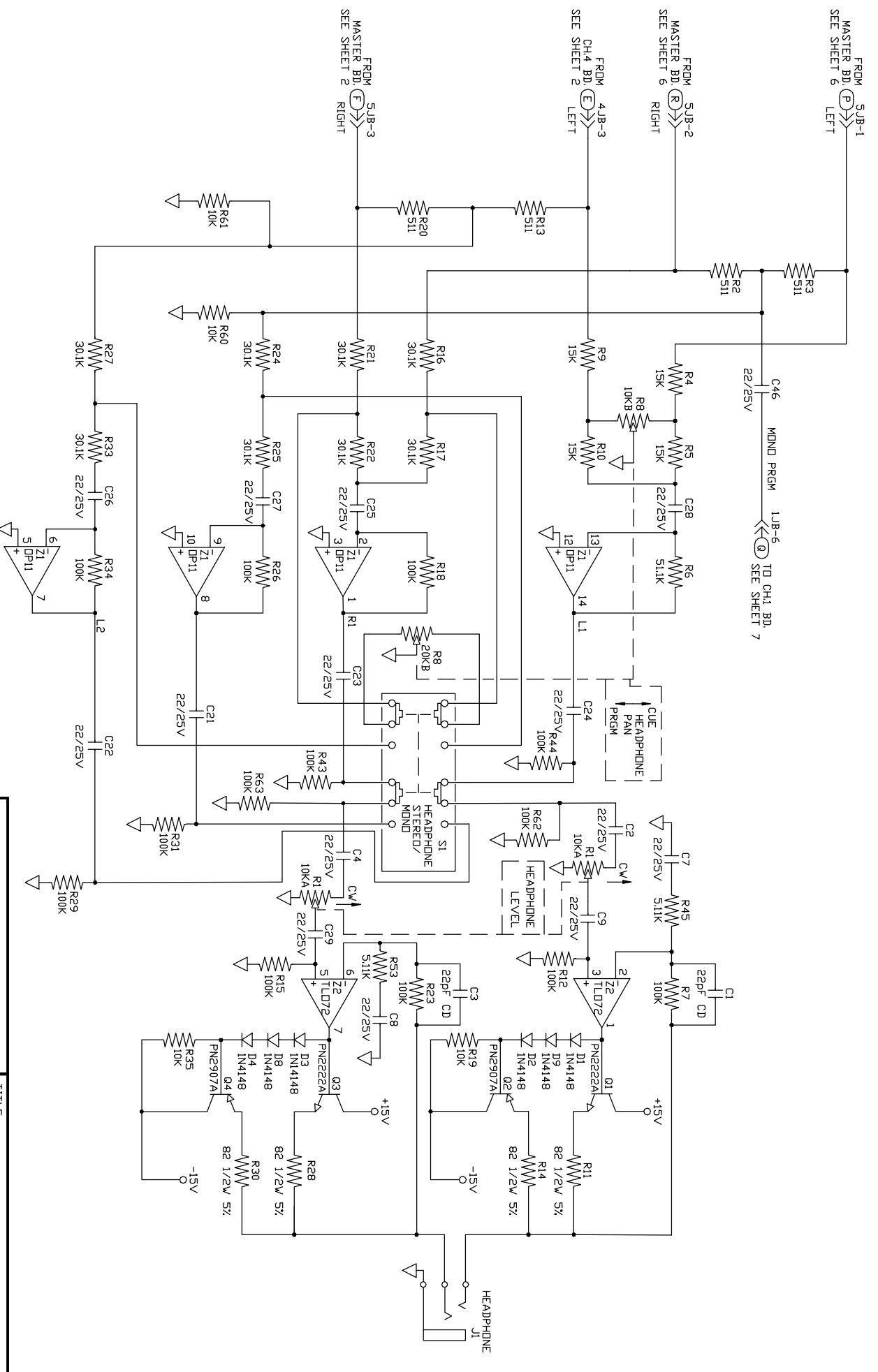
Corp. 10802 47th Avenue West, Mukilteo  
 WA 98275-5098 (425) 355-6000

TITLE: SCHEM: MAIN BOARD  
 MP 24Z

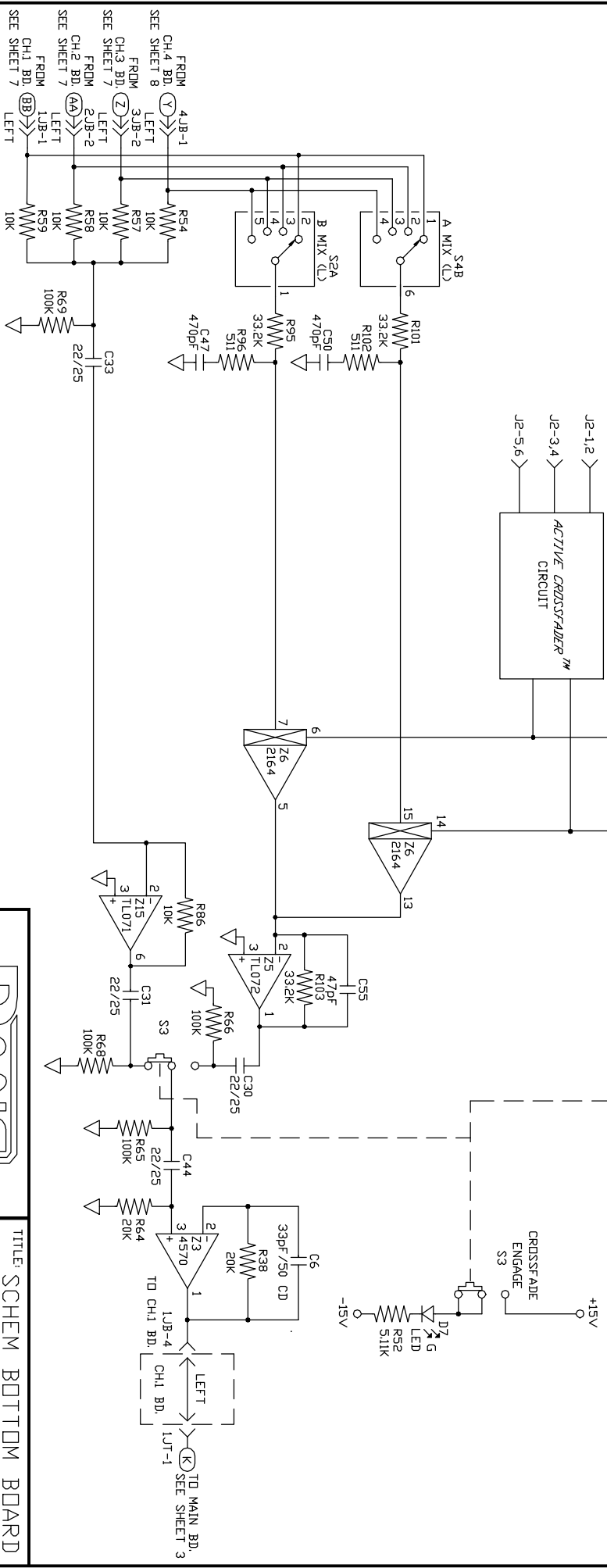
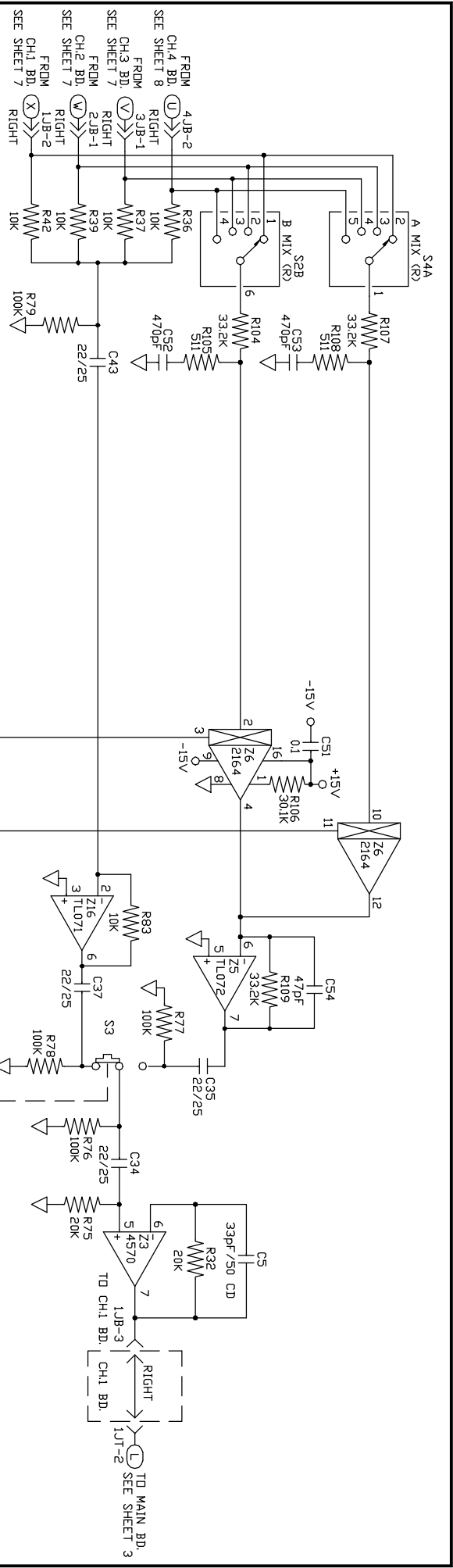
- NOTES (UNLESS OTHERWISE SPECIFIED)
1. ALL RES: 1% METAL FILM.
  2. ALL CAPS: 100V POLY.
  3. POWER SUPPLY CONNECTIONS: POS. SUPP. NEG. SUPP.
  4. ALL SW'S SHOWN IN THEIR 'OUT' OR 'OFF' POSITION
  5. ALL BOARD TO BOARD CONNECTIONS ARE ON SHEET 6







ACTION: NEW MODEL NAME: NEW DDC#  
 DRAWN: RWJ DATE: 25SEP92 CHECKED: SKH DATE: 14SEP92 SHEET: 4 OF 9 REVISED: SKH APPROVED: RWJ DATE: 21SEP98  
 TITLE: SCHEM BOTTOM BOARD  
 MP 24Z  
 102238  
 DDC: ND  
 Corp. 10802 47th Avenue West, Mukilteo  
 WA 98275-5098 (425) 355-6000

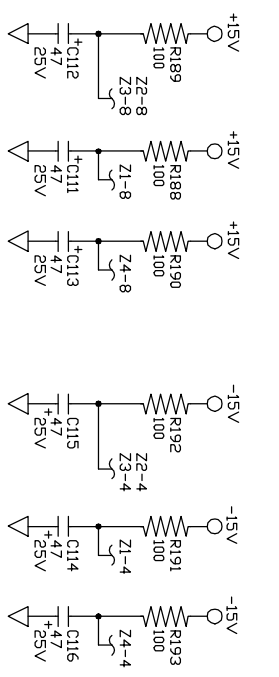
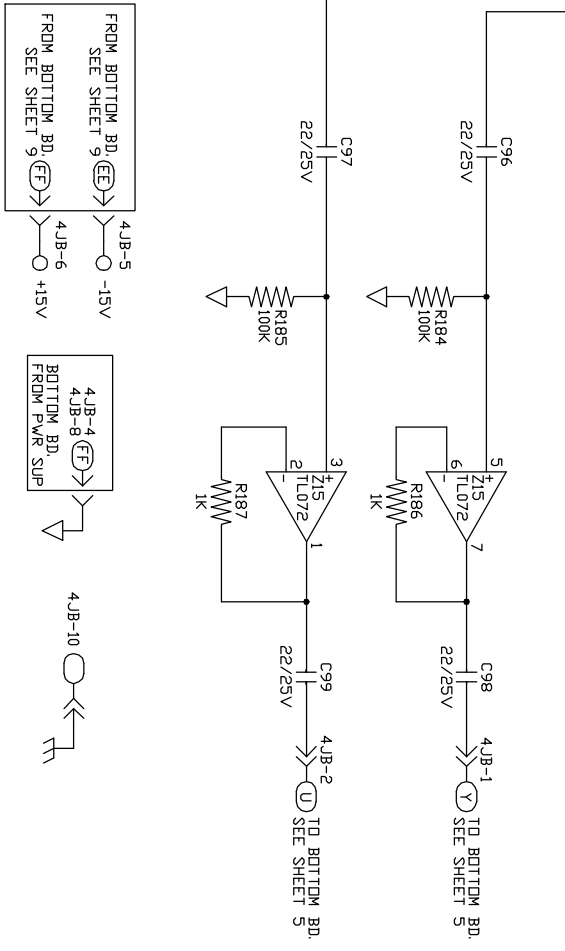
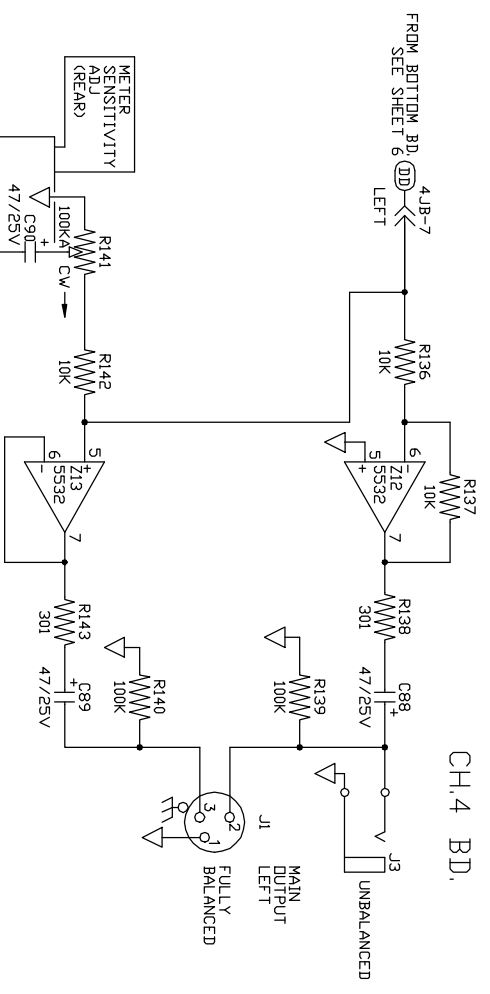
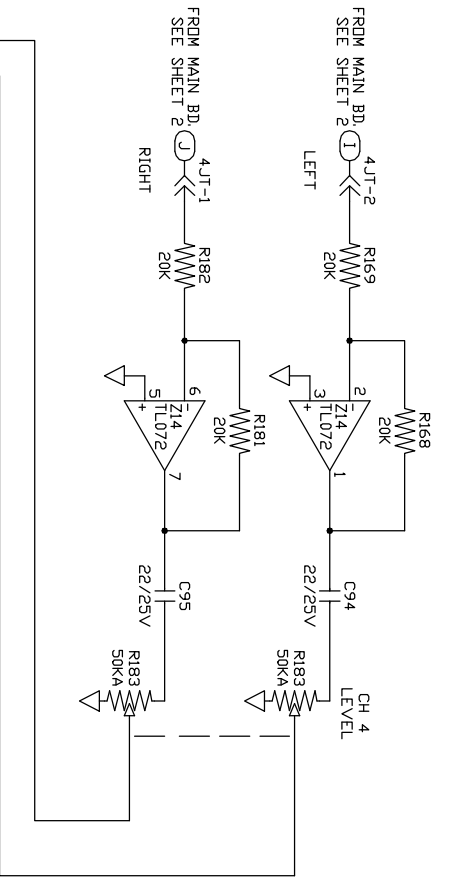


ACTION: NEW MODEL NAME: NEW DDC#  
 DRAWN: RWJ DATE: 11AUG92 CHECKED: SKH DATE: 02DEC93 SHEET: 5 OF 9 REVISED: SKH APPROVED: RWJ DATE: 21SEP98  
 TITLE: SCHEM BOTTOM BOARD  
 MP 24Z  
 102238  
 DDC: ND  
 Corp. 10802 47th Avenue West, Mukilteo  
 WA 98275-5098 (425) 355-6000  
 RANE  
 DD NOT SCALE DRAWING

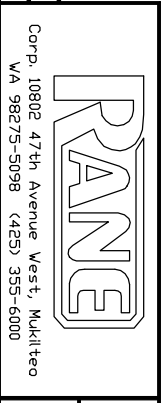








ACTION: NEW MODEL NAME: NEW DDC#  
 DRAWN: RWJ DATE: 02SEP92 CHECKED: RGH DATE: 14SEP92 SHEET: 8 OF 9 REVISED: SKH APPROVED: RWJ DATE: 21SEP98  
 DD NOT SCALE DRAWING



TITLE: SCHEM CH 4 BOARD  
 MP 24Z  
 DDC: ND.  
 102238

