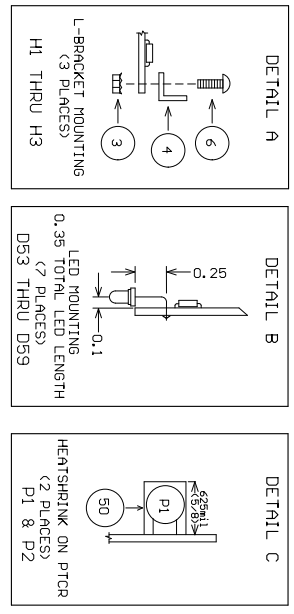
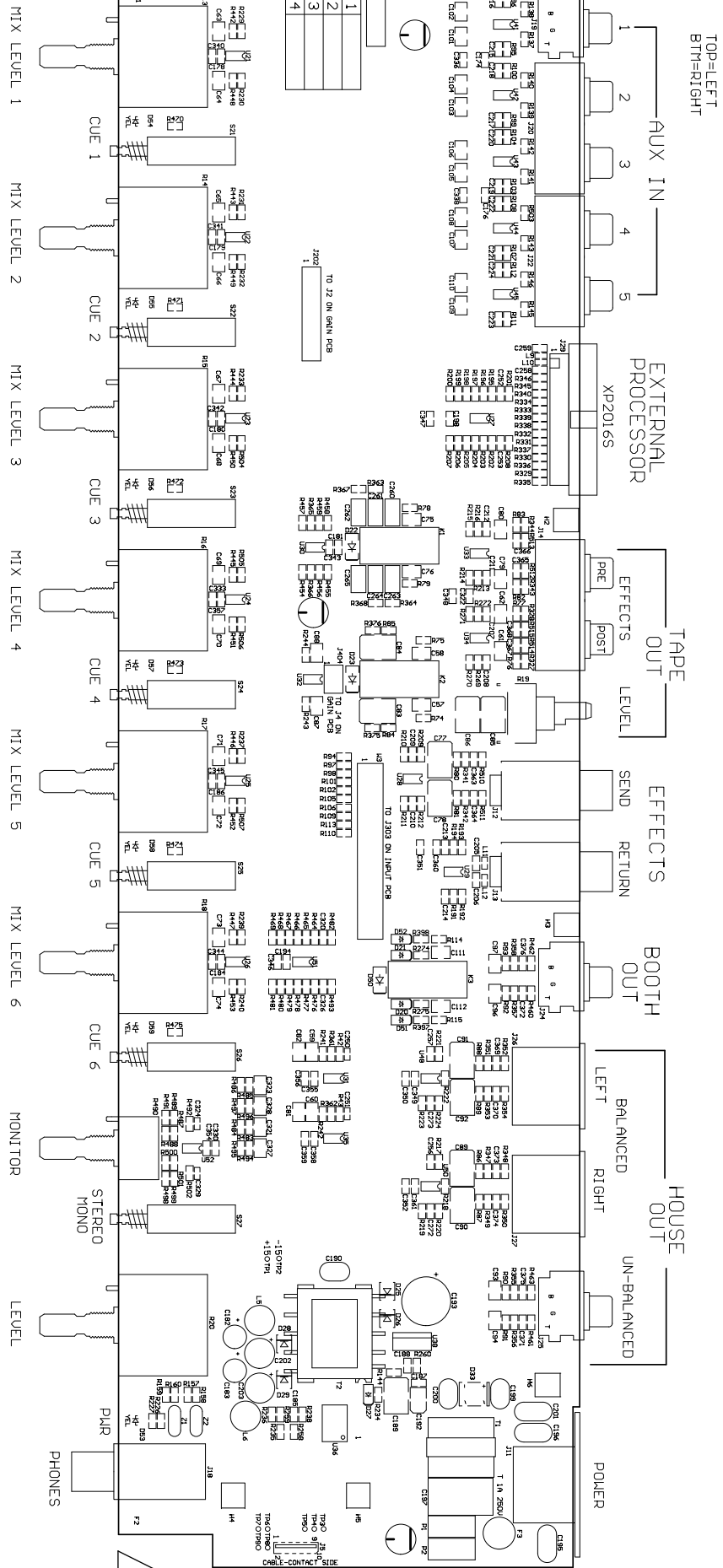
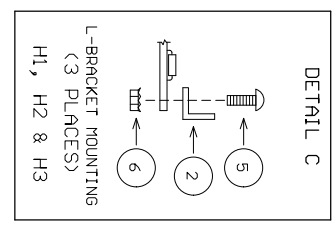
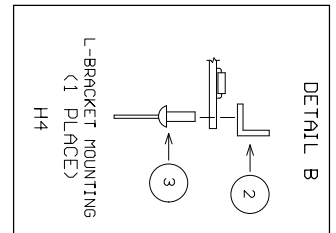
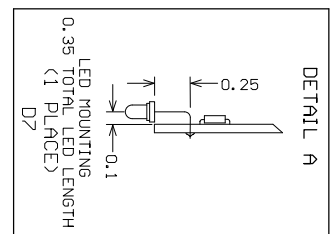
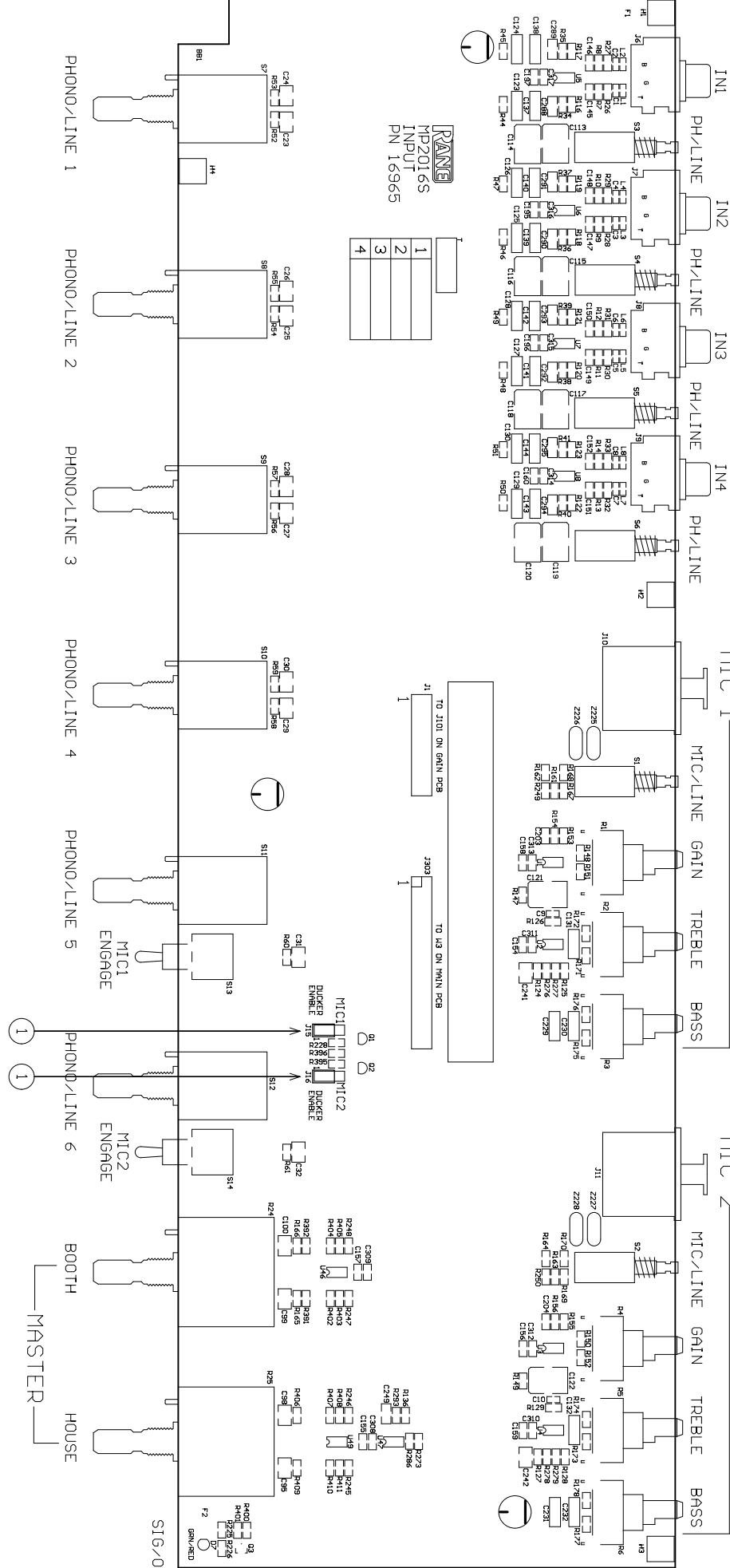


MP2016S MAIN
PN 16968



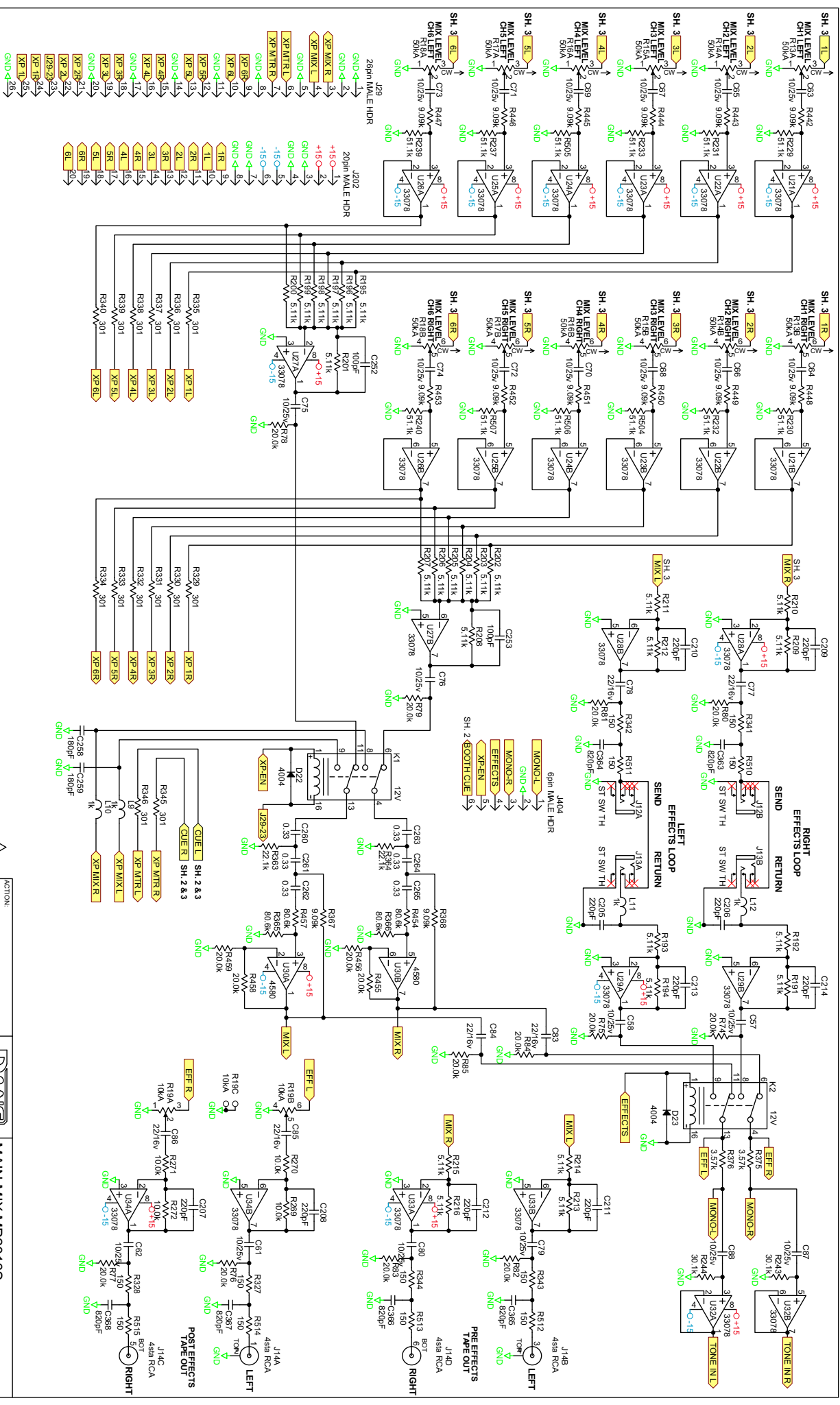
*PREP NOTE - MASK H6 & ALL 7 LED'S

110533 FILM 1 OF 5 TOP SILKSCREEN I.D. MP2016S MAIN



*PREP NOTE:
MASK LARGE SLOT IN PCB & LED (LOWER RIGHT CORNER)

110537 FILM 1 OF 5 TOP SILKSCREEN I.D. MP2016S INPUT



MAIN PCB

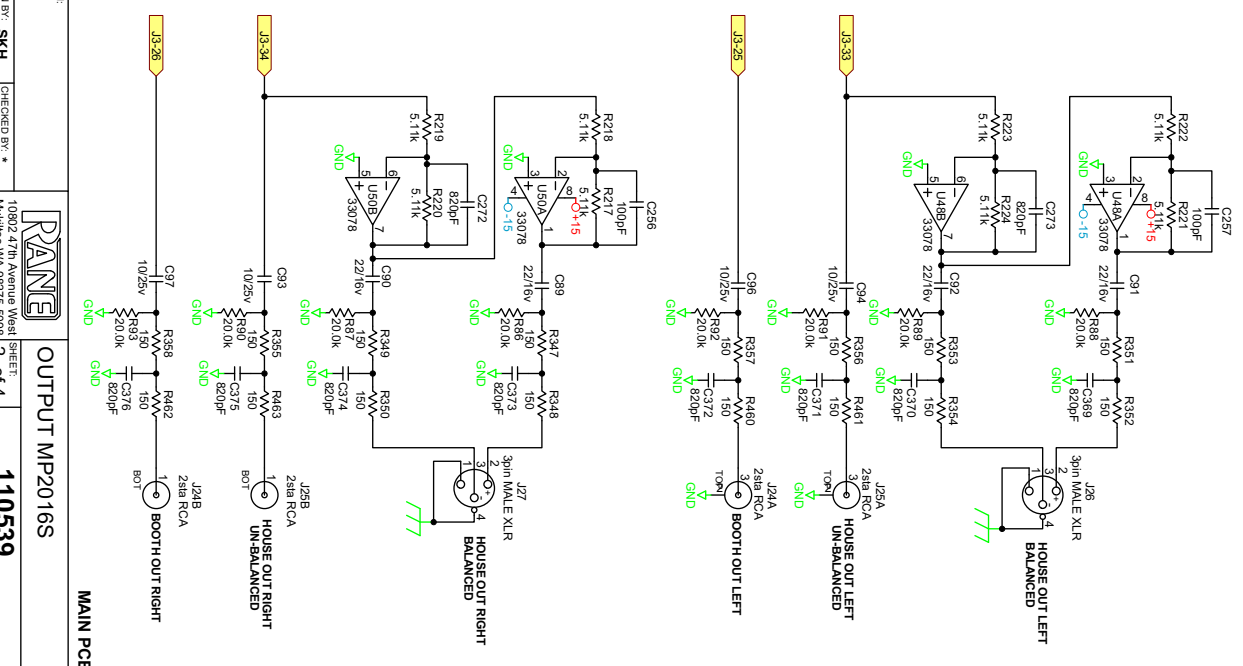
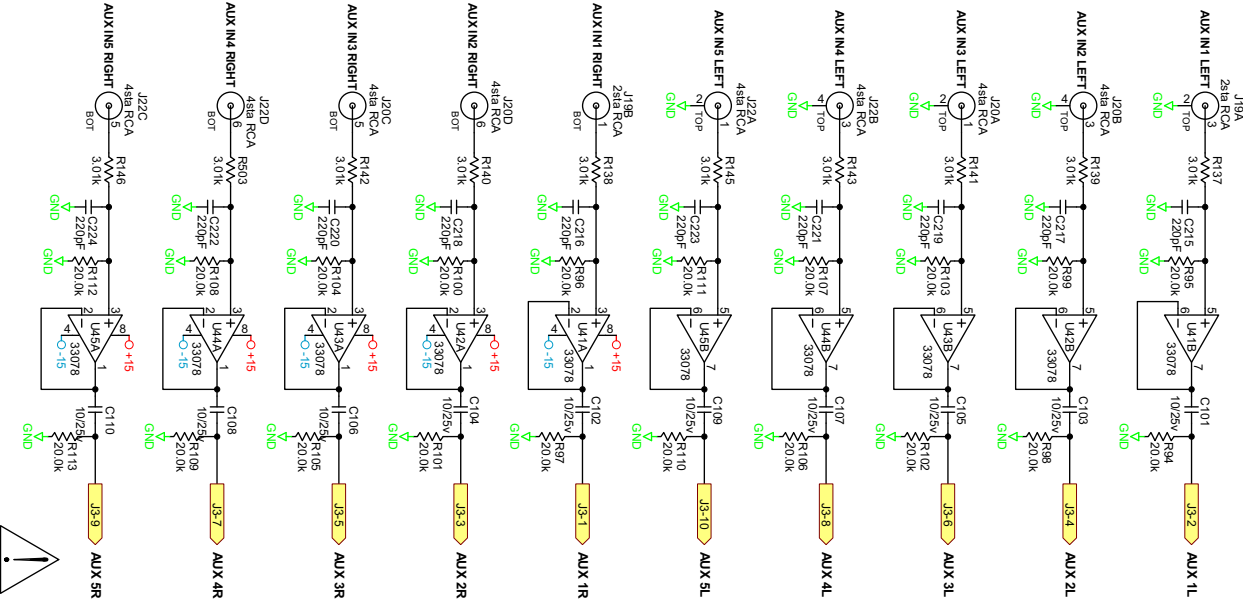
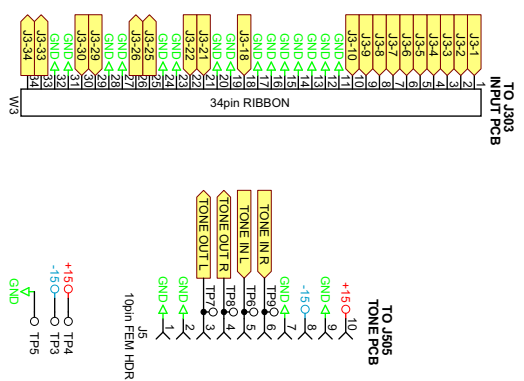
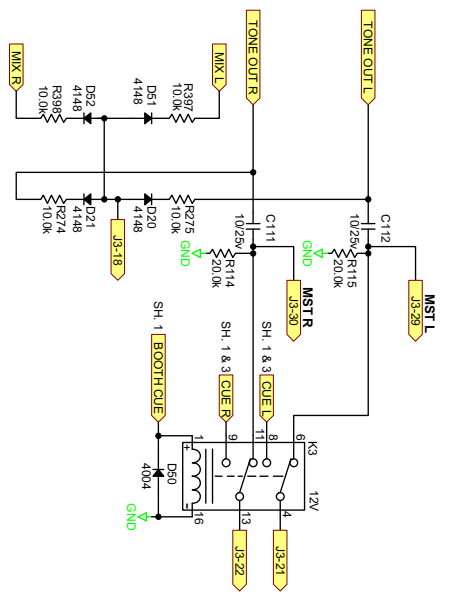


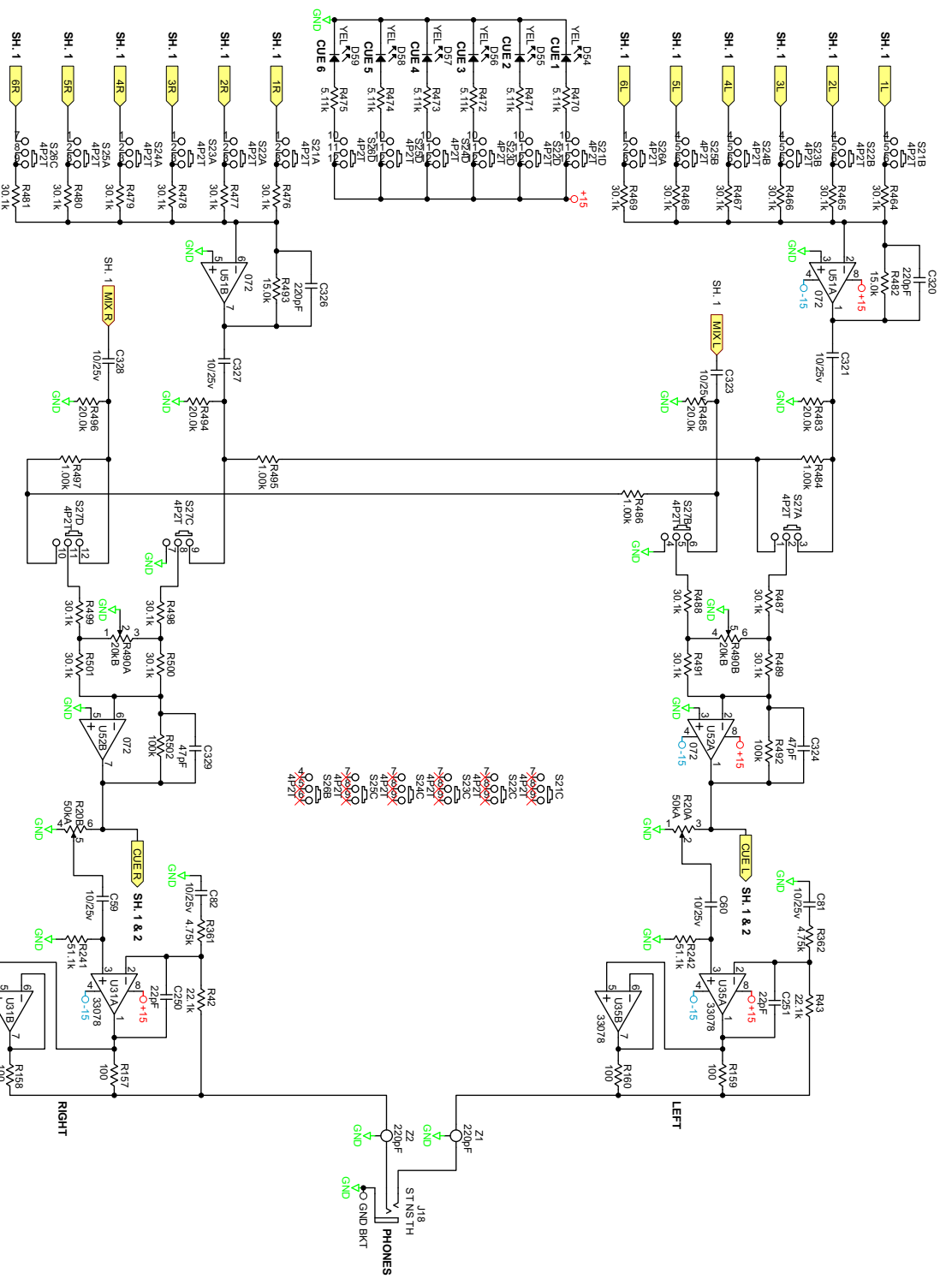
ACTION:
 DRAWN BY: SKH
 CHECKED BY: *

10802 47th Avenue West (SHEET)
 Mukilteo WA 98275-5098

PANE
 MAIN MIX MP2016S
 1 OF 4

1105339



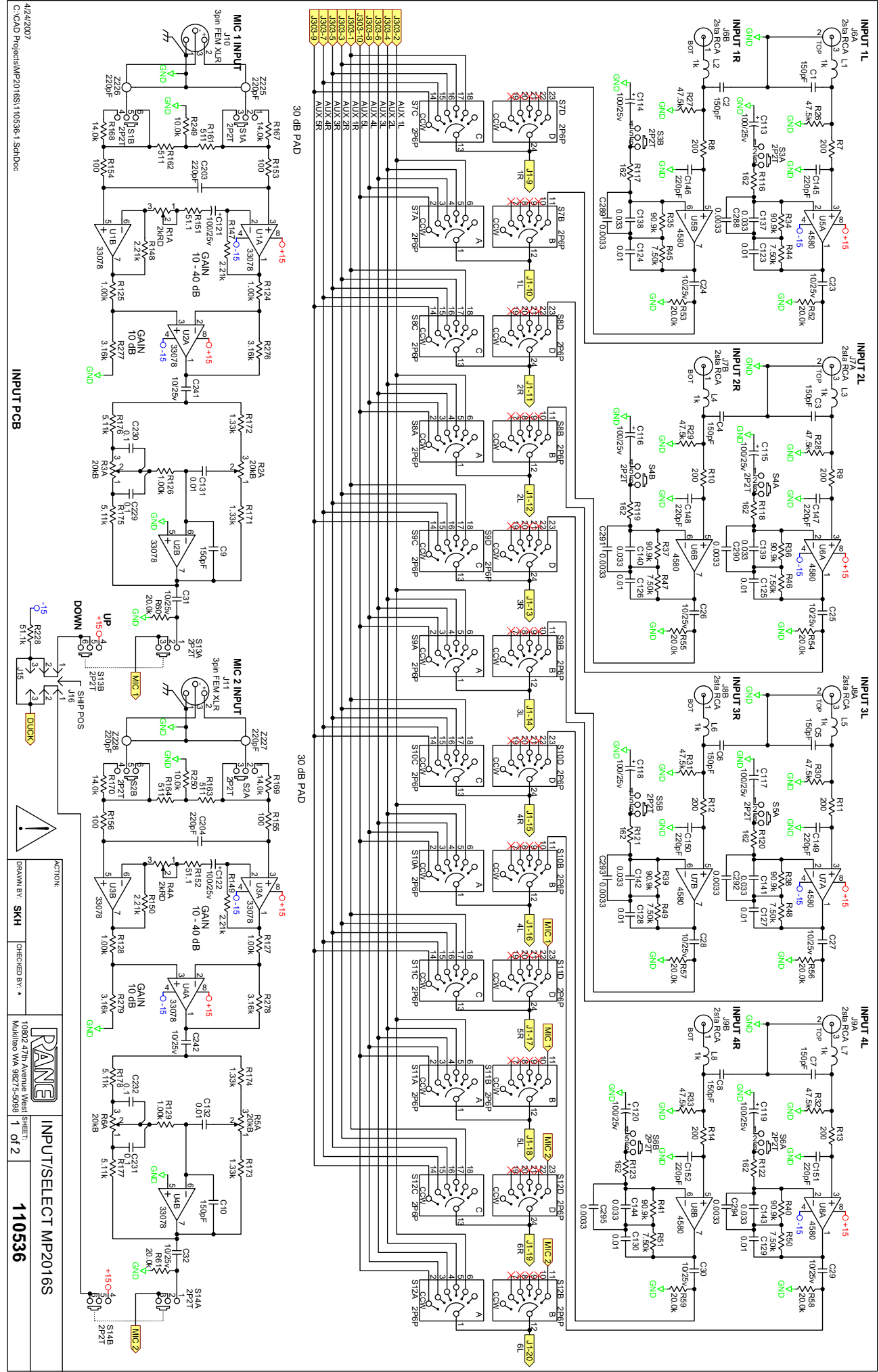


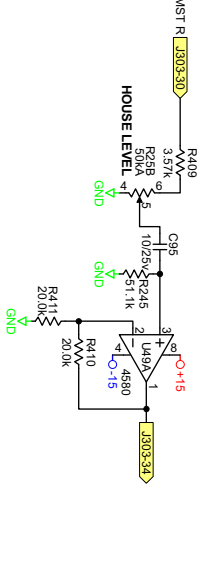
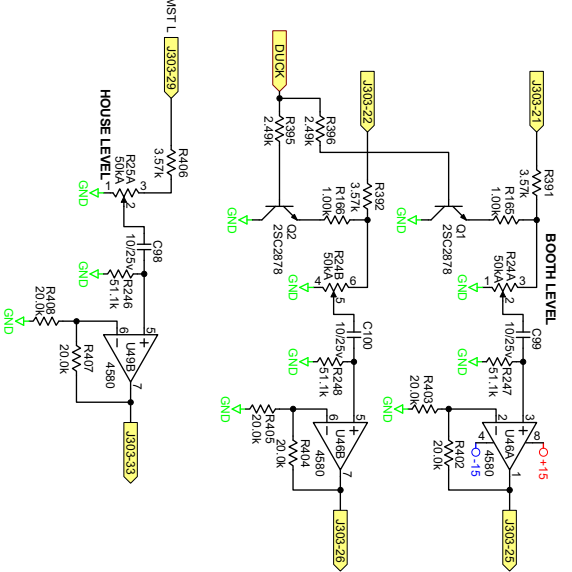
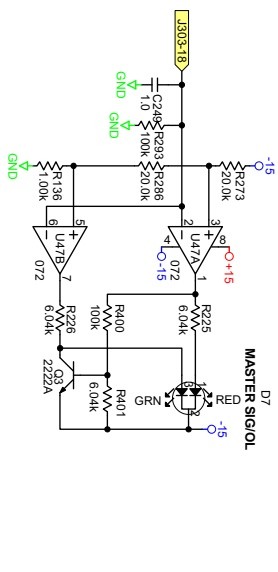
- S21C
- S22C
- S23C
- S24C
- S25C
- S26C
- S27C
- S28C
- S29C
- S30C
- S31C
- S32C
- S33C
- S34C
- S35C
- S36C
- S37C
- S38C
- S39C
- S40C
- S41C
- S42C
- S43C
- S44C
- S45C
- S46C
- S47C
- S48C
- S49C
- S50C
- S51C
- S52C
- S53C
- S54C
- S55C
- S56C
- S57C
- S58C
- S59C
- S60C

MAIN PCB

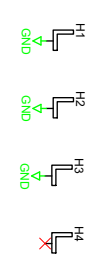
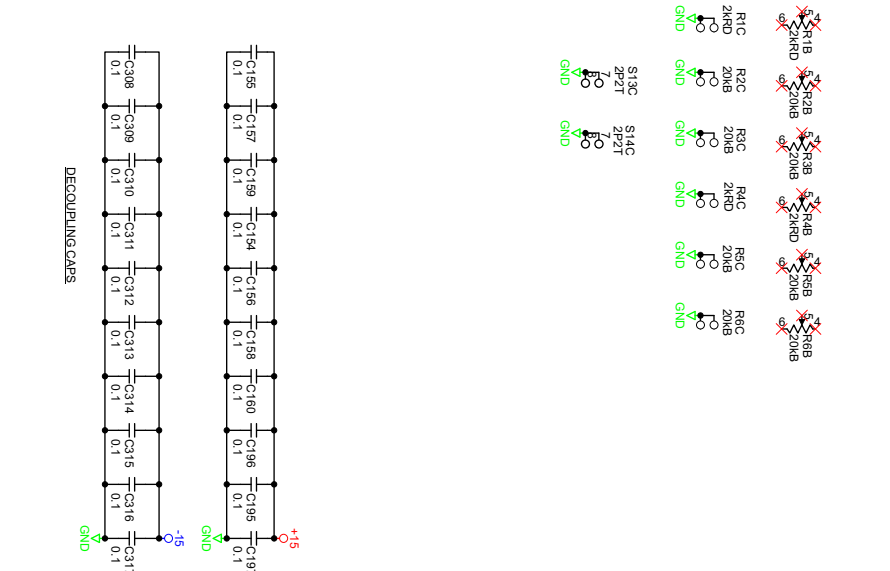
ACTION:	10902 47th Avenue West Murkhibo WA 98275-5098
DRAWN BY:	SKH
CHECKED BY:	*
SHEET	3 of 4
110539	

CUE MONITOR MP2016S





- J1
20pin MALE HDR
+15C
+15C
GND-1
GND-2
GND-3
GND-4
GND-5
GND-6
GND-7
GND-8
GND-9
GND-10
GND-11
GND-12
GND-13
GND-14
GND-15
GND-16
GND-17
GND-18
GND-19
GND-20
- J303
34pin MALE HDR
J303-1
J303-2
J303-3
J303-4
J303-5
J303-6
J303-7
J303-8
J303-9
J303-10
J303-11
J303-12
J303-13
J303-14
J303-15
J303-16
J303-17
J303-18
J303-19
J303-20
J303-21
J303-22
J303-23
J303-24
J303-25
J303-26
J303-27
J303-28
J303-29
J303-30
J303-31
J303-32
J303-33
J303-34



INPUT PCB



ACTION:	DRAWN BY: SKH	CHECKED BY: *	10902 47th Avenue West Murkhibo WA 98275-5098	SHEET 2 OF 2	OUTPUT MP2016S 110536
---------	---------------	---------------	--	--------------	--------------------------

