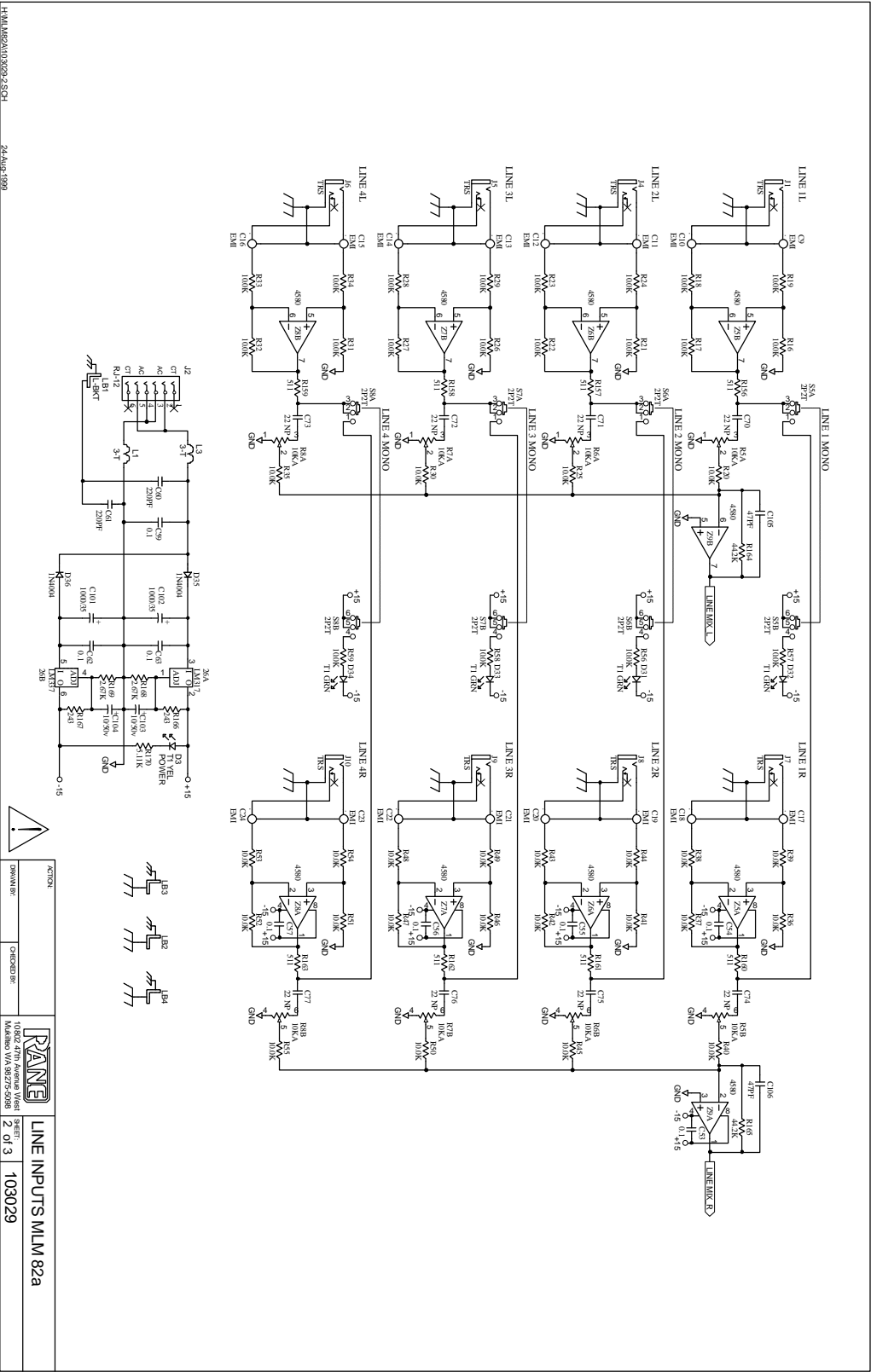


ACTOR  
DRAWN BY: \_\_\_\_\_  
CHECKED BY: \_\_\_\_\_



MIC INPUTS MLM 82a  
10802 47th Avenue West  
Maplewood, WA 98275-5088  
1 of 3



**PANE**  
10802 47th Avenue West  
Maplewood, WA 98275-5088

LINE INPUTS MILM 82a  
SHEET 2 of 3  
103029



ACTION:

DRAWN BY:

CHECKED BY:



10902 47th Avenue West  
Mableton VA 98275-5098

SHEET:

3 of 3

MIX/OUTPUT MLM 82a

103029

