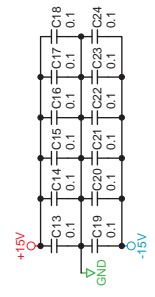
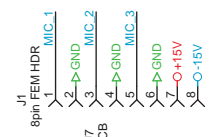
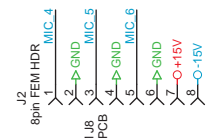
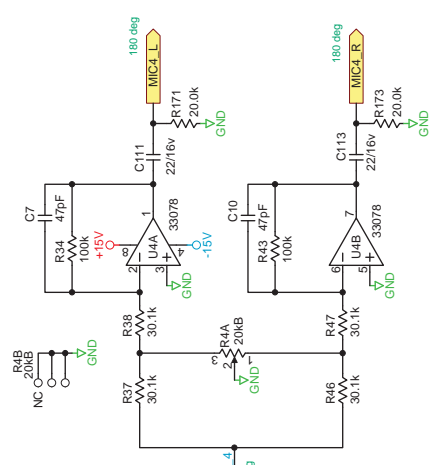
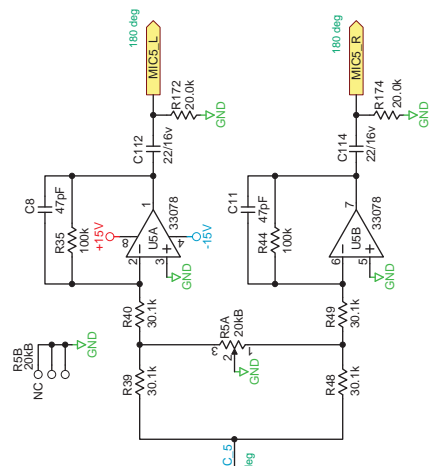
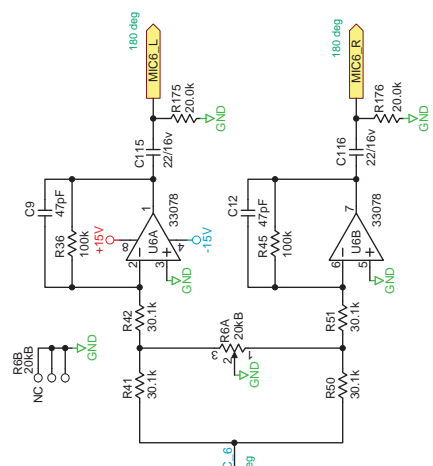
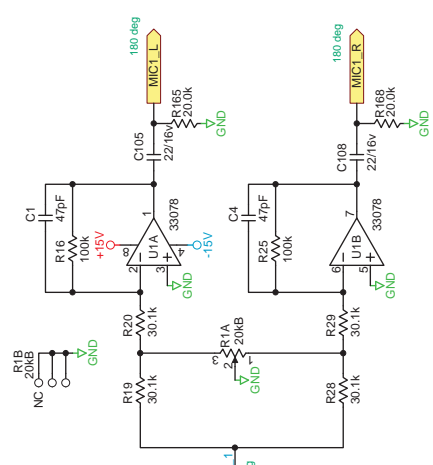
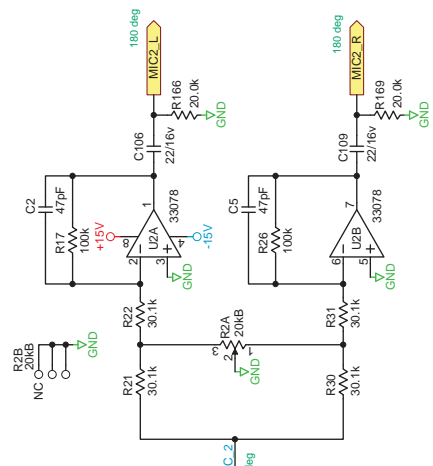
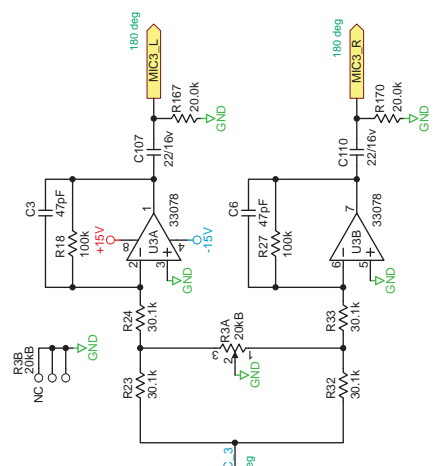


PREP NOTE:
 MASK HOLES H1 THRU H9
 MASK THE LED (D16)

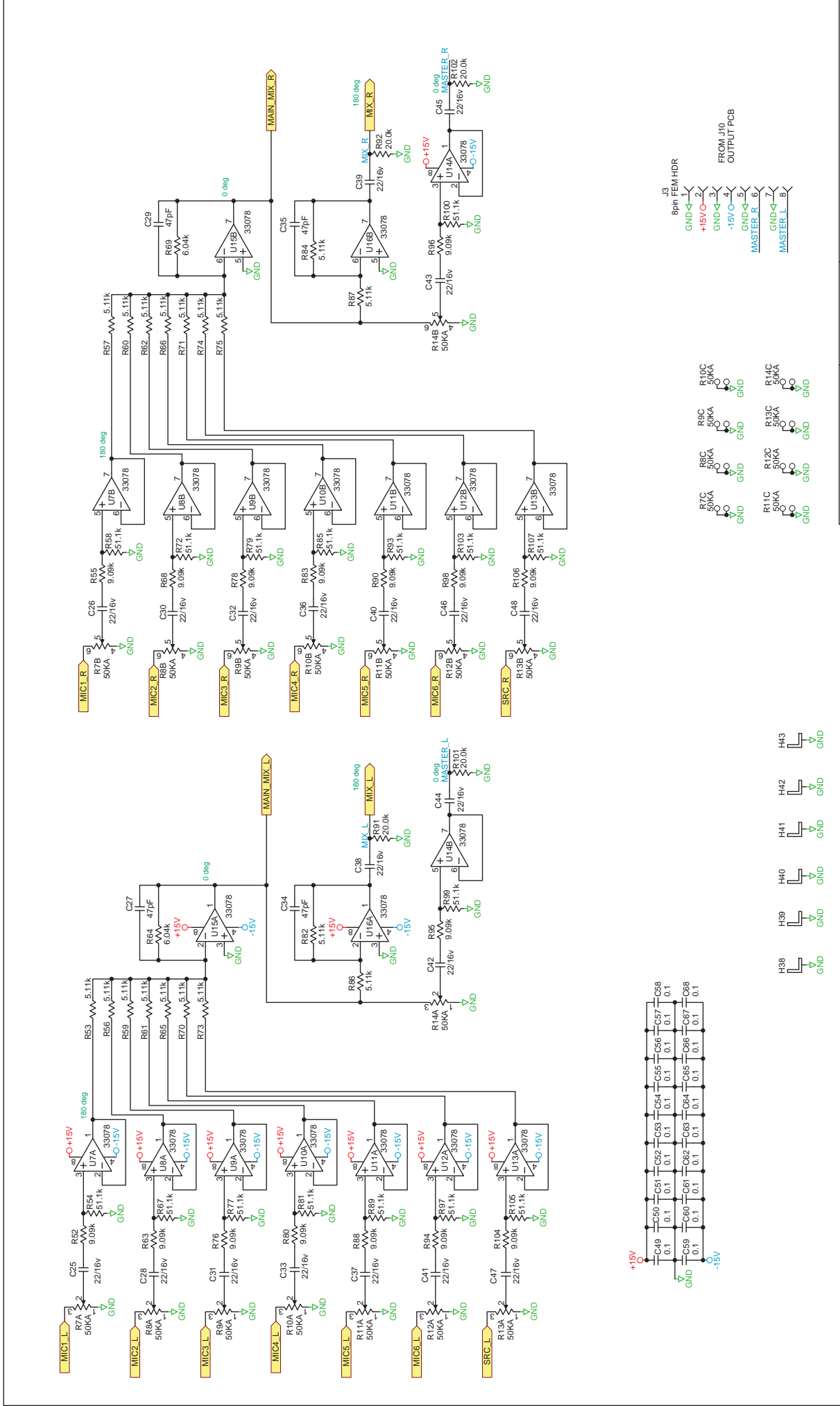
113204 FILM 1 OF 8 TOP SILKSCREEN OUTPUT MLM65

TOUCH UP NOTE:
 TRIM LEADS OF ALL
 POWER SUPPLY PARTS



ACTION: NO CHANGE THIS SHEET.
 WAS 112351 18DEC09 SKH
 DRAWN BY: DB CHECKED BY: RJ

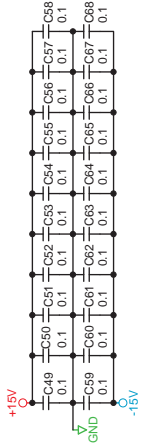
FRONT MLM65
 10802 47th Avenue West
 Mukilteo WA 98275-5998

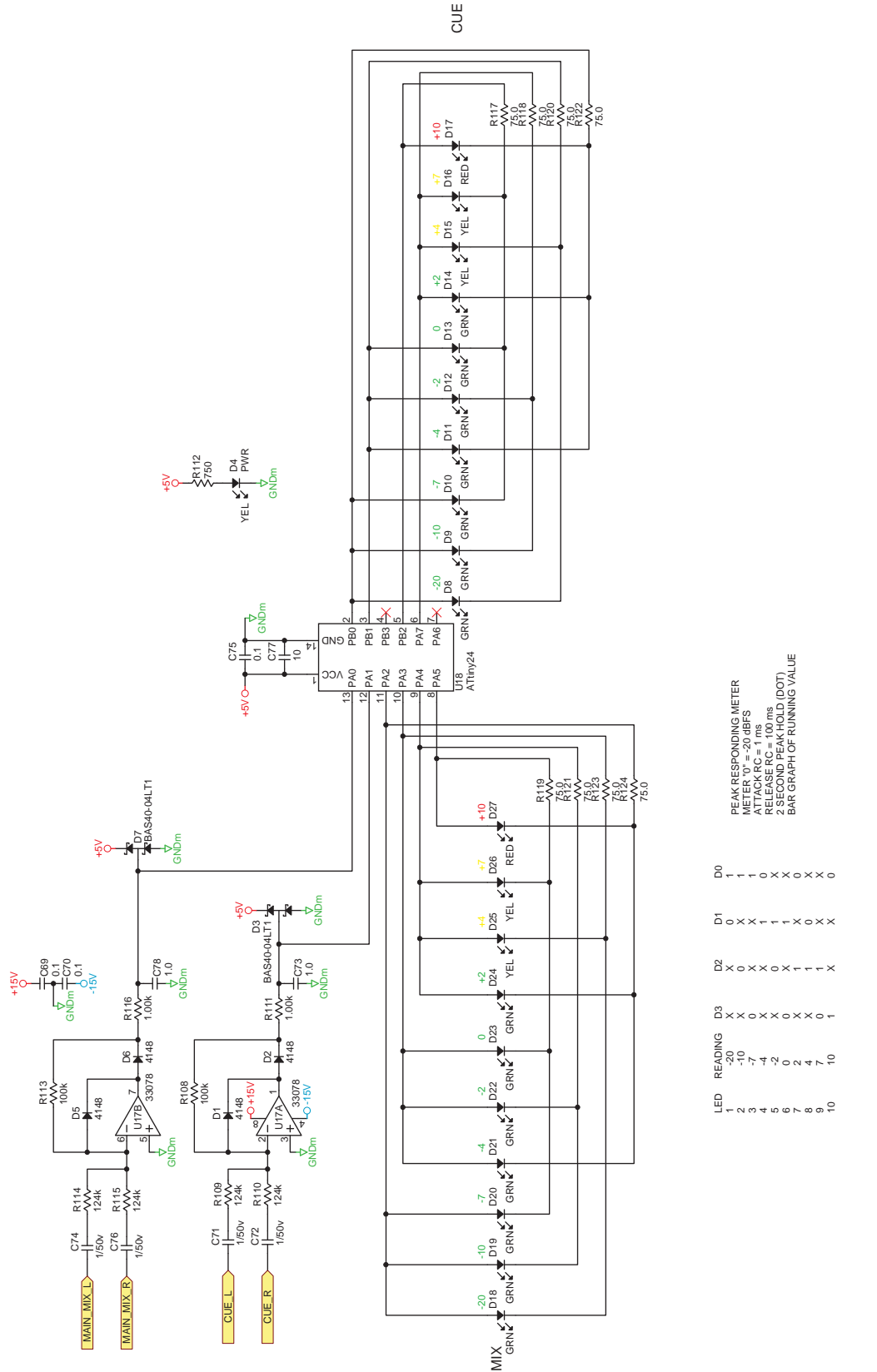


J3
8pin FEM HDR
 GND<- 1
 +15V<- 2
 GND<- 3
 -15V<- 4
 GND<- 5
 MASTER R<- 6
 GND<- 7
 MASTER L<- 8

R7C 500K
 R8C 500K
 R9C 500K
 R10C 500K
 R11C 500K
 R12C 500K
 R13C 500K
 R14C 500K

H38
 H39
 H40
 H41
 H42
 H43

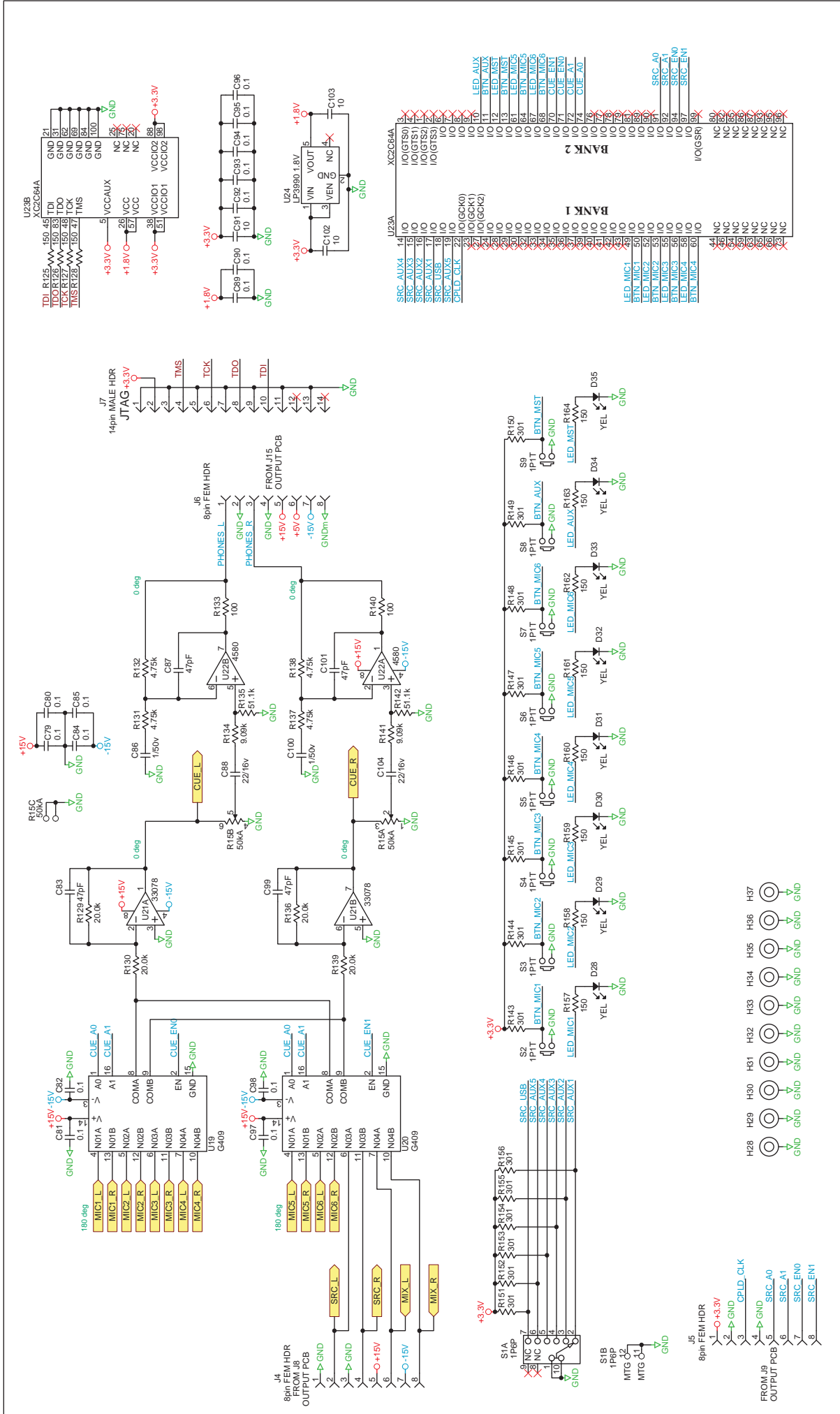




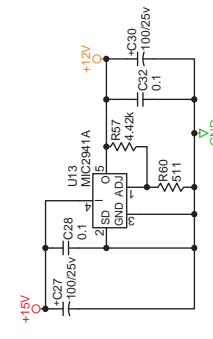
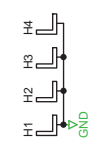
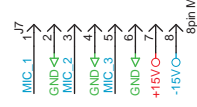
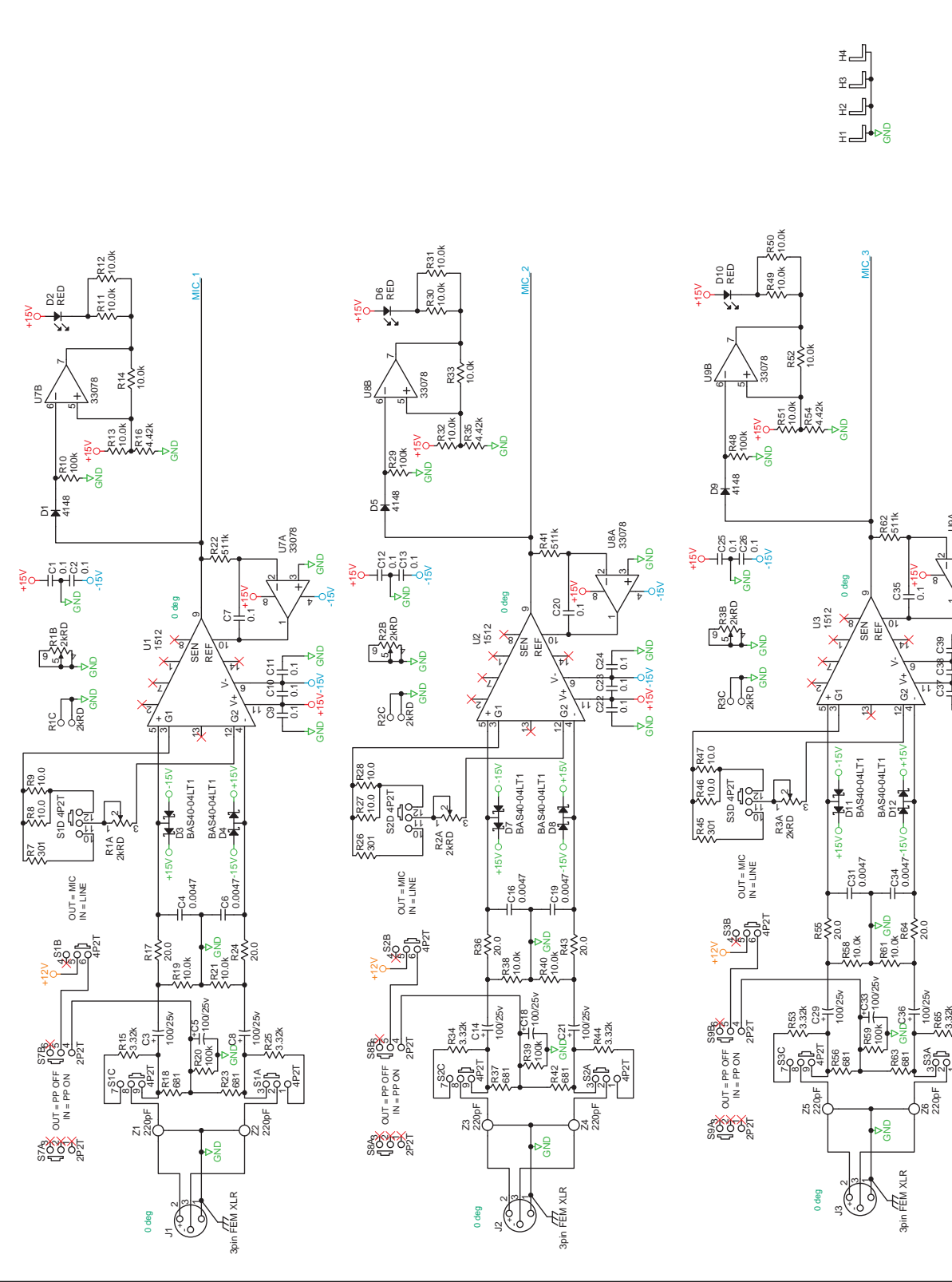
PEAK RESPONDING METER
 METER 10⁻²⁰dBFS
 ATTACK RC = 1 ms
 RELEASE RC = 100 ms
 2 SECOND PEAK-HOLD (DOT)
 BAR GRAPH OF RUNNING VALUE

LED	READING	D3	D2	D1	D0
1	-20	X	X	0	1
2	-10	X	0	X	1
3	-7	0	X	X	1
4	-2	X	0	1	X
5	0	X	X	1	X
6	2	0	X	X	X
7	4	X	X	1	X
8	4	X	X	1	X
9	7	0	1	0	X
10	10	1	X	X	0





Pad	Gain	Total	Max Input
Line (min)	-14.7dB	8.54dB	-6.16dB
Line (max)	-14.7dB	24.7dB	10.0dB
Mic (min)	0dB	9.52dB	9.52dB
Mic (max)	0dB	60.0dB	60.0dB



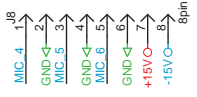
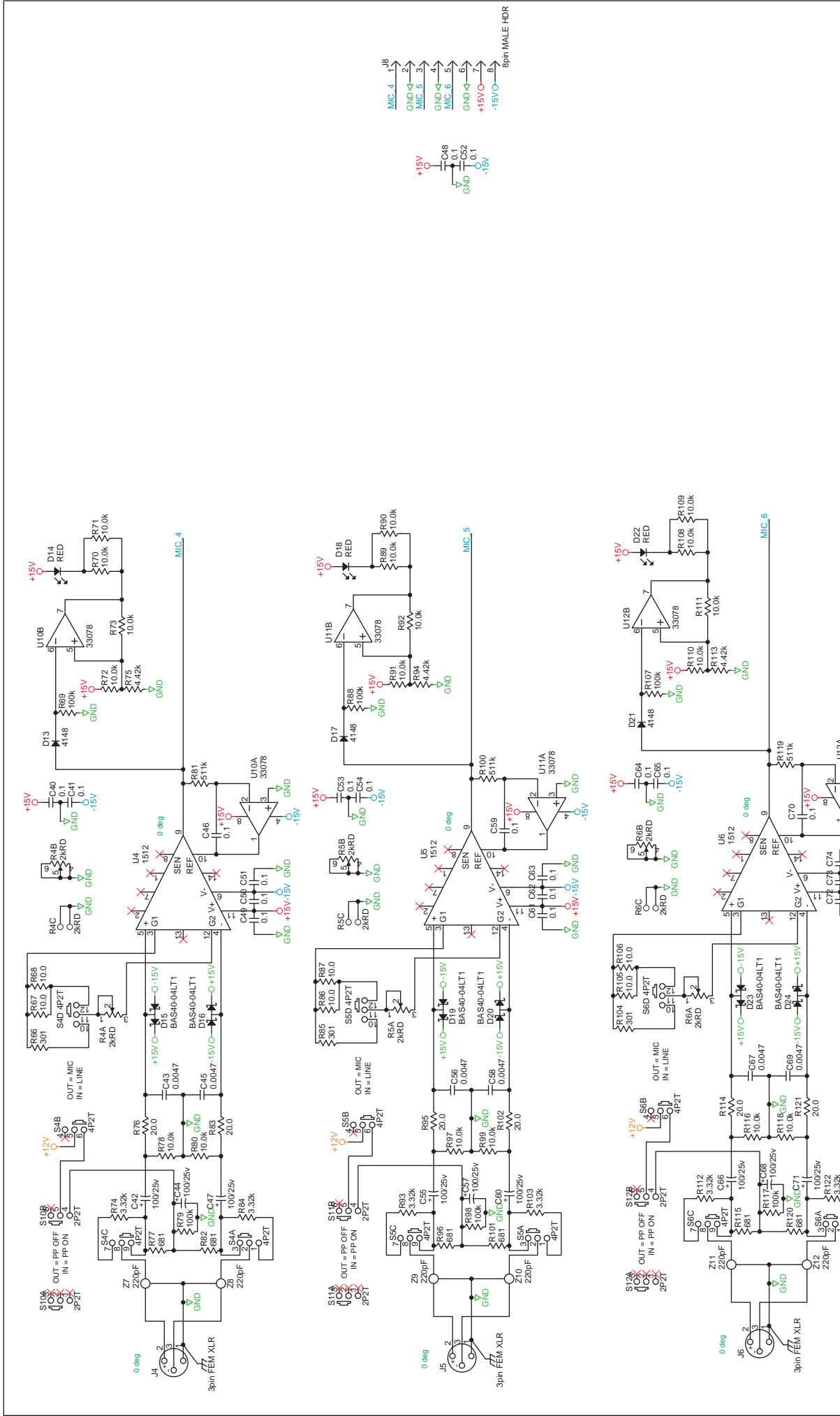
RANE
 10802 47th Avenue West
 Mukilteo WA 98275-5998

ACTION: 0.0047 WERE 0.003.
 WAS 112352 18DEC09 SKH

CHECKED BY: RJ
 DRAWN BY: DB

INPUT MLM65
 1 Of 2

11/3/2010
 C:\CAD Projects\MLM65\INPUT-1.SchDoc



1/13/2010
 C:\CAD Projects\MLM65\INPUT-2.SchDoc

ACTION: 0.0047 WERE 0.003.
 WAS 112352 18DEC09 SKH

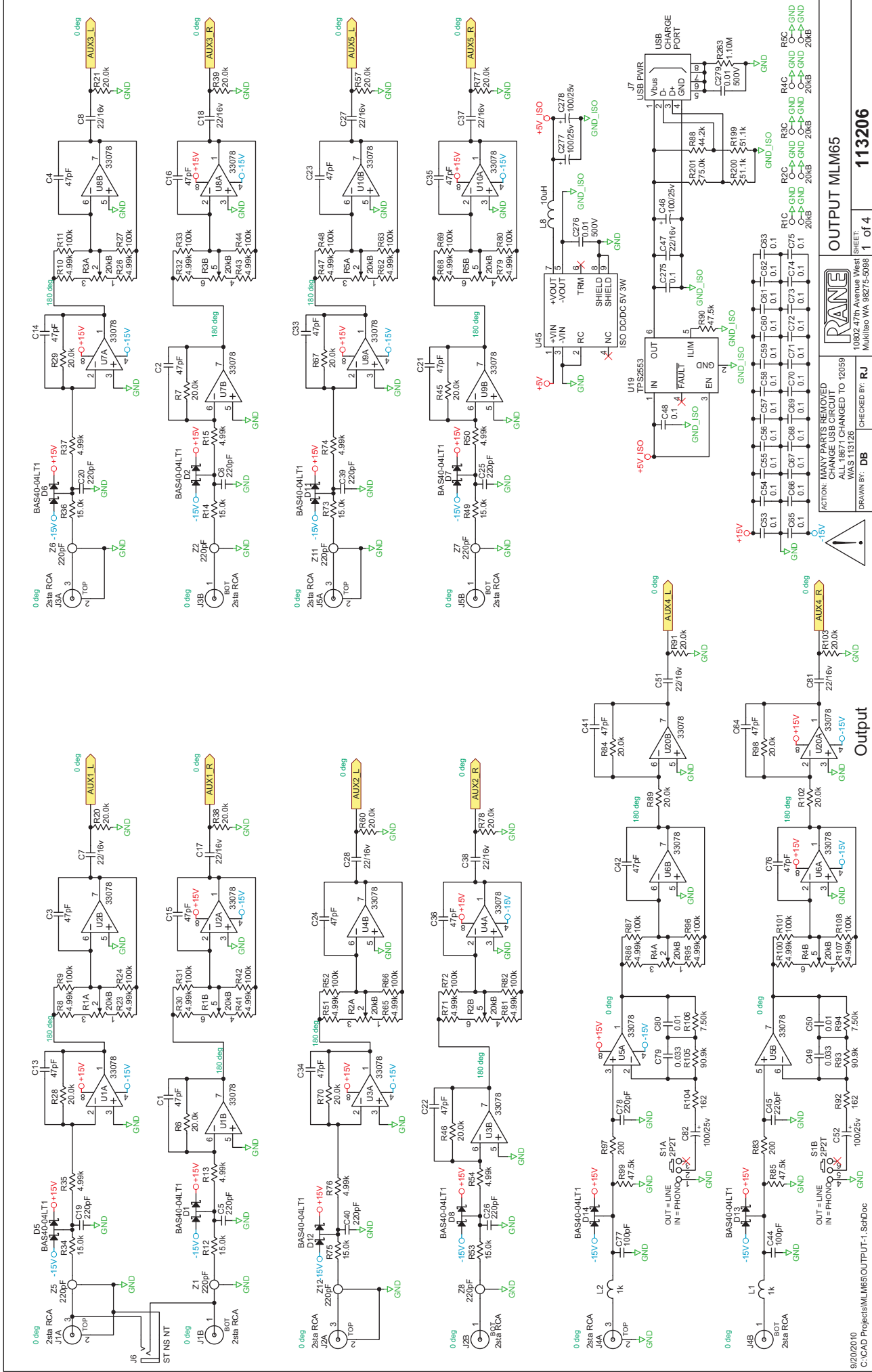
DRAWN BY: DB CHECKED BY: RJ

INPUT MLM65

10802 47th Avenue West
 Mukilteo WA 98275-5098

112639

2 of 2



OUTPUT MLM65

RANE

ACTION: MANY PARTS REMOVED
 CHANGE USB CIRCUIT
 ALL 18671 CHANGED TO 12059
 MMS 15126

10802 47th Avenue West
 Mukilteo WA 98275-5098

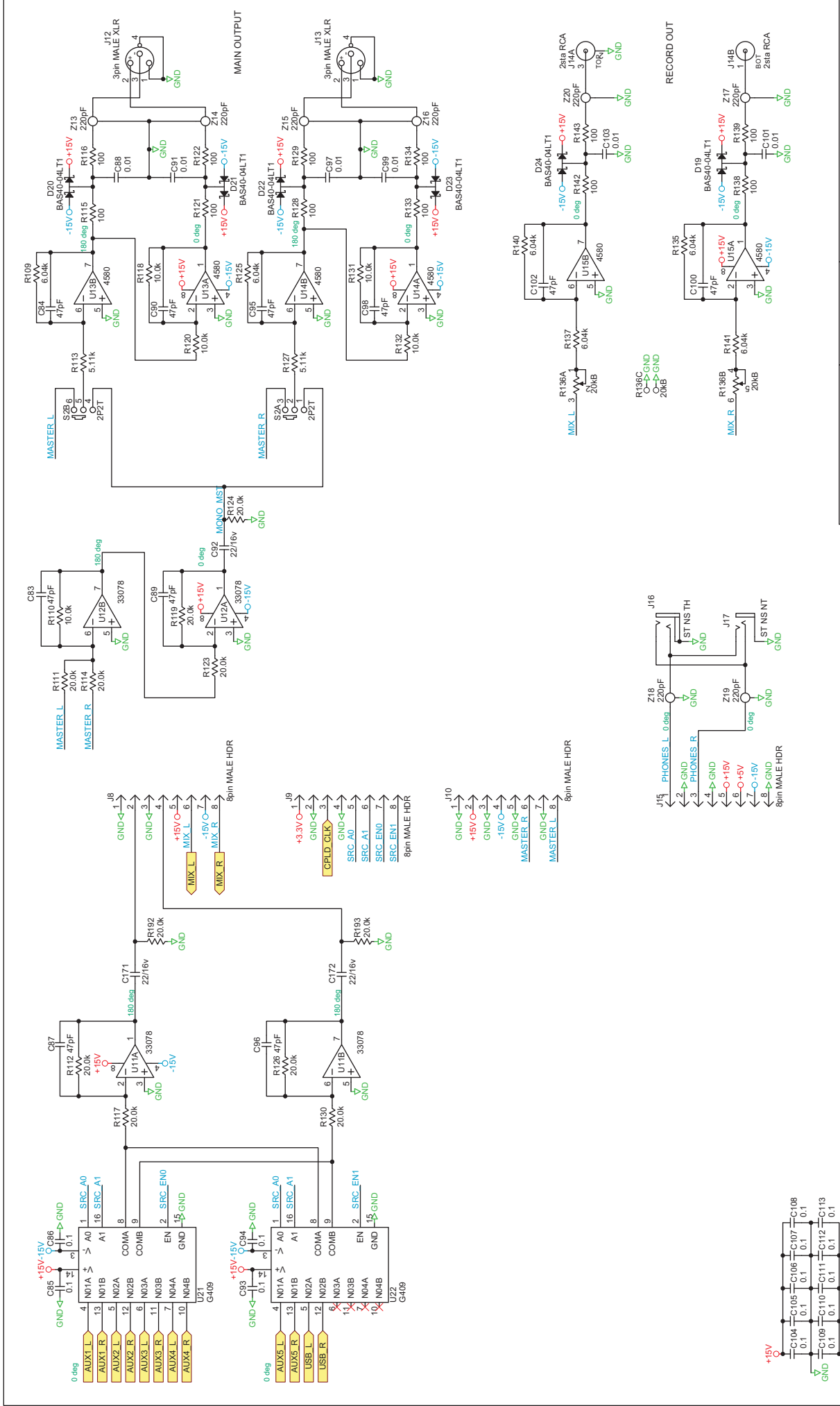
CHECKED BY: **RJ**

1 OF 4

113206

Output

9/20/2010
 C:\CAD Projects\MLM65\OUTPUT_1.SchDoc



9/20/2010
 C:\CAD Projects\MLM65\OUTPUT-2.SchDoc

ALL 16671 CHANGED TO 12059
 WAS 113126

CHECKED BY: **RJ**

DRAWN BY: **DB**

OUTPUT MLM65

10802 47th Avenue West
 Mukilteo WA 98275-5098

2 OF 4

113206

Output

