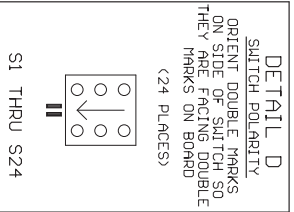
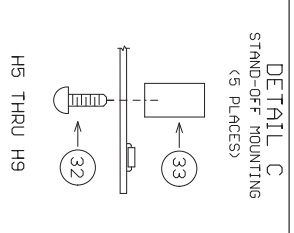
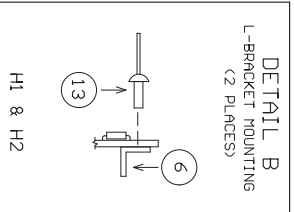
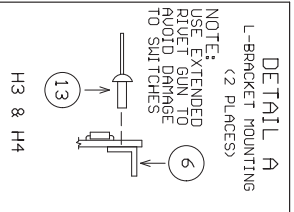
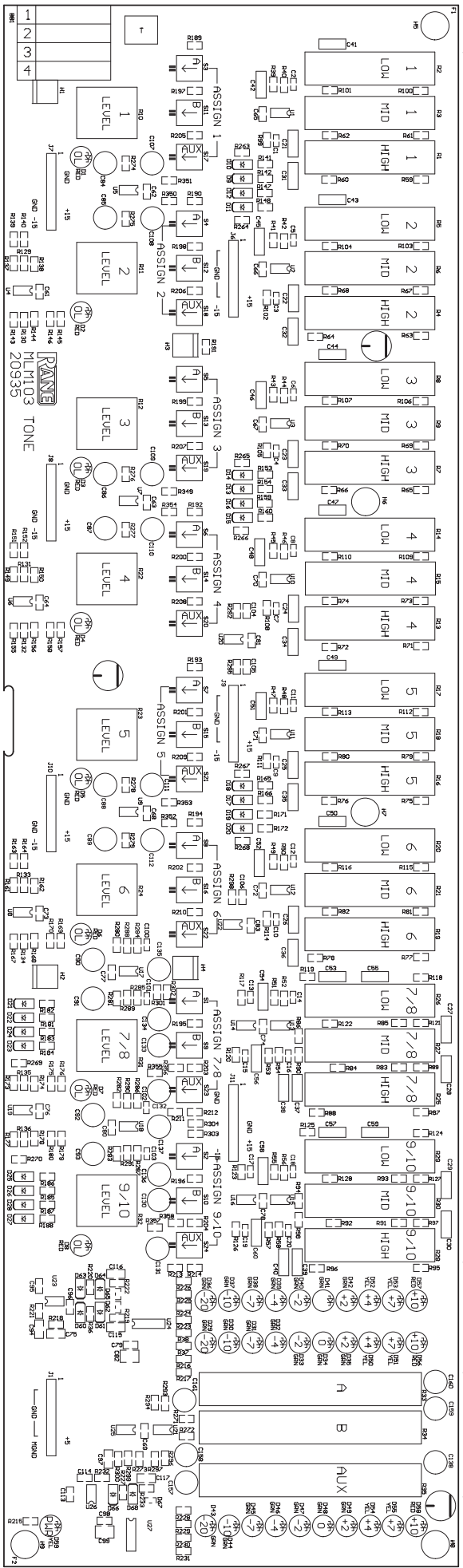


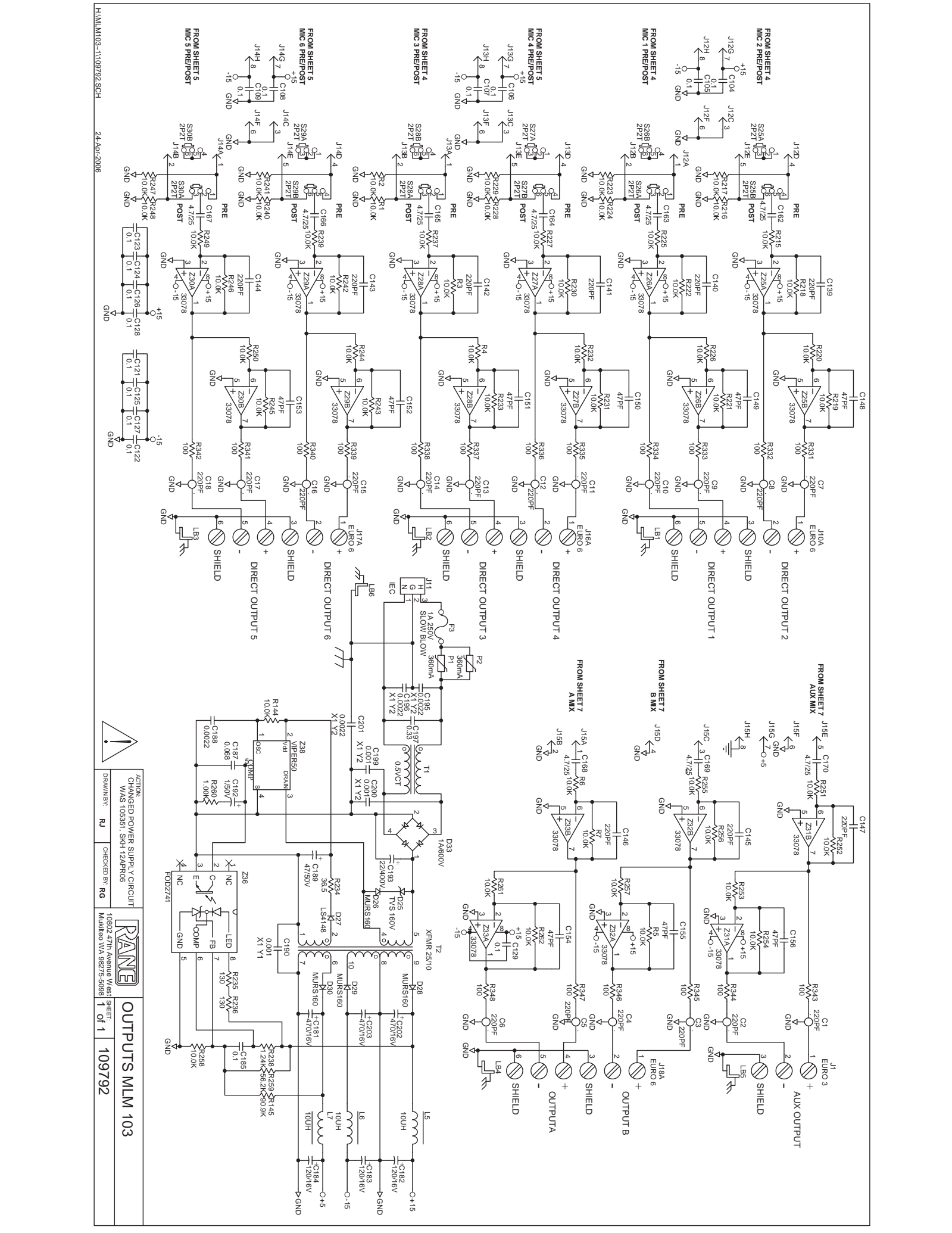
NOTES:
TRIM LEADS LONGER THAN 0.15 LONG
MASK LB6





114953 FILM 1 OF 5 TOP SILKSCREEN MLM103 TONE





HMLM.103-1109792.SCH 24-Apr-2006

ACTION:		CHANGED POWER SUPPLY CIRCUIT	
DRAWN BY:		RU	
CHECKED BY:		RG	
DATE:		10/02/27th Avenue West	
SHEET:		1 of 1	
PROJECT:		Mukhleo WA 98275-5098	
DRAWING NO.:		109792	

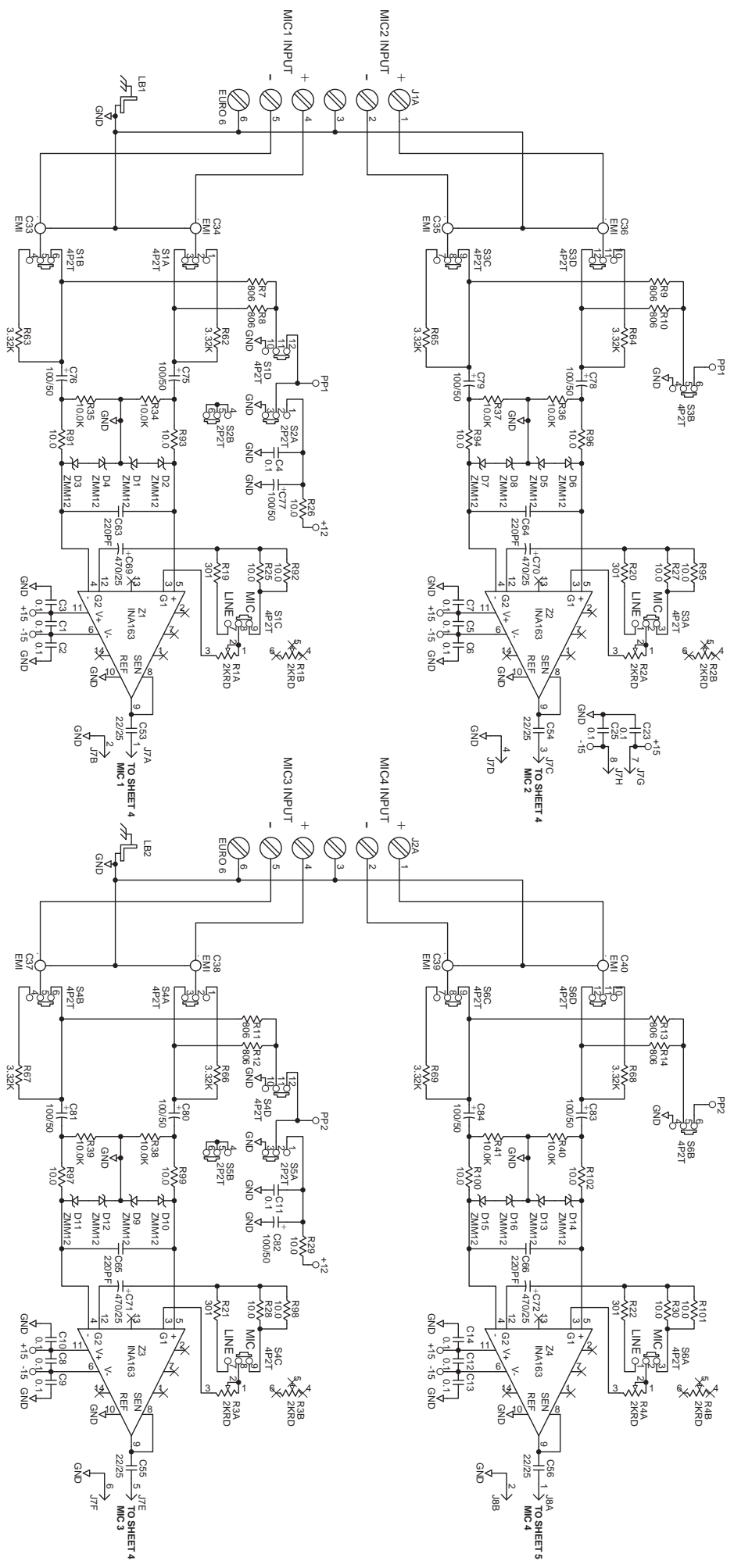
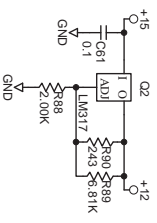
109792

OUTPUTS MLM 103

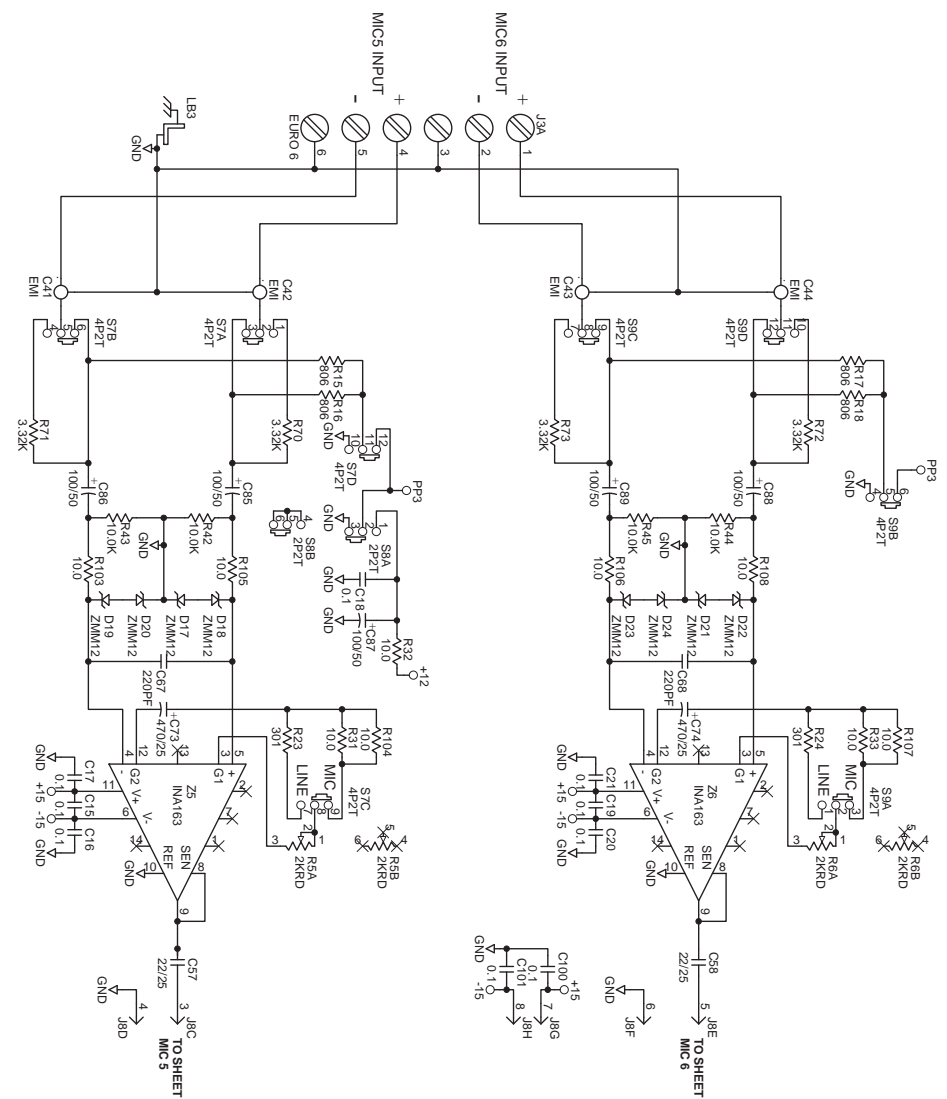
INPUT 2
109793-2.SCH

MIC INPUT Z = 745 OHMS
LINE INPUT Z = 4K OHMS
LINE PAD = 14.7 DB

MIC G RANGE = 12 DB -> 60 DB
LINE G RANGE = 8 DB -> 26 DB
NET LINE G RANGE = -6 DB -> 12 DB

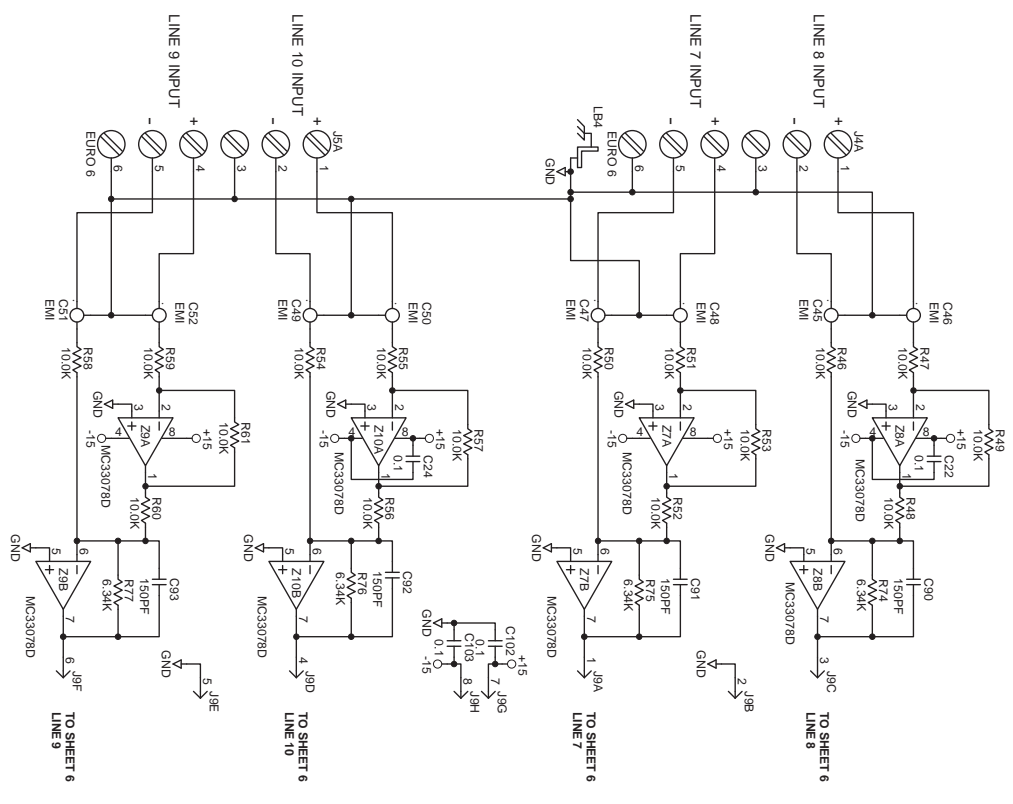


ACTION: NO CHANGE TO THIS SHEET WAS DOC# 106542, SKH 02AULG01	DRAWN BY: RU	CHECKED BY: RG	10802 47th Avenue West MIRAMISO VIA 582-5-5080	PANE	SHEET INPUT 1 MLM 103
					1 OF 2
					109793

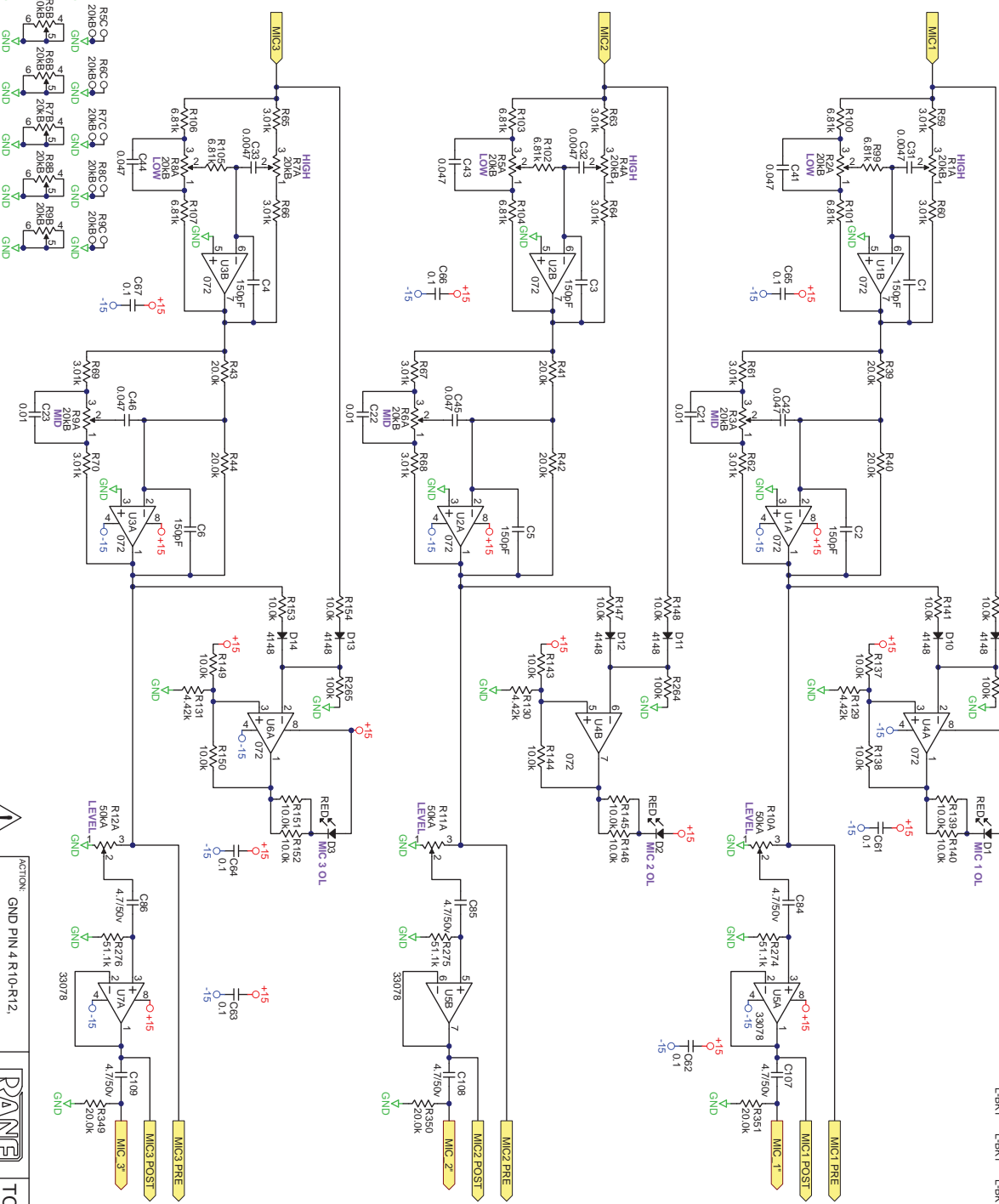
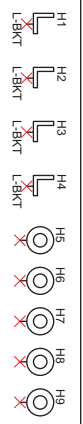


MIC INPUT Z = 745 OHMS
 LINE INPUT Z = 4K OHMS
 LINE PAD = 14.7 DB

MIC g RANGE = 15.5 DB -> 60 DB
 LINE g RANGE = 14 DB -> 26 DB
 NET LINE g RANGE = -7 DB -> 12 DB



ACTION: NO CHANGE TO THIS SHEET. WAS DOCP# 1064542; SKH 03AUG01	DESIGNED BY: RU	10802 47th Avenue West Mukilteo WA 98275-5098	SHEET: 2 of 2	109793
	CHECKED BY: RG			
		INPUT 2 MLM 103		



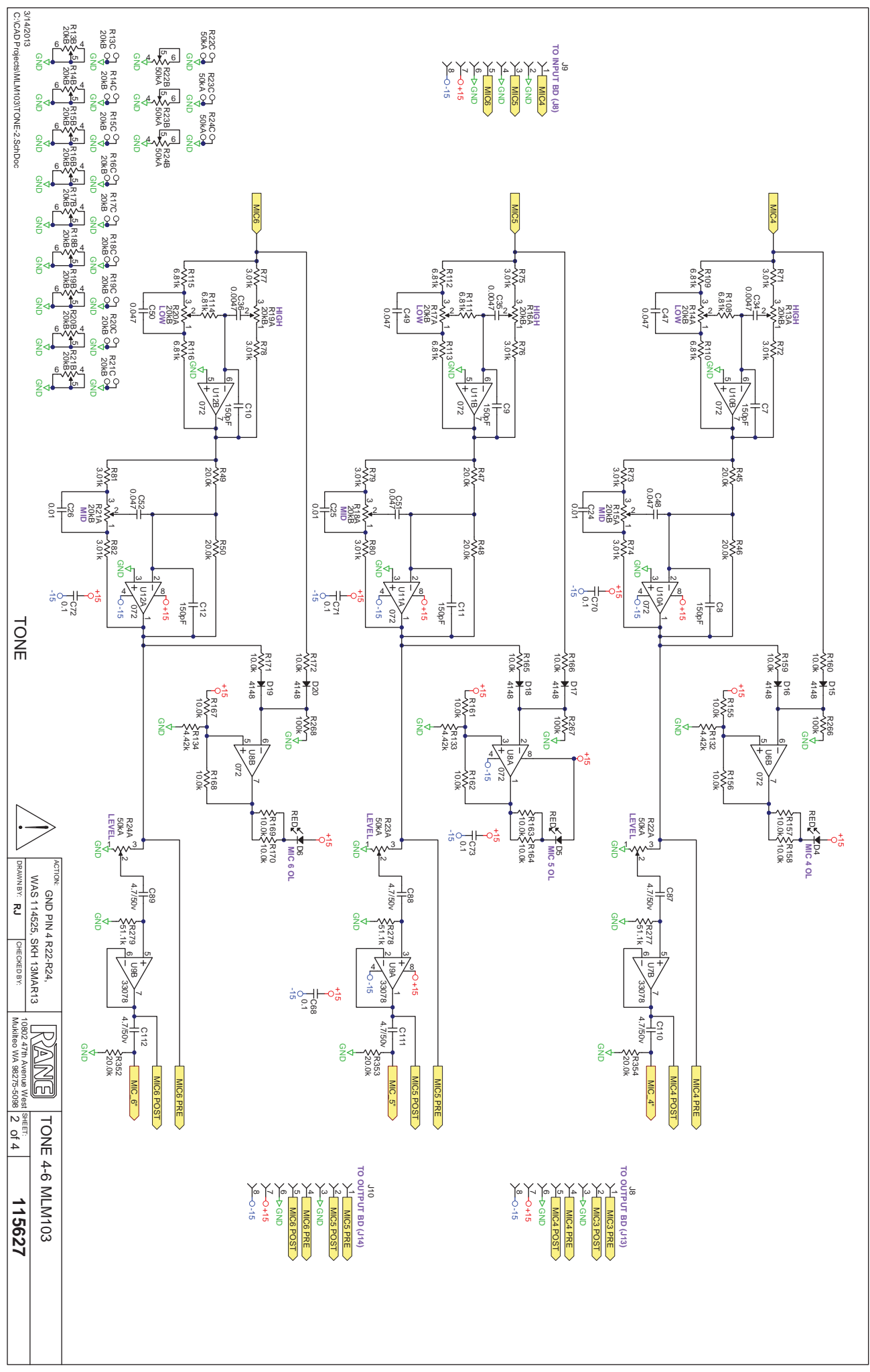
3/14/2013
C:\CAD\Projects\MLM13\TONE-1.SchDoc

TONE



ACTION:	GND PIN 4 R10-R12.
DESIGN BY:	RU
CHECKED BY:	
WAS:	114525, SKH, 13MAR13
DATE:	10902 47th Avenue West
SHEET:	1 of 4
PROJECT:	115627

TONE 1-3 MLM103



J9
TO INPUT BD (J9)
 1 MIC4
 2 GND
 3 MIC5
 4 GND
 5 MIC6
 6 GND
 7 O+15
 8 O-15

J10
TO OUTPUT BD (J10)
 1 MIC4 PRE
 2 MIC3 POST
 3 GND
 4 MIC4 POST
 5 MIC4 PRE
 6 GND
 7 O+15
 8 O-15

J10
TO OUTPUT BD (J14)
 1 MIC5 PRE
 2 MIC5 POST
 3 GND
 4 MIC6 PRE
 5 MIC6 POST
 6 GND
 7 O+15
 8 O-15

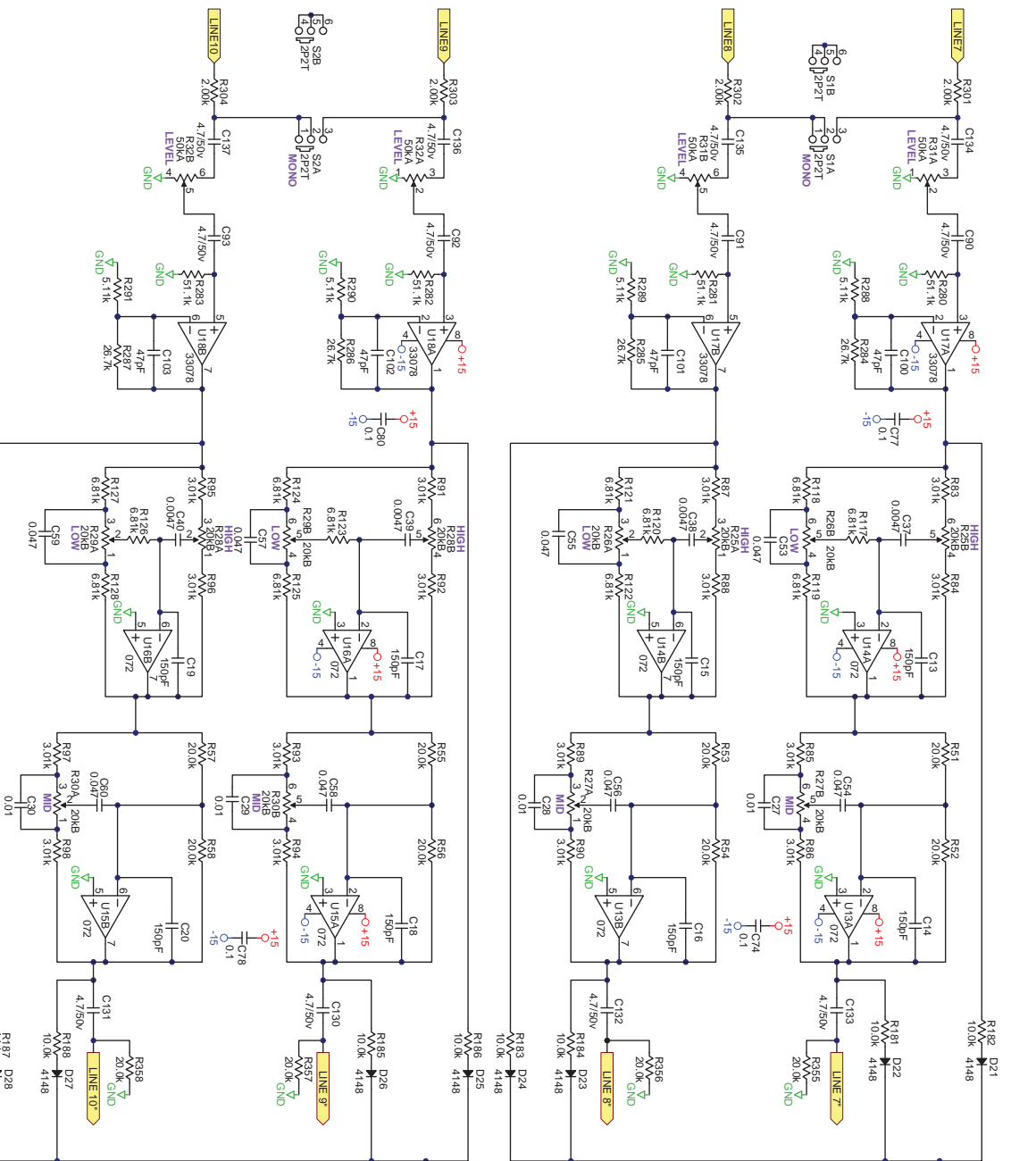
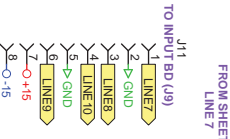
31/4/2013
 C:\CAD\Projects\MLM13\TONE-2.SchDoc

TONE

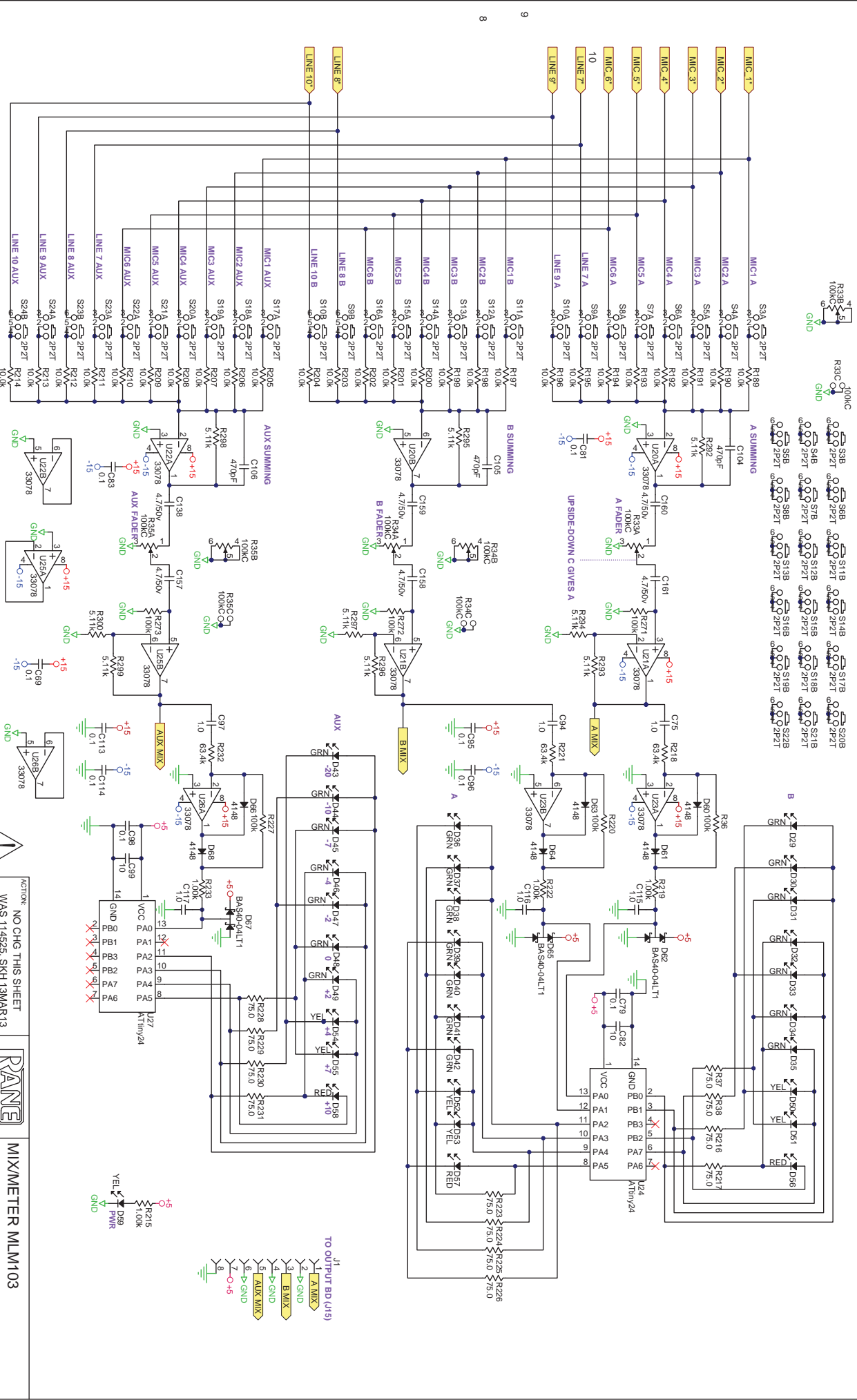


ACTION: GND PIN 4 R22-R24.
 DRAWN BY: RU
 CHECKED BY:
 10902 47th Avenue West
 Multiho WA 98275-5098

TONE 4-6 MLM103
 SHEET 2 of 4
 115627



ACTION:	ADDED GND TO
DRAWN BY:	R31 & R32 PIN 4
CHECKED BY:	RU WMS 114525, SKH 13MAR13



TONE



ACTION: NO CHG THIS SHEET
 WAS 114525 SKH 13MAR13
 DRAWN BY: RU
 CHECKED BY:



MIXMETER MLM103
 10802 47th Avenue West
 Mukilteo WA 98275-5098

J1
 TO OUTPUT BR (15)
 1 - A MIX
 2 - GND
 3 - B MIX
 4 - GND
 5 - AUX MIX
 6 - GND
 7 - +5
 8 - GND