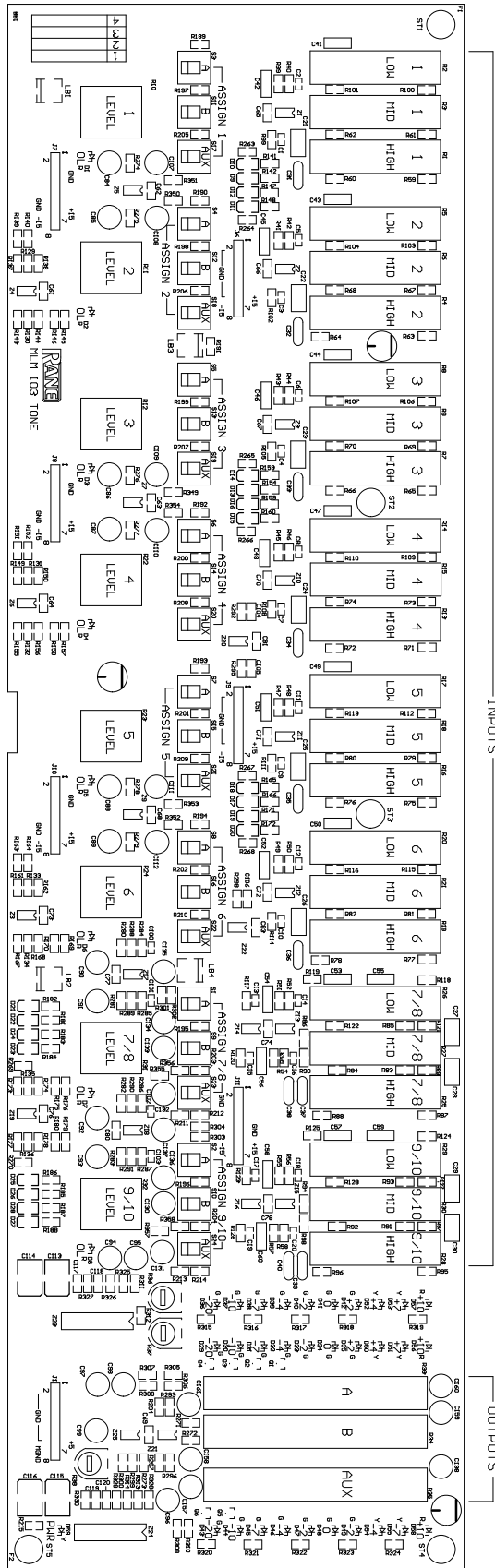
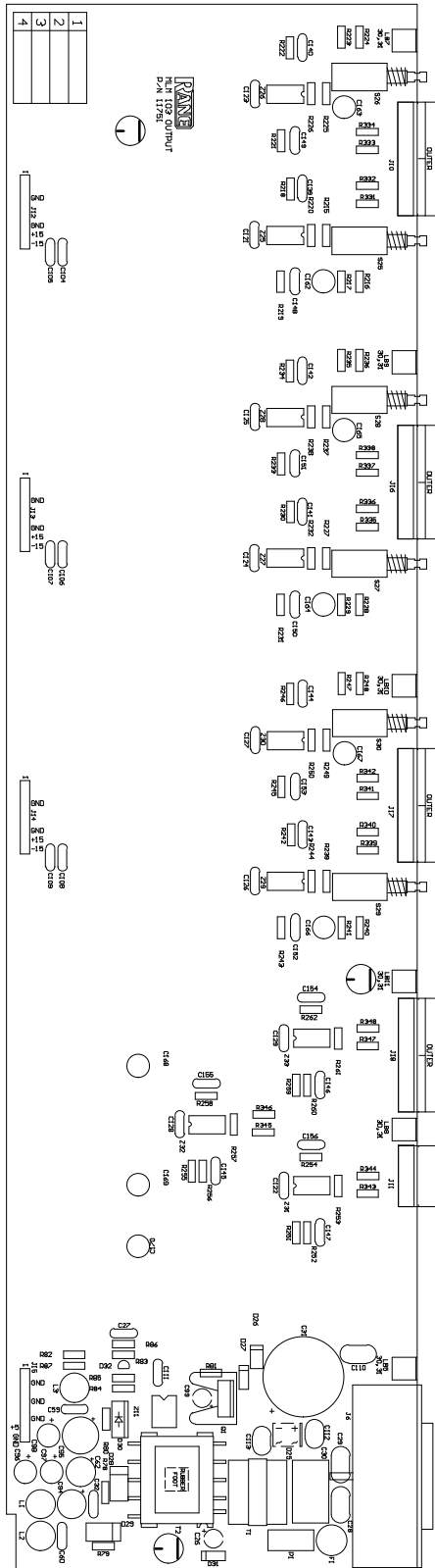


Rane Corp. (425)355-6000
 106322 DES INPUT MLM 103
 ACTION: WAS DOC 105264, CHG R1-R6 FROM 16MM TO
 14MM POTS, MOVE 12 RES (R7-R18) SKH 16AUG02



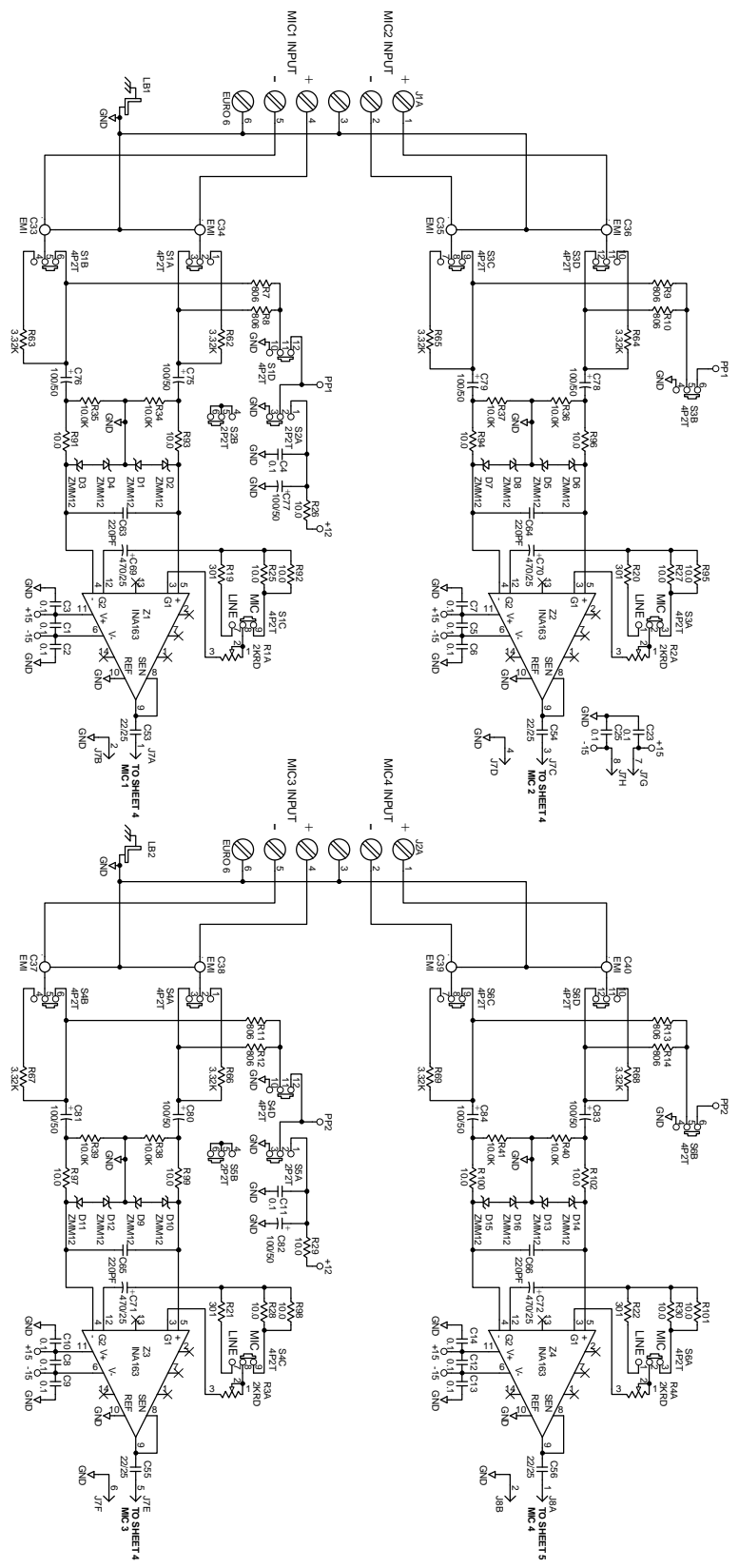
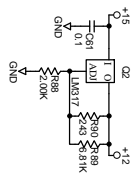
Rane Corp. <425>355-6000
 105265 DES: TONE MLM 103
 ACTION: ADDED (2) L-BRACKETS, SOME PARTS MOVED,
 WAS 103908 SKH 06JUL01



INPUT 2
1053512 SCH

MIC INPUT Z = 745 OHMS
LINE INPUT Z = 4K OHMS
LINE PAD = 14.7 DB

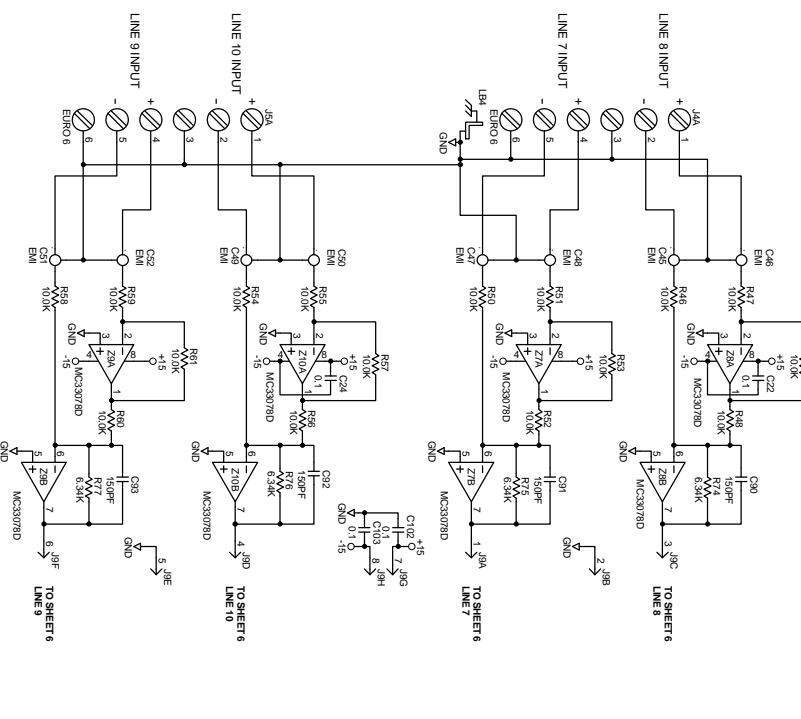
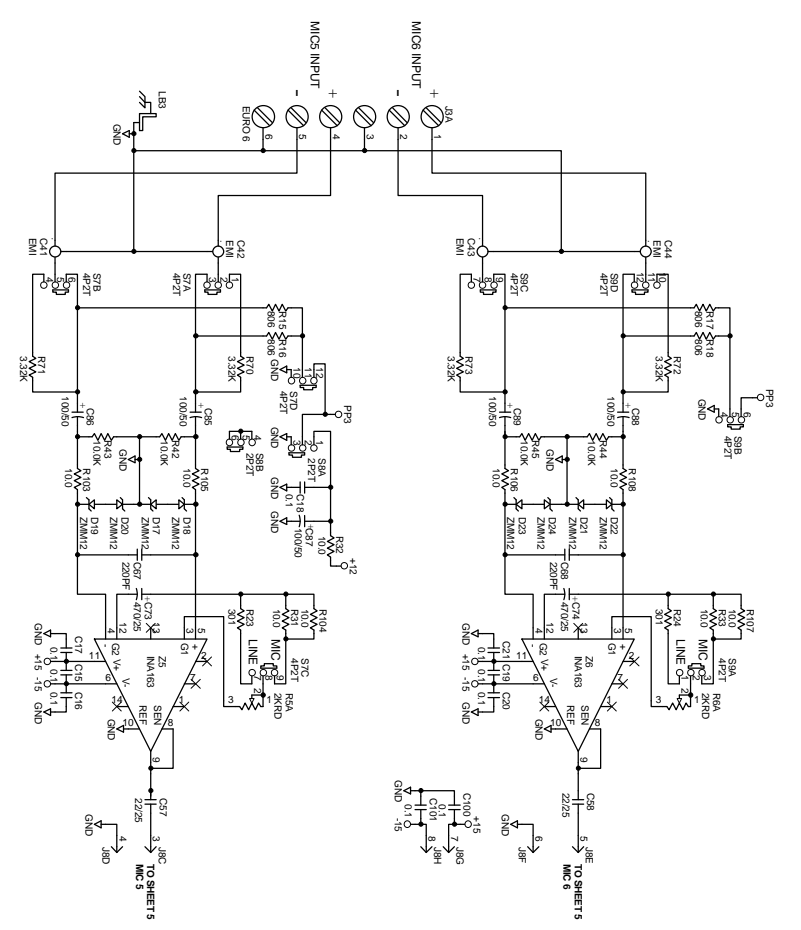
MIC G RANGE = -12 DB -> 80 DB
LINE G RANGE = 8 DB -> 26 DB
NET LINE G RANGE = -6 DB -> 12 DB



<p>ACTORK NO CHANGE TO THIS SHEET. WAS DOCP105642, SKH10AUG01</p>	<p>DESIGN BY: RU</p>	<p>CHECKED BY: RG</p>	<p>10802 27th Avenue West Northridge WA 98179-3038</p>	<p>PARANE</p>	<p>SHEET 1 OF 8</p>	<p>INPUT 1 MLM 103</p>	<p>105351</p>
---	----------------------	-----------------------	--	----------------------	---------------------	------------------------	---------------

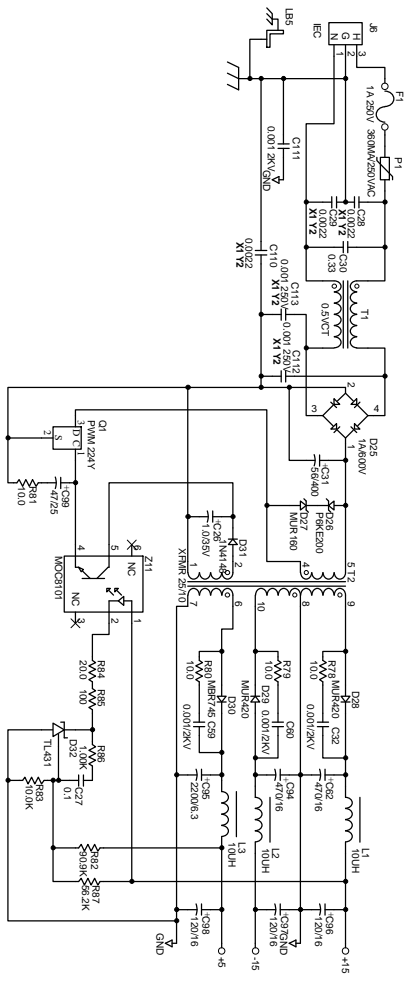
MIC INPUT Z = 745 OHMS
 LINE INPUT Z = 4K OHMS
 LINE PAD = 14.7 DB

MIC G RANGE = 15.5 DB -> 80 DB
 LINE G RANGE = 14 DB -> 28 DB
 NET LINE G RANGE = -.7 DB -> 12 DB



ACTION:	NO CHANGE TO THIS SHEET.
	WAS DDC# 105642, SK#H03A0001
DRAWN BY:	RU
CHECKED BY:	RG
	10892 27th Avenue West
	IRVING, WA 98273-3388
SHEET	INPUT 2 MLM 103
Z OF 8	105351

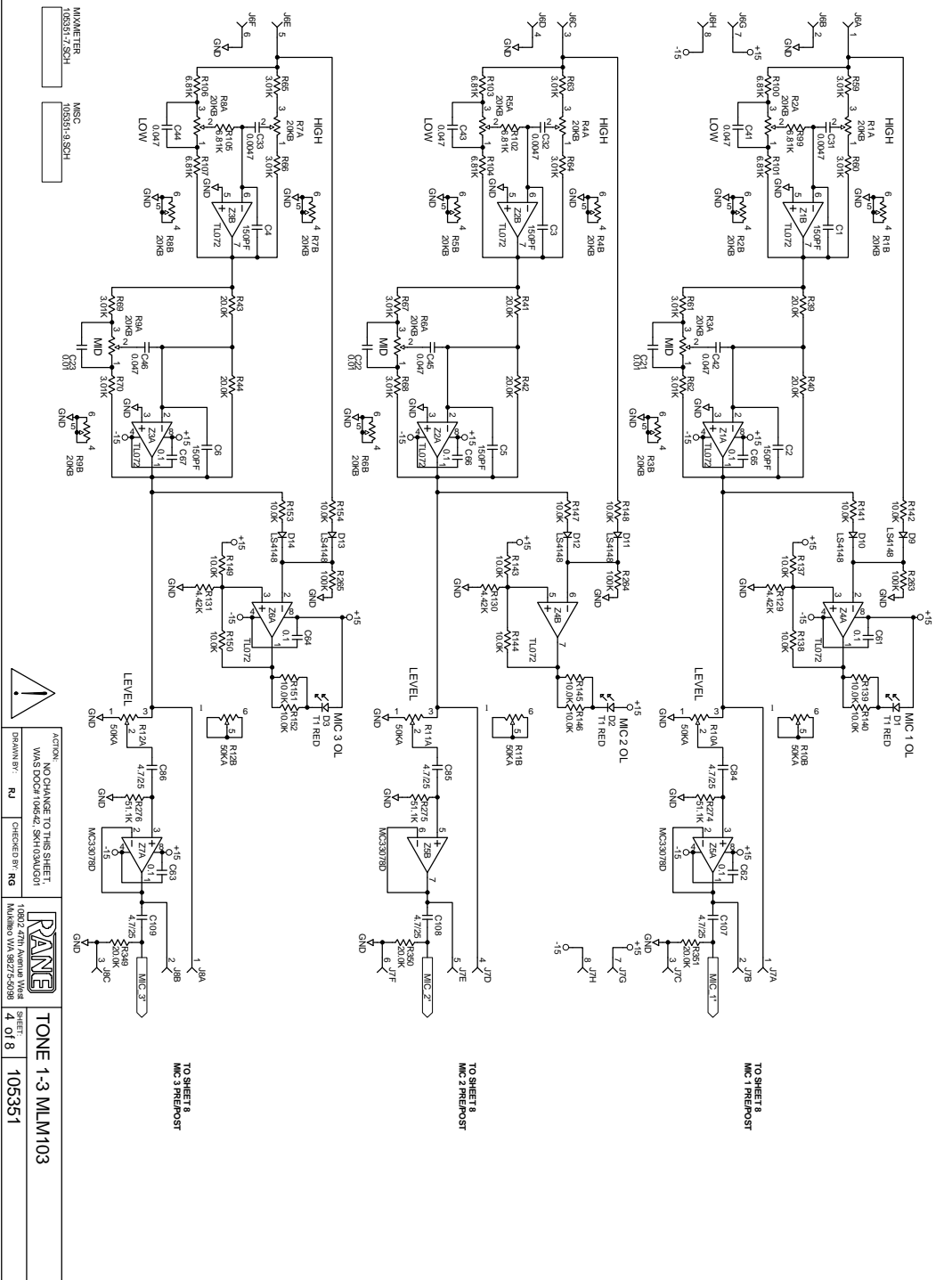
OUTPUTS
105351.SCH



H:\M\103-11053513.SCH 6-Aug-2001



ACTION	(2) MURRAY WERE MBR3100
DRAWN BY	WAS DOOF 104542 SH4 02AUG01
CHECKED BY	RG
10802 27th Avenue West Richmond VA 23273-2038	
SHEET	PWR SUP MLM 103
3 of 8	105351



ACT/CK: NO CHANGE TO THIS SHEET.
 WWS DDC/F 105542, SK/H 03AUG01

DESIGN BY: RU
 CHECKED BY: RG

10802 27th Avenue West
 Hawthorn WA 6107
 PHONE: 9427 2508

PANE

SHEET 4 OF 8

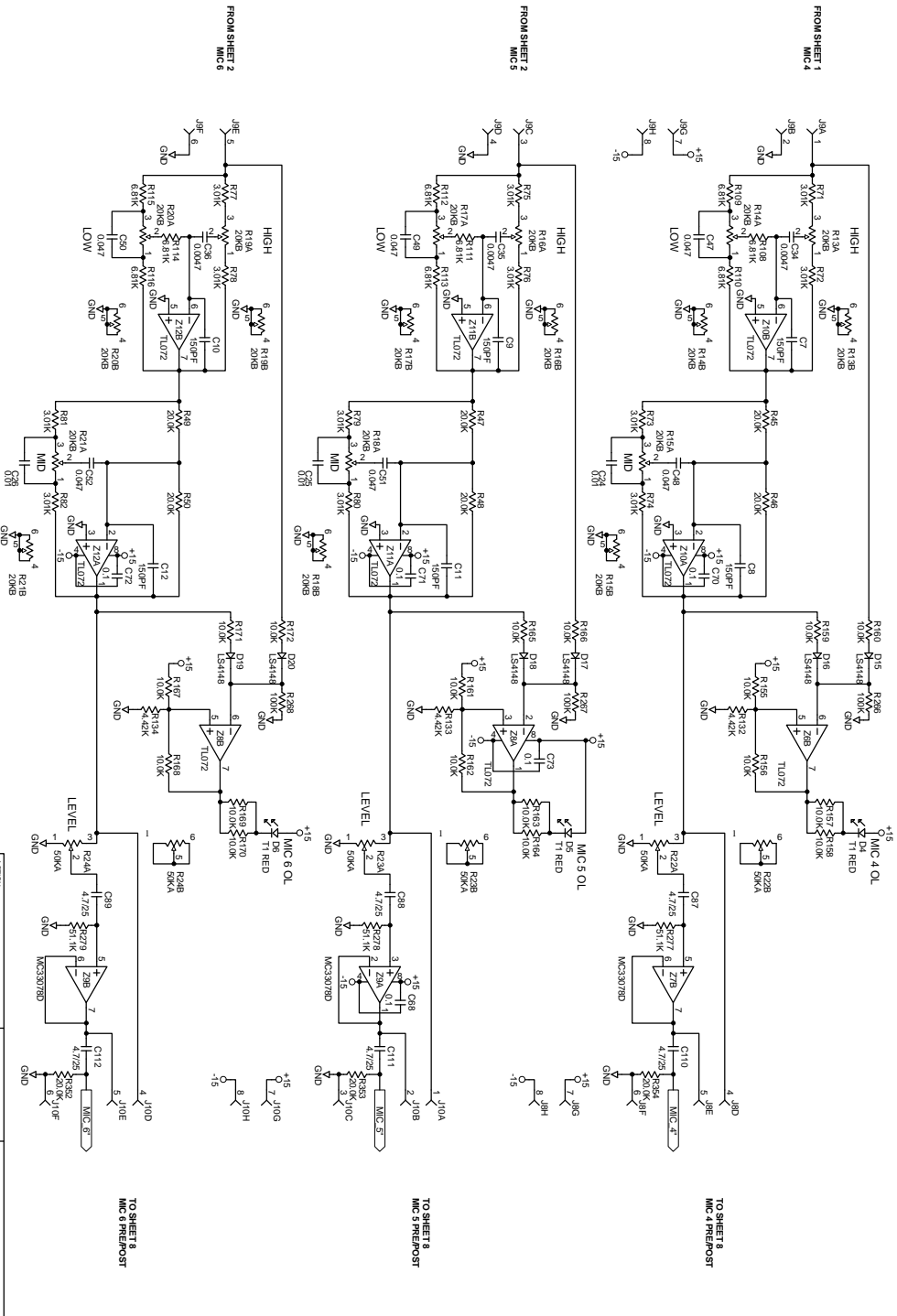
105351

TONE 1-3 MLM103
 MIC 3 PREFOST

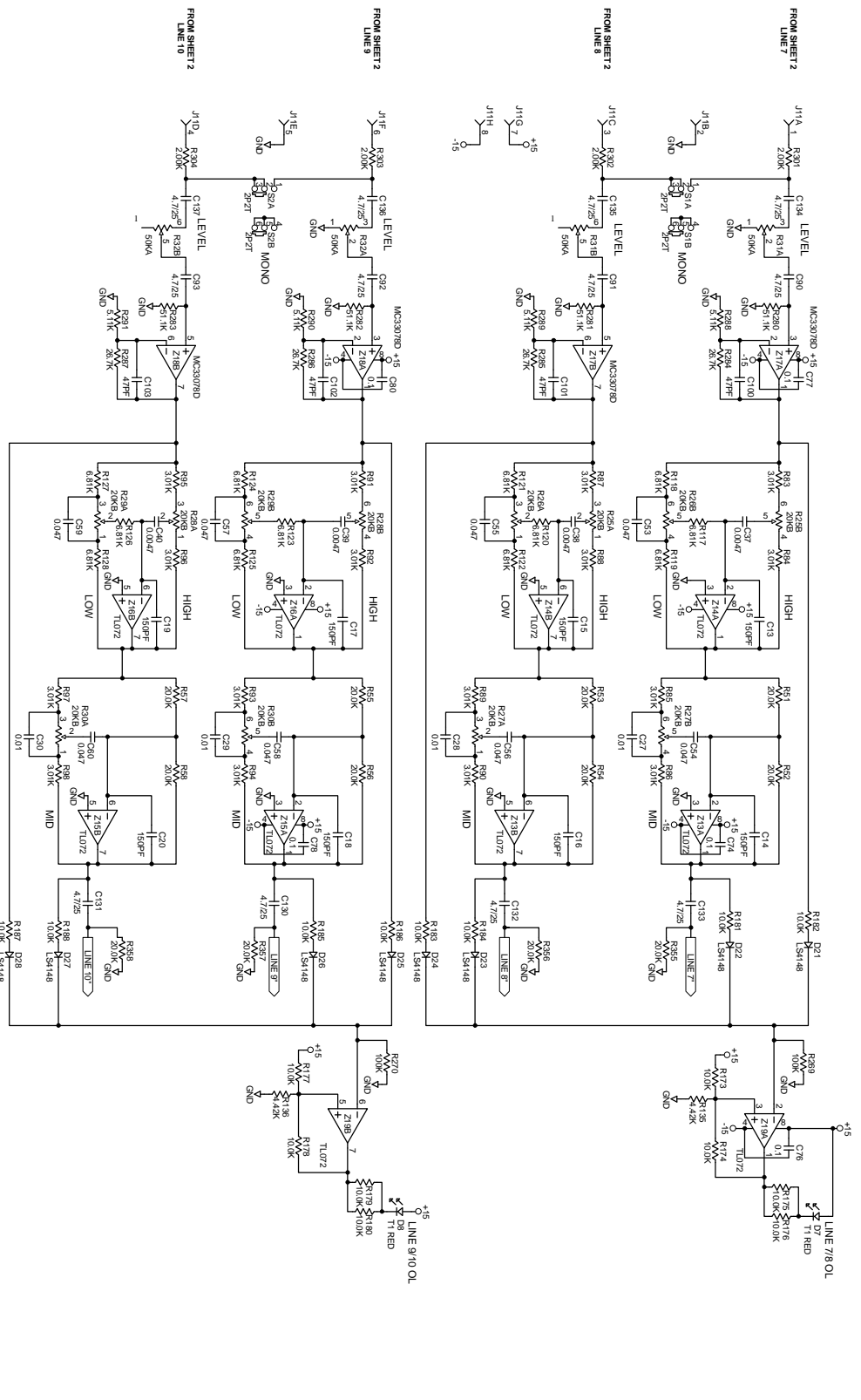
TO SHEET 8
 MIC 3 PREFOST

TO SHEET 8
 MIC 2 PREFOST

TO SHEET 8
 MIC 1 PREFOST



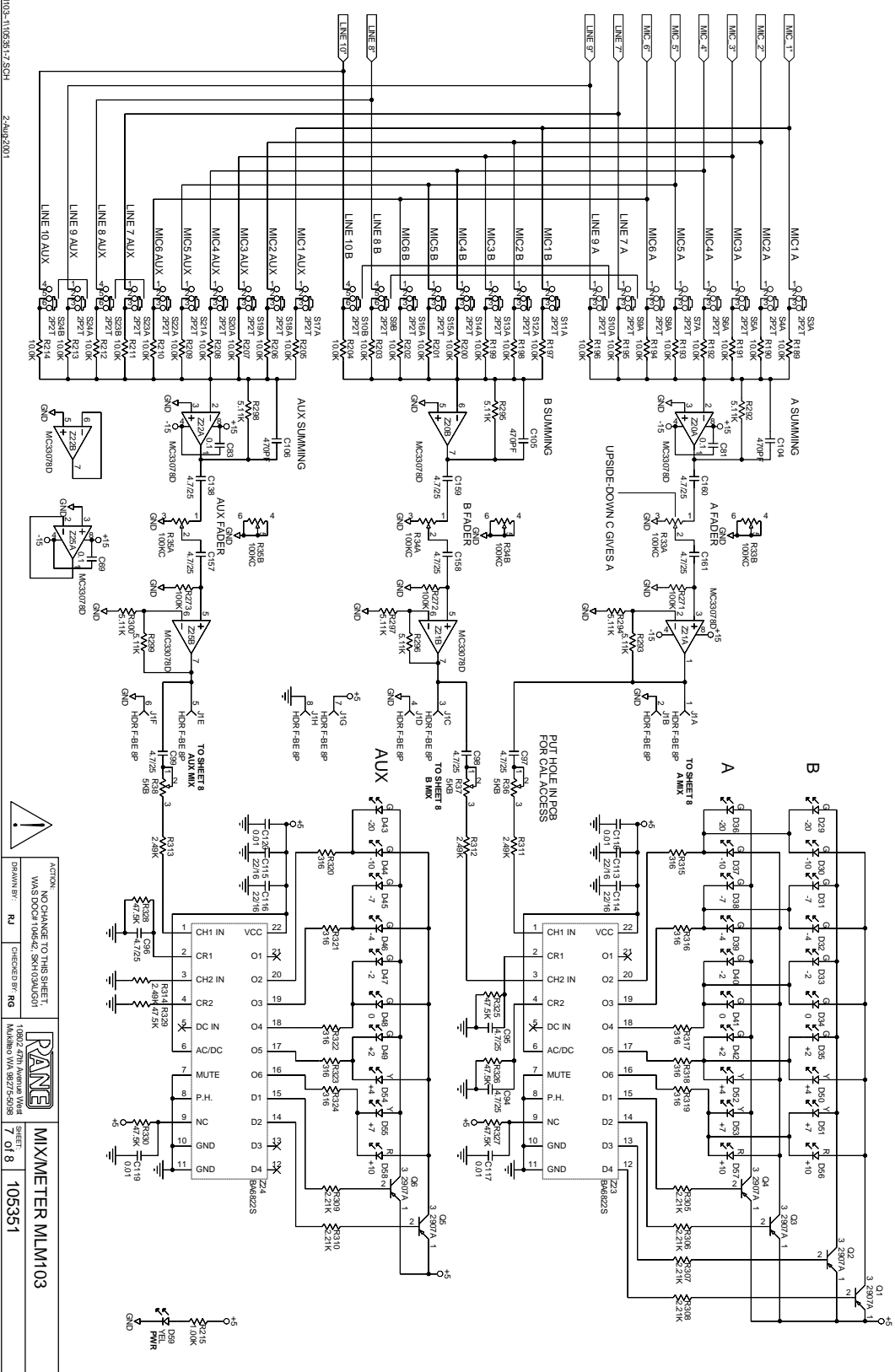
ACTION: NO CHANGE TO THIS SHEET.
 WWS DOCP# 105542, SK#H03A0001
 DRAWN BY: RU
 CHECKED BY: RG
 10802 27th Avenue West
 Tukwila WA 98178-3208
RANE
 SHEET 5 OF 8
TO SHEET 8 MIC 4 PREPOST
TO SHEET 8 MIC 5 PREPOST
TO SHEET 8 MIC 6 PREPOST
105351



ACTION: NO CHANGE TO THIS SHEET.
 WMS DDC# 105542, SK#10AUG001
 DRAWN BY: RU CHECKED BY: RG



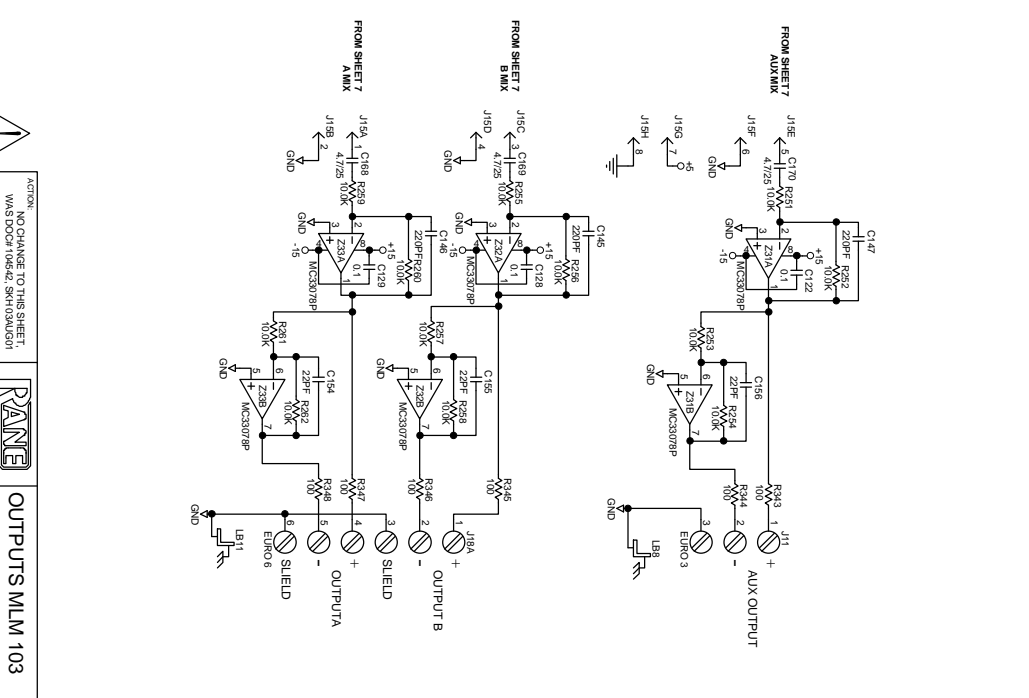
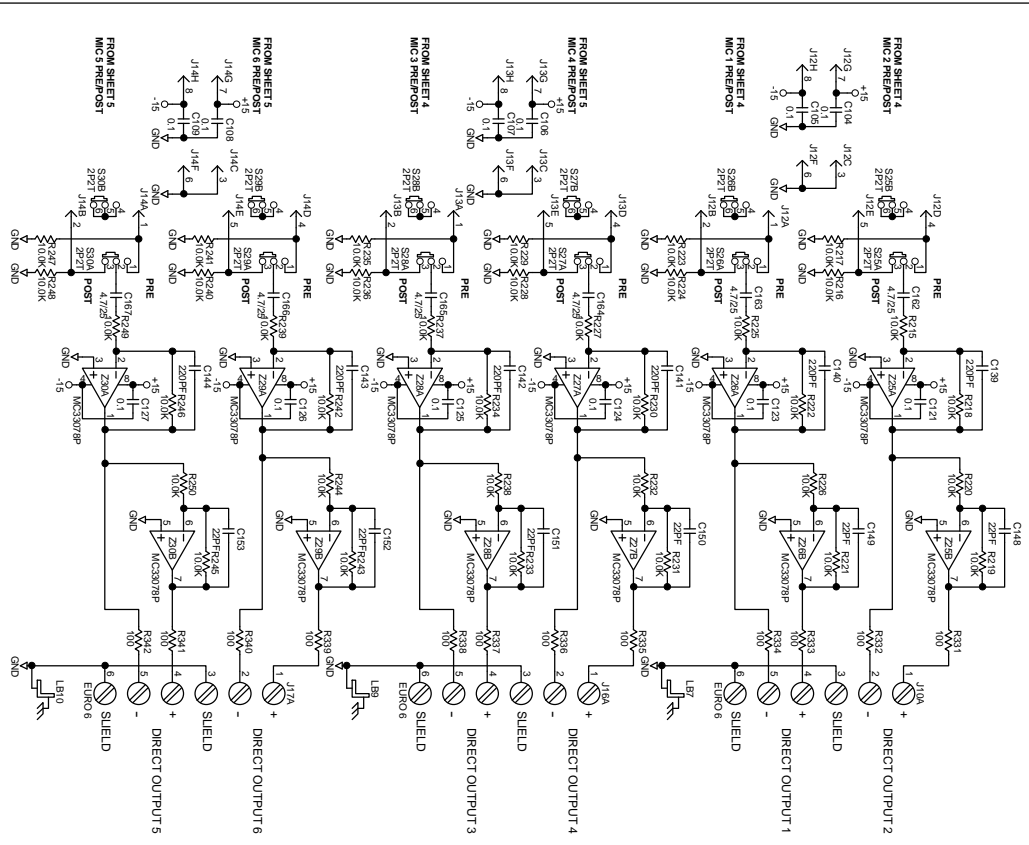
10802 27th Avenue West
 Hawthorn WA 61073-2038
 SHEET: 6 OF 8
 TONE 7-10 MLM 103
 105351



ACTOR: NO CHANGE TO THIS SHEET.
 WMS DDC# 105642, SK#H03A0001
 DRAWN BY: RU
 CHECKED BY: RG

RANE
 10802 27th Avenue West
 Hawthorne WA 98227-3538

MIXMETER MLM103
 SHEET 7 OF 8
 105351



ACTION: NO CHANGE TO THIS SHEET.
 WMS DDC# 105542, SK#H03A0001
 DRAWN BY: RU
 CHECKED BY: RG
RANE
 10802 27th Avenue West
 Hawthorn WA 6107
 SHEET 8 OF 8
OUTPUTS MLM 103
 105351