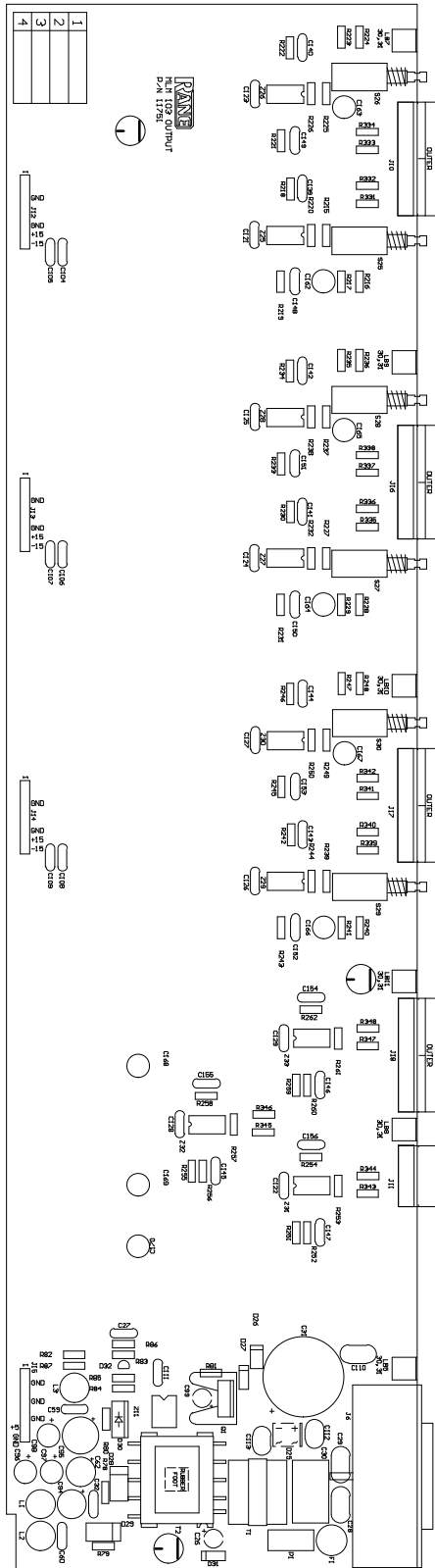


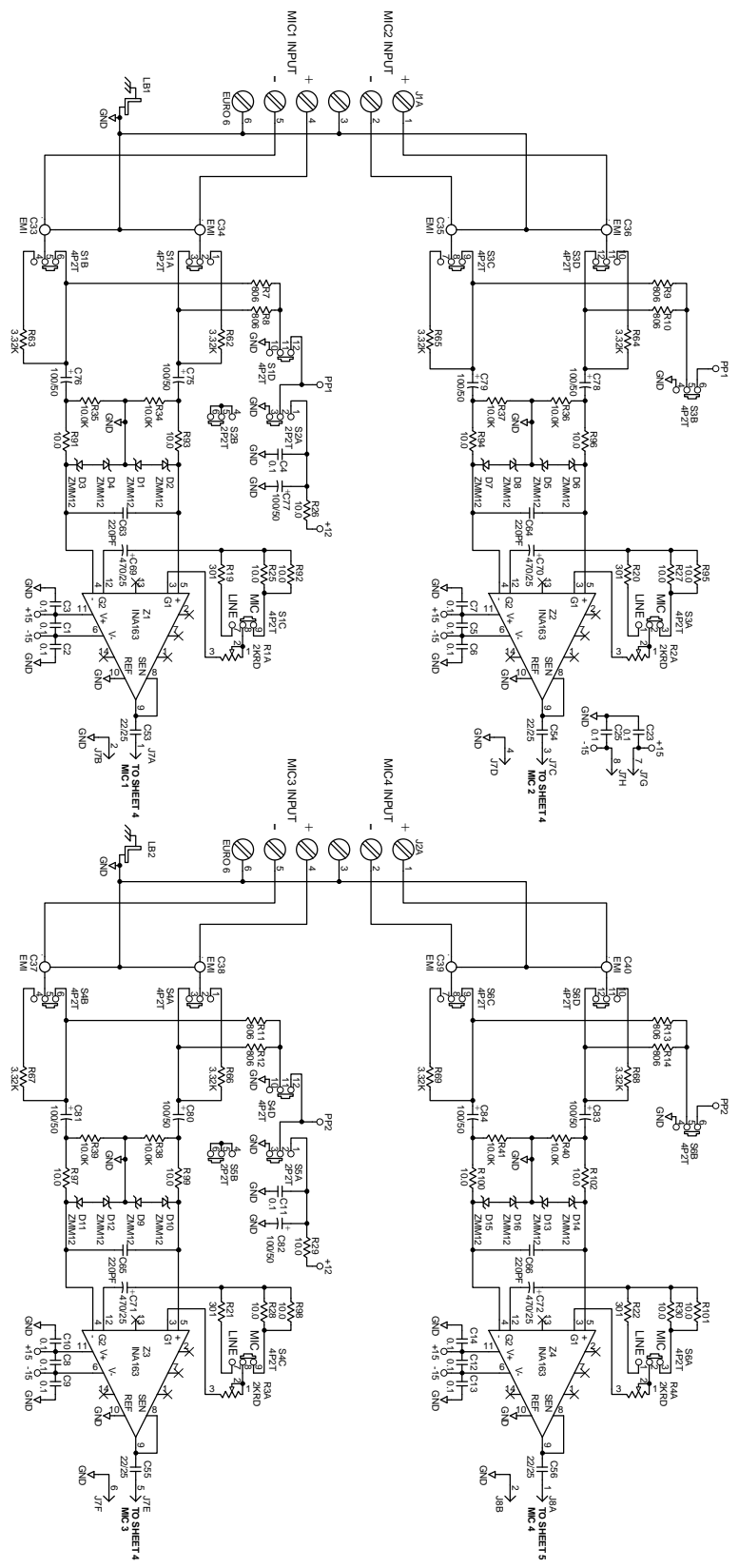
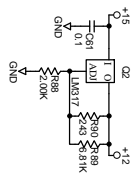
Rane Corp. (425)355-6000
 103908 DES: TONE MLM 103
 ACTION: NEW PRODUCT RAJ 10FEB00



INPUT 2
1053512 SCH

MIC INPUT Z = 745 OHMS
LINE INPUT Z = 4K OHMS
LINE PAD = 14.7 DB

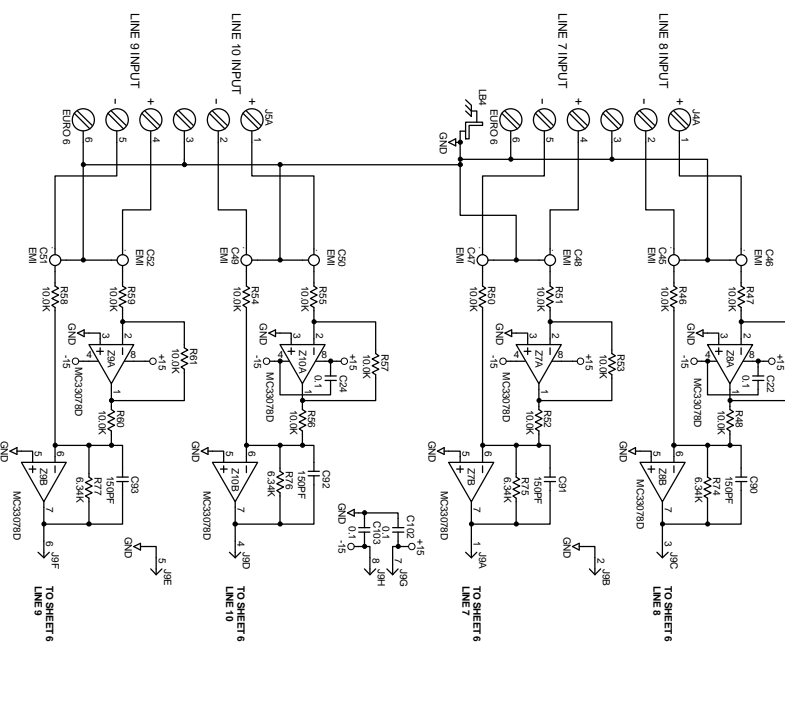
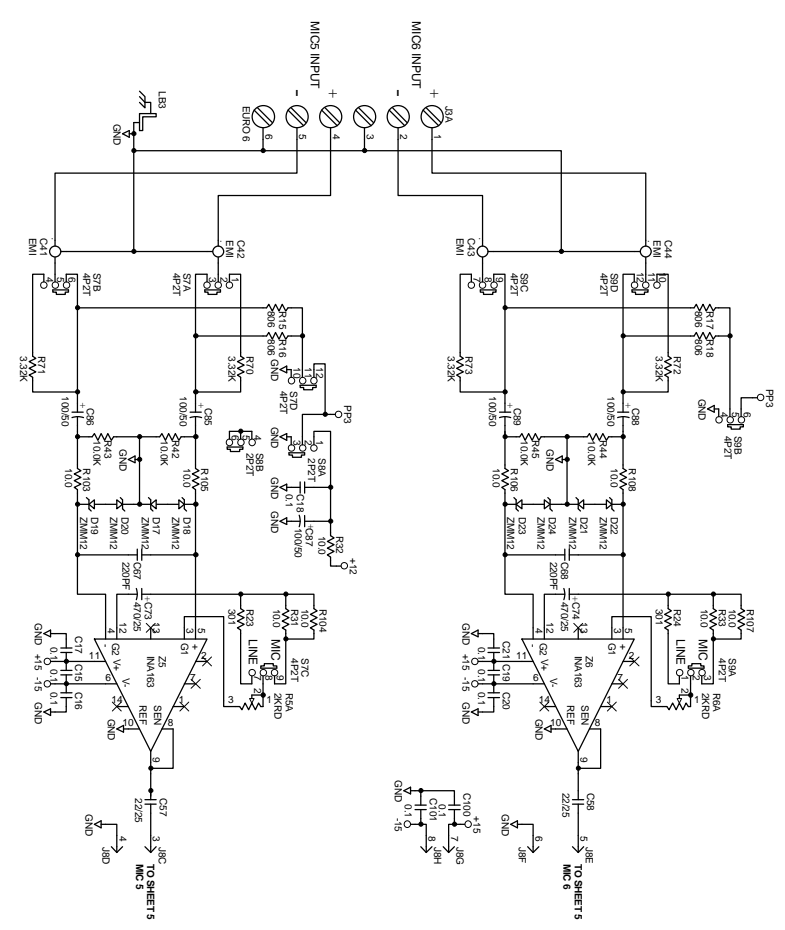
MIC G RANGE = -12 DB -> 80 DB
LINE G RANGE = 8 DB -> 26 DB
NET LINE G RANGE = -6 DB -> 12 DB



ACTORK	NO CHANGE TO THIS SHEET.	1053512 SCH	1053511 SCH
DRAWN BY	RU	1053512 SCH	1053511 SCH
CHECKED BY	RG	1053512 SCH	1053511 SCH
		INPUT 1 MLM 103	
14082 ZTH Avenue Vias WAs DOOR 10542, SxH 03AUG01 INANBO WA 98273-3038		SHEET 1 1 OF 8 1053511	

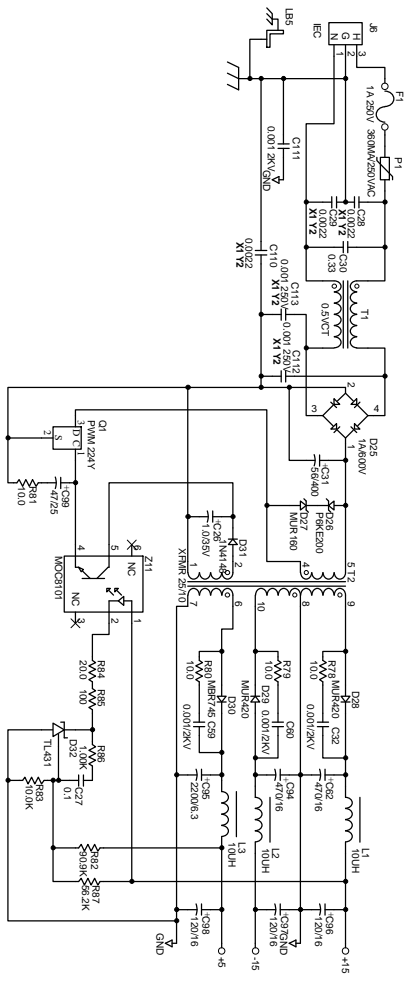
MIC INPUT Z = 745 OHMS
 LINE INPUT Z = 4K OHMS
 LINE PAD = 14.7 DB

MIC G RANGE = 15.5 DB -> 80 DB
 LINE G RANGE = 14 DB -> 28 DB
 NET LINE G RANGE = -.7 DB -> 12 DB



ACTION:	NO CHANGE TO THIS SHEET.
DRAWN BY:	RU
CHECKED BY:	RG
PROJECT:	WAS DDC# 105542, SK#H03A0001
DATE:	10892 27th Avenue West
LOCATION:	MANASSA VA, 98273038
SHEET:	INPUT 2 MLM 103
OF:	2 OF 8
NO:	105351

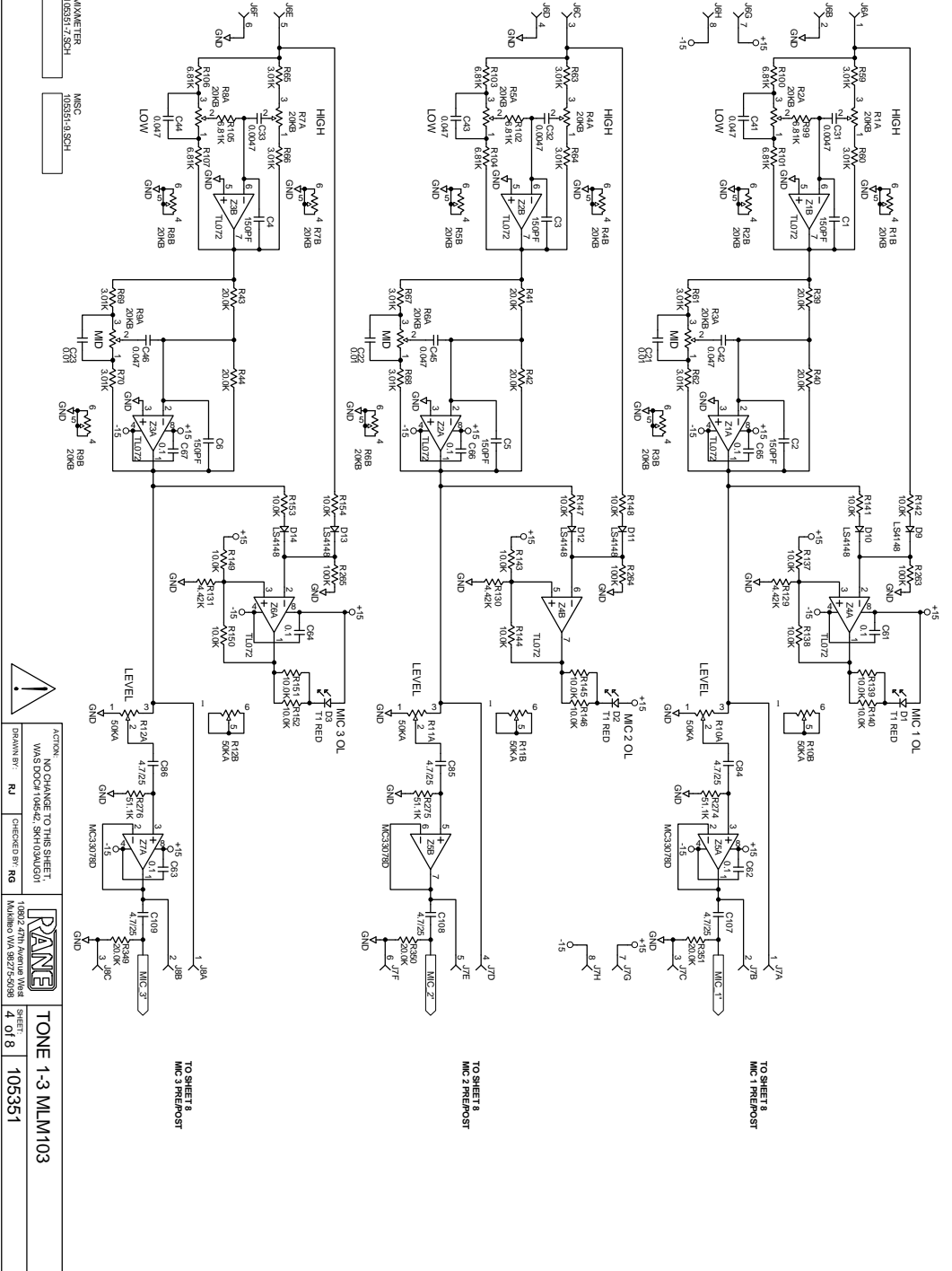
OUTPUTS
105351.SCH



H:\M\103-1105351.SCH 6-Aug-2001



ACTION	(2) MURRÄVERE MBR3100
DRÄMN BY	WAS DOUF 104542 SH4 020AL02H
CHECKED BY	RJ
	RG
	10892 27th Avenue W. Ste 1
	MAPLE WA 98127-3288
	RANE
	PWR SUP MLM 103
	SHEET 3 of 8
	105351



TO SHEET 8
MIC 1 PREPOST

TO SHEET 8
MIC 2 PREPOST

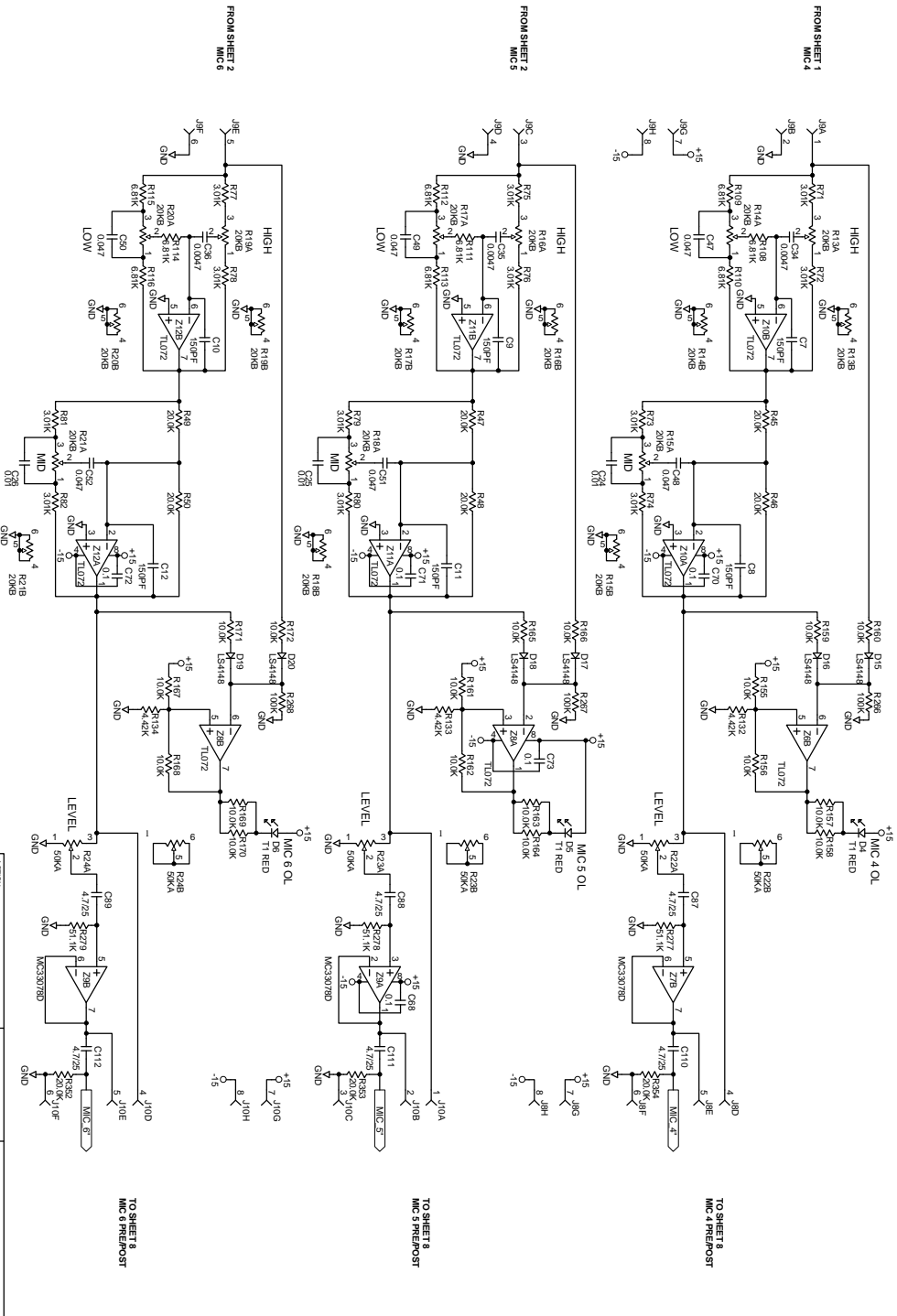
TO SHEET 8
MIC 3 PREPOST

NO CHANGE TO THIS SHEET.
WAS DDC# 105542, SK#H09A0001

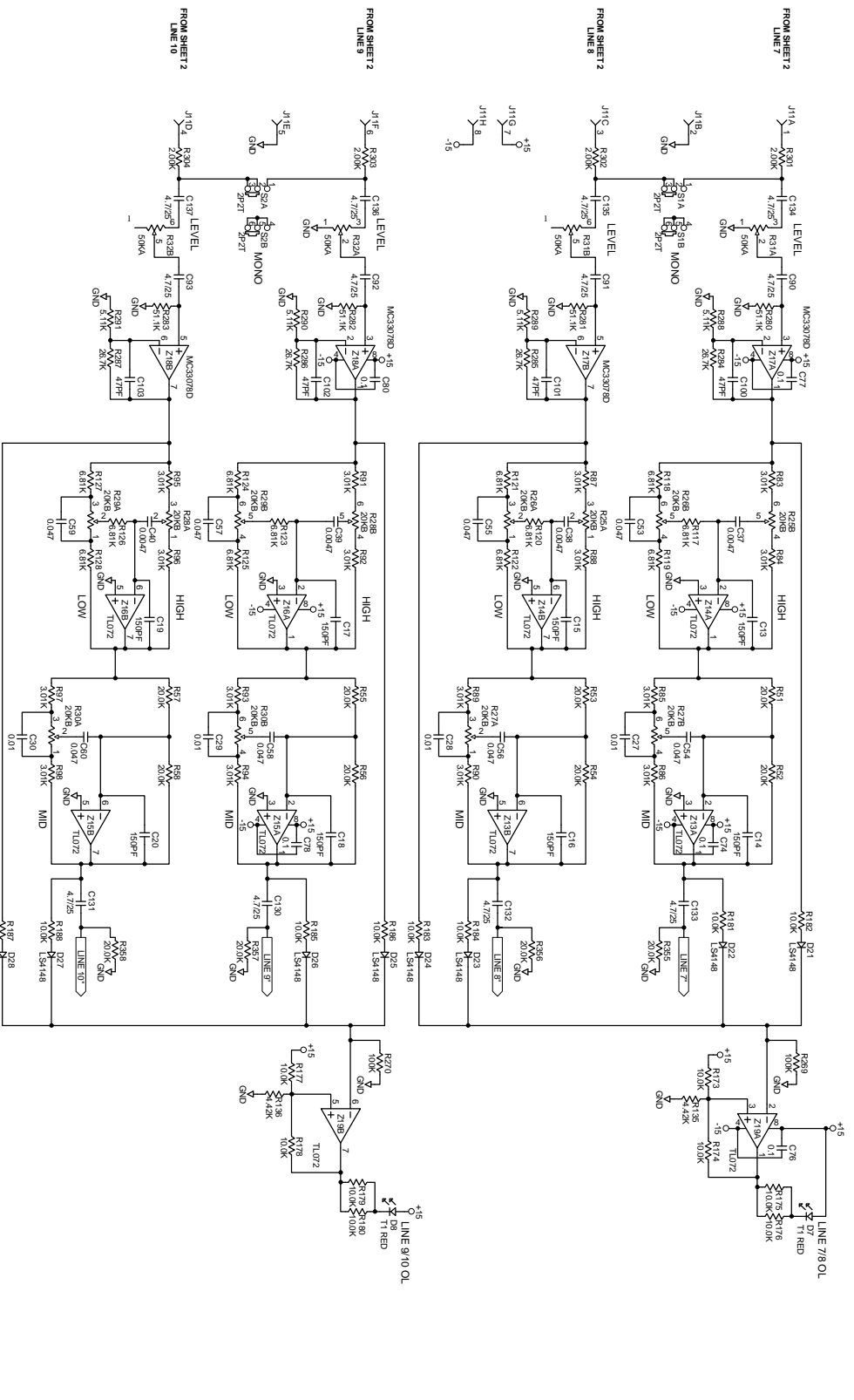
ACT/CHK: RU
DRAWN BY: RU
CHECKED BY: RG

10802 27th Avenue West
Maple Valley, WA 98073-3038

PANE
TONE 1-3 MLM103
SHEET 4 OF 8
105351

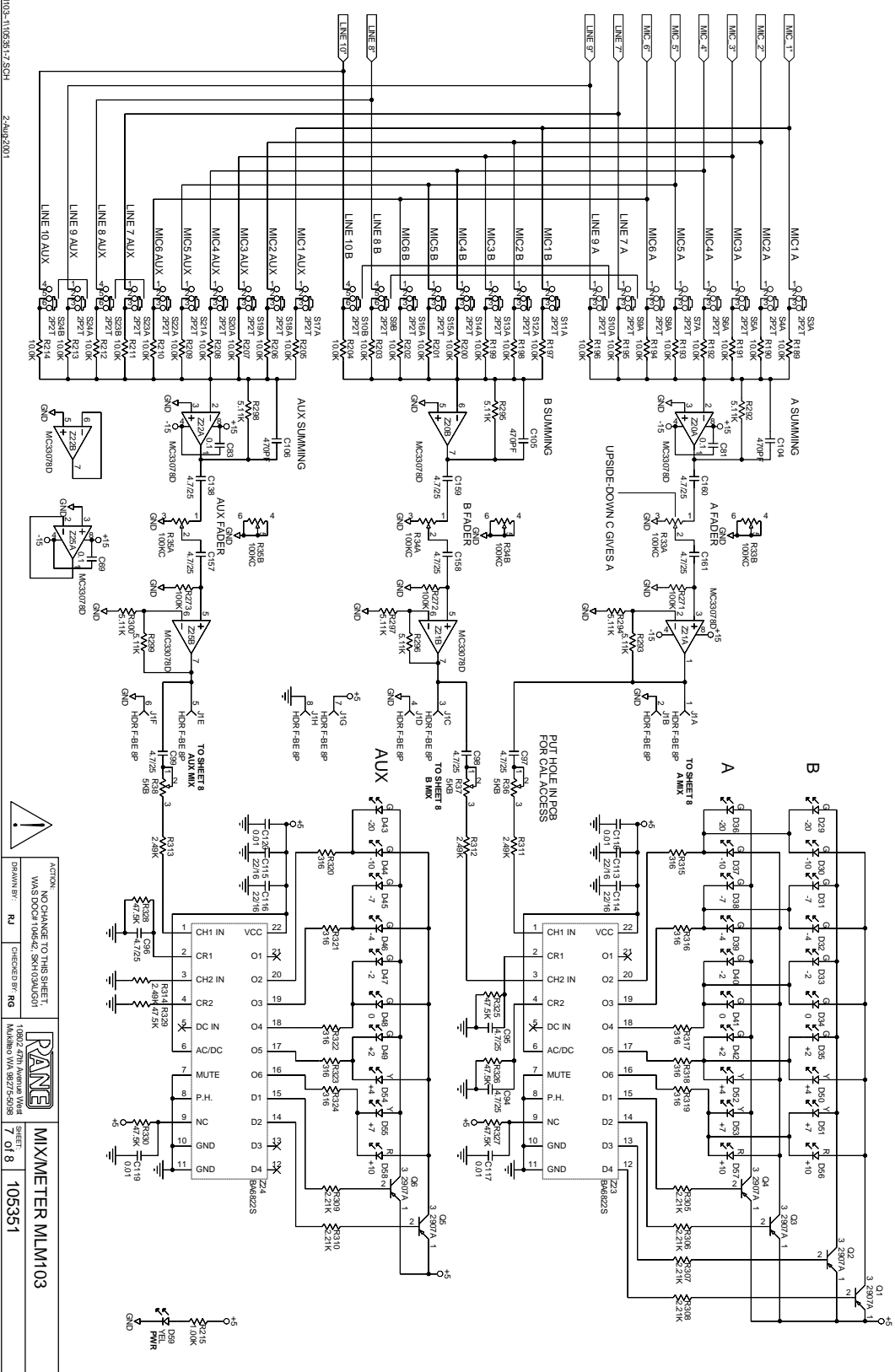


ACTION: NO CHANGE TO THIS SHEET.
 WWS DOCP# 105542, SK#H03A0001
 DRAWN BY: RU
 CHECKED BY: RG
 10802 27th Avenue West
 Tukwila WA 98178-3208
PANE
 SHEET 5 OF 8
TONE 4-6 MLM 103
 105351



ACTION: NO CHANGE TO THIS SHEET.
 WMS DDC# 105542, SK#10AUG001
 DRAWN BY: RU CHECKED BY: RG

RANE
 10802 27th Avenue West
 Hawthorne WA 98027-3038
 SHEET: 6 OF 8
 TONE 7-10 MLM 103
 105351



ACTOR: NO CHANGE TO THIS SHEET.
 WMS DDC# 105642, SK#H03A0001
 DRAWN BY: RU
 CHECKED BY: RG
 10802 27th Avenue West
 VANCOUVER, BC V6V 2E9
 PHONE: 604-273-8888
RANE
 SHEET 7 OF 8
MIXER METER MLM103
 105351

