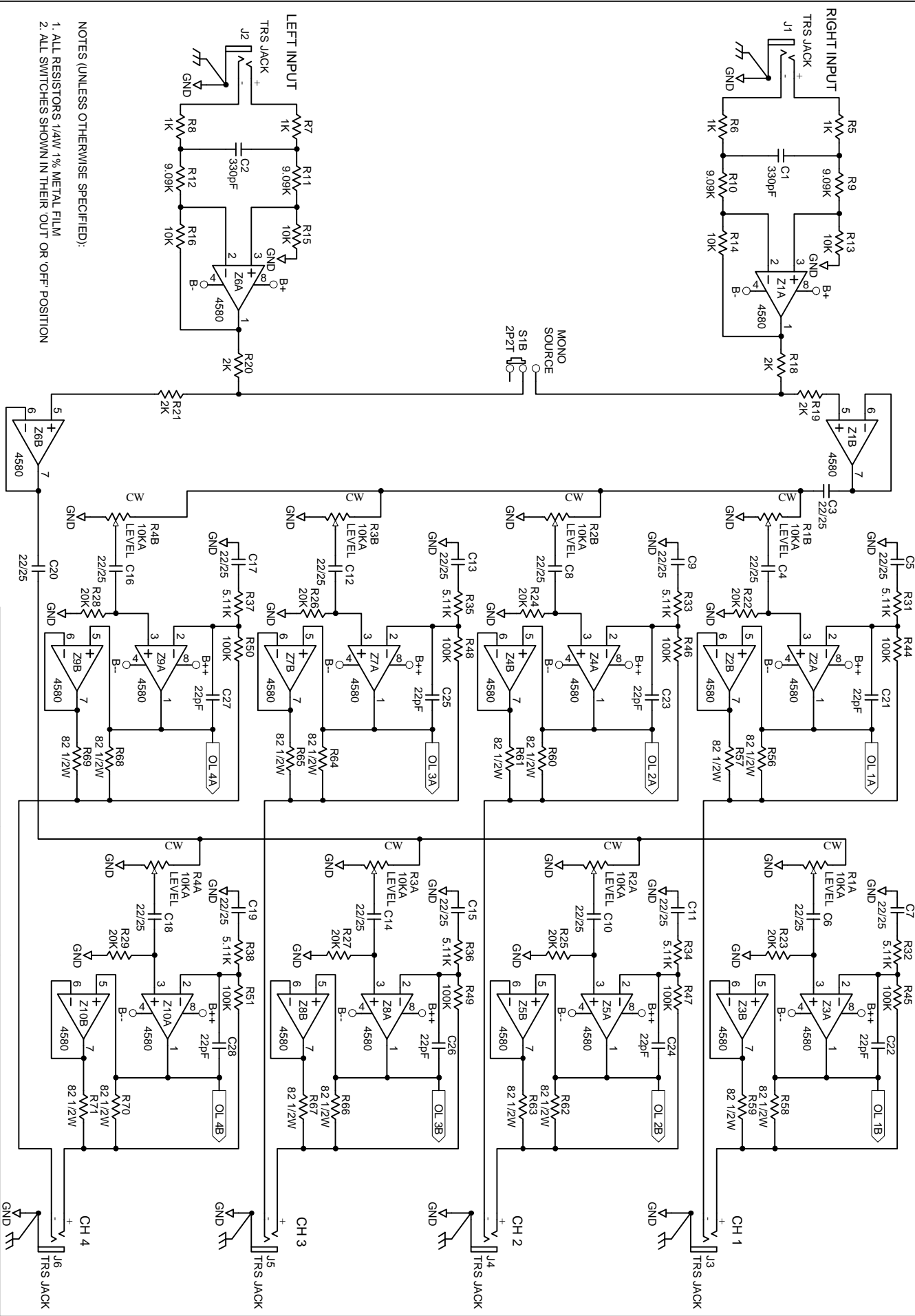


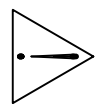
Rane Corp. <425>355-6000  
 100597 DES: MH 4  
 ACTION: NO CHANGE TO PART, NEW DOC# SKH 15DEC97





NOTES (UNLESS OTHERWISE SPECIFIED):  
 1. ALL RESISTORS 1/4W, 1% METAL FILM  
 2. ALL SWITCHES SHOWN IN THEIR 'OUT' OR 'OFF' POSITION

OVERLOAD/POWER SUPPLY  
 H:MH41100460-2.SCH

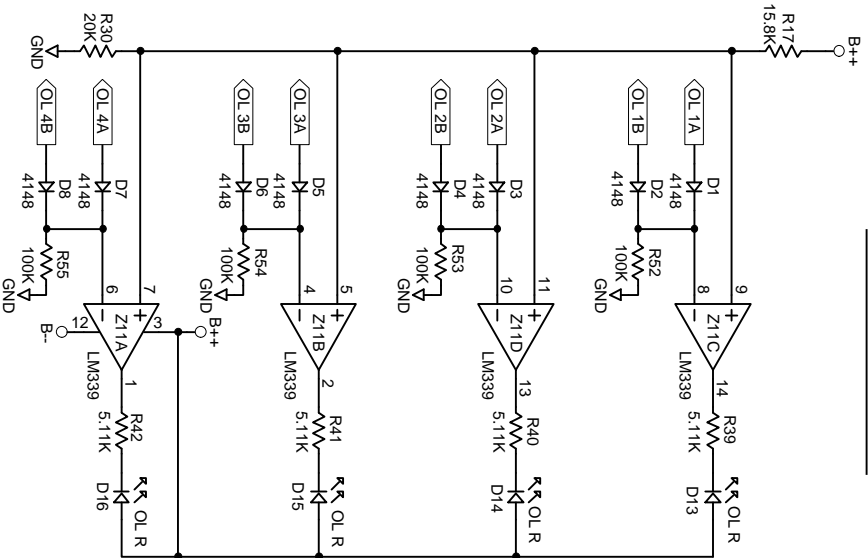


ACTION:  
 DRAWN BY: SKH 11MAR96  
 CHECKED BY: RGH 23MAR96

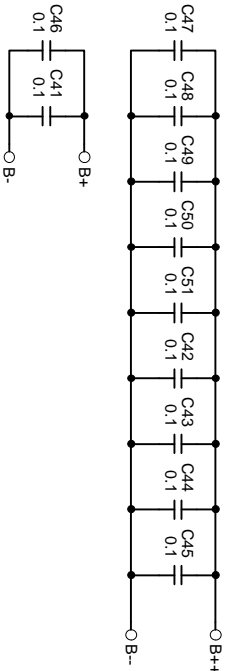


MH 4 INPUTS/OUTPUTS  
 SHEET: 1 OF 2  
 100460

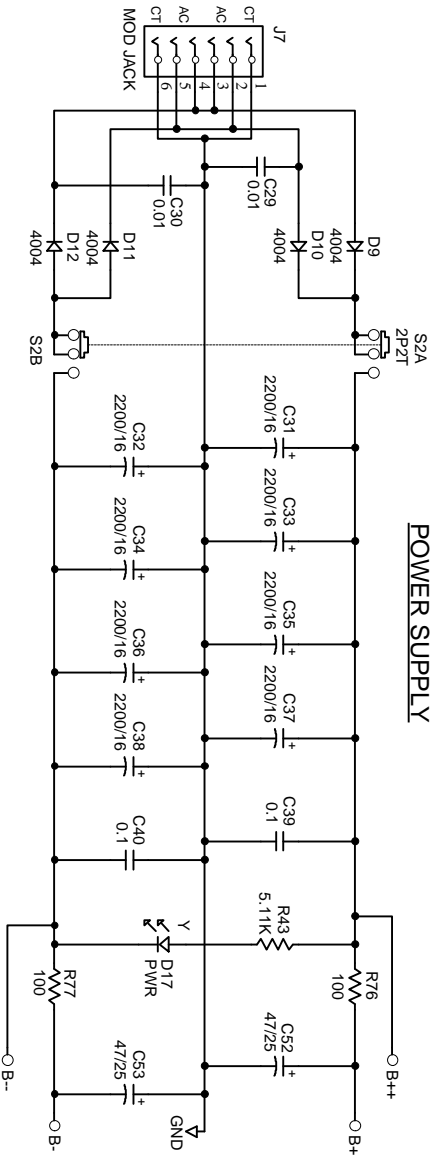
### OVERLOAD CIRCUIT



### DECOUPLING CAPS



### POWER SUPPLY



ACTION:

DRAWN BY: SKH 11MAR96

CHECKED BY: RGH 23MAR96



**MH 4 OLPWR SUPPLY**

SHEET: 2 of 2

100460