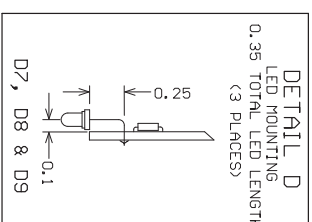
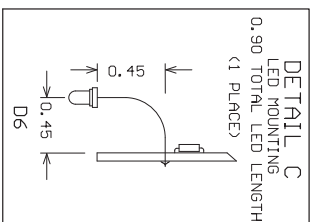
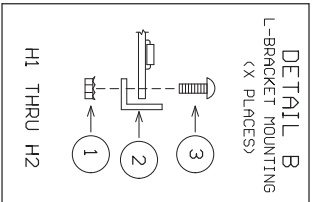
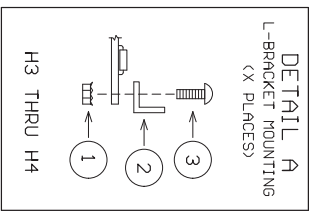
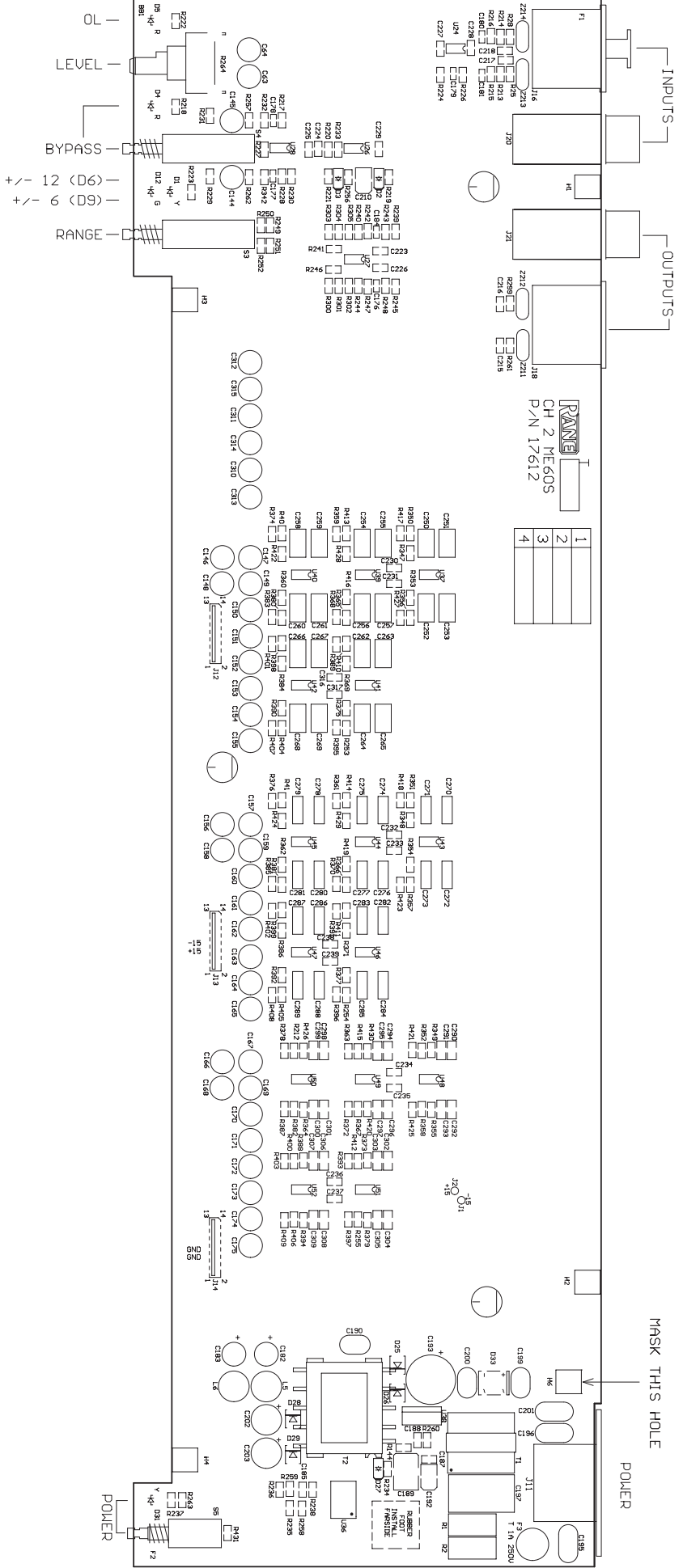


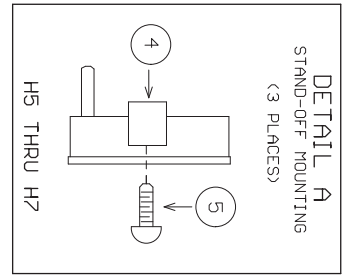
PREP NOTES:
 MASK H1 AND H2
 MASK LEADS



111210 FILM 1 OF 5 TOP SILKSCREEN 1.D CH1 ME60S

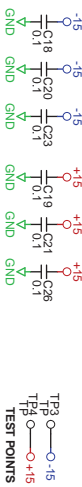
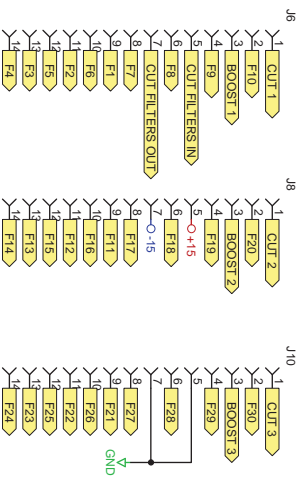
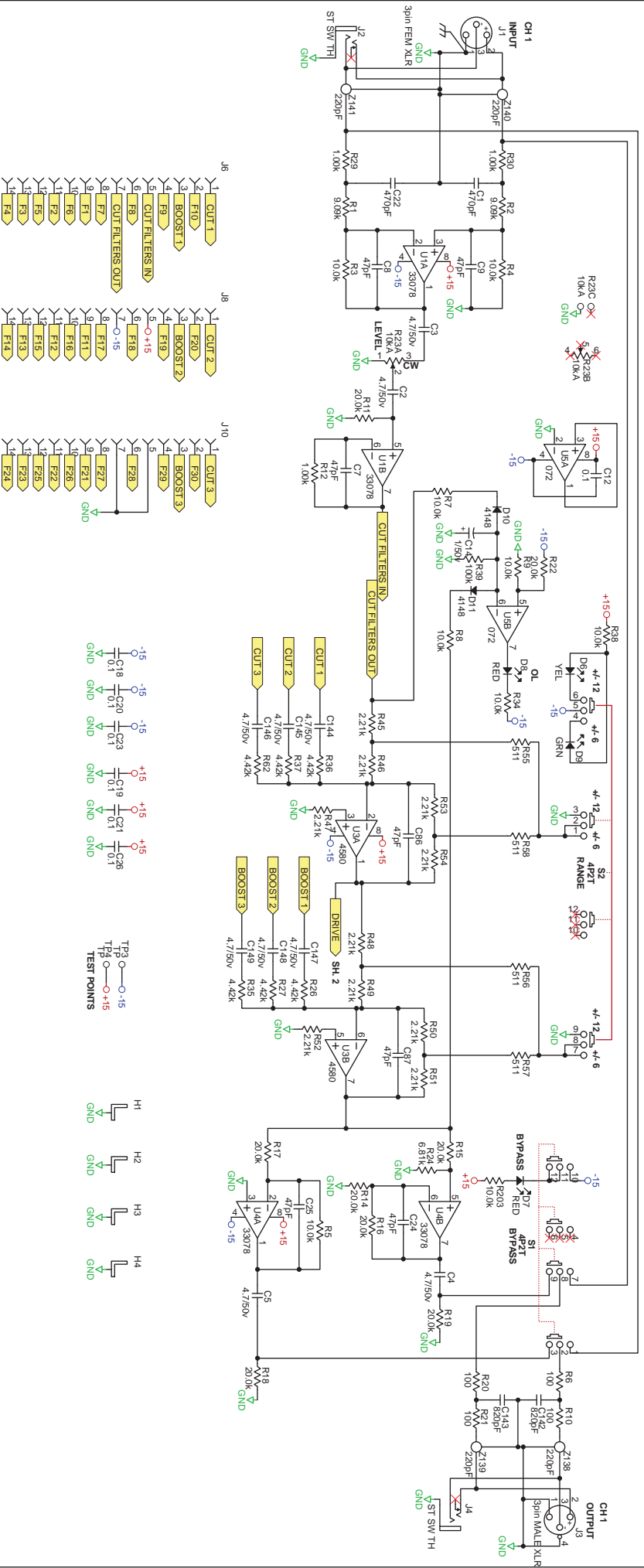






111059 FILM 1 OF 6 TOP SILKSCREEN I.D SLIDER ME60S

ME60S SLIDER PN 17468		RANGE		ME60S SLIDER PN 17468		RANGE	
LOW CUT	R237			R237			
HI CUT	R236			R236			
25Hz	R235			R235			
31.5Hz	R234			R234			
40Hz	R233			R233			
50Hz	R232			R232			
63Hz	R231			R231			
80Hz	R230			R230			
100Hz	R229			R229			
125Hz	R228			R228			
160Hz	R227			R227			
200Hz	R226			R226			
250Hz	R225			R225			
315Hz	R224			R224			
400Hz	R223			R223			
500Hz	R222			R222			
630Hz	R221			R221			
800Hz	R220			R220			
1KHz	R219			R219			
1.25KHz	R218			R218			
1.6KHz	R217			R217			
2KHz	R216			R216			
2.5KHz	R215			R215			
3.15KHz	R214			R214			
4KHz	R213			R213			
5KHz	R212			R212			
6.3KHz	R211			R211			
8KHz	R210			R210			
10KHz	R209			R209			
12.5KHz	R208			R208			
16KHz	R207			R207			
20KHz	R206			R206			
	R205			R205			
	R204			R204			
	R203			R203			
	R202			R202			
	R201			R201			
	R200			R200			
	R199			R199			
	R198			R198			
	R197			R197			
	R196			R196			
	R195			R195			
	R194			R194			
	R193			R193			
	R192			R192			
	R191			R191			
	R190			R190			
	R189			R189			
	R188			R188			
	R187			R187			
	R186			R186			
	R185			R185			
	R184			R184			
	R183			R183			
	R182			R182			
	R181			R181			
	R180			R180			
	R179			R179			
	R178			R178			
	R177			R177			
	R176			R176			
	R175			R175			
	R174			R174			
	R173			R173			
	R172			R172			
	R171			R171			
	R170			R170			
	R169			R169			
	R168			R168			
	R167			R167			
	R166			R166			
	R165			R165			
	R164			R164			
	R163			R163			
	R162			R162			
	R161			R161			
	R160			R160			
	R159			R159			
	R158			R158			
	R157			R157			
	R156			R156			
	R155			R155			
	R154			R154			
	R153			R153			
	R152			R152			
	R151			R151			
	R150			R150			
	R149			R149			
	R148			R148			
	R147			R147			
	R146			R146			
	R145			R145			
	R144			R144			
	R143			R143			
	R142			R142			
	R141			R141			
	R140			R140			
	R139			R139			
	R138			R138			
	R137			R137			
	R136			R136			
	R135			R135			
	R134			R134			
	R133			R133			
	R132			R132			
	R131			R131			
	R130			R130			
	R129			R129			
	R128			R128			
	R127			R127			
	R126			R126			
	R125			R125			
	R124			R124			
	R123			R123			
	R122			R122			
	R121			R121			
	R120			R120			
	R119			R119			
	R118			R118			
	R117			R117			
	R116			R116			
	R115			R115			
	R114			R114			
	R113			R113			
	R112			R112			
	R111			R111			
	R110			R110			
	R109			R109			
	R108			R108			
	R107			R107			
	R106			R106			
	R105			R105			
	R104			R104			
	R103			R103			
	R102			R102			
	R101			R101			
	R100			R100			
	R99			R99			
	R98			R98			
	R97			R97			
	R96			R96			
	R95			R95			
	R94			R94			
	R93			R93			
	R92			R92			
	R91			R91			
	R90			R90			
	R89			R89			
	R88			R88			
	R87			R87			
	R86			R86			
	R85			R85			
	R84			R84			
	R83			R83			
	R82			R82			
	R81			R81			
	R80			R80			
	R79			R79			
	R78			R78			
	R77			R77			
	R76			R76			
	R75			R75			
	R74			R74			
	R73			R73			
	R72			R72			
	R71			R71			
	R70			R70			
	R69			R69			
	R68			R68			
	R67			R67			
	R66			R66			
	R65			R65			
	R64			R64			
	R63			R63			
	R62			R62			
	R61			R61			
	R60			R60			
	R59			R59			
	R58			R58			
	R57			R57			
	R56			R56			
	R55			R55			
	R54			R54			
	R53			R53			
	R52			R52			
	R51			R51			
	R50			R50			
	R49			R49			
	R48			R48			
	R47			R47			
	R46			R46			
	R45			R45			
	R44			R44			
	R43			R43			
	R42			R42			
	R41			R41			
	R40			R40			
	R39			R39			
	R38			R38			
	R37			R37			
	R36			R36			
	R35			R35			
	R34			R34			
	R33			R33			
	R32			R32			
	R31			R31			
	R30			R30			
	R29			R29			
	R28			R28			
	R27			R27			
	R26			R26			
	R25			R25			
	R24			R24			
	R23			R23			
	R22			R22			
	R21			R21			
	R20			R20			
	R19			R19			
	R18			R18			



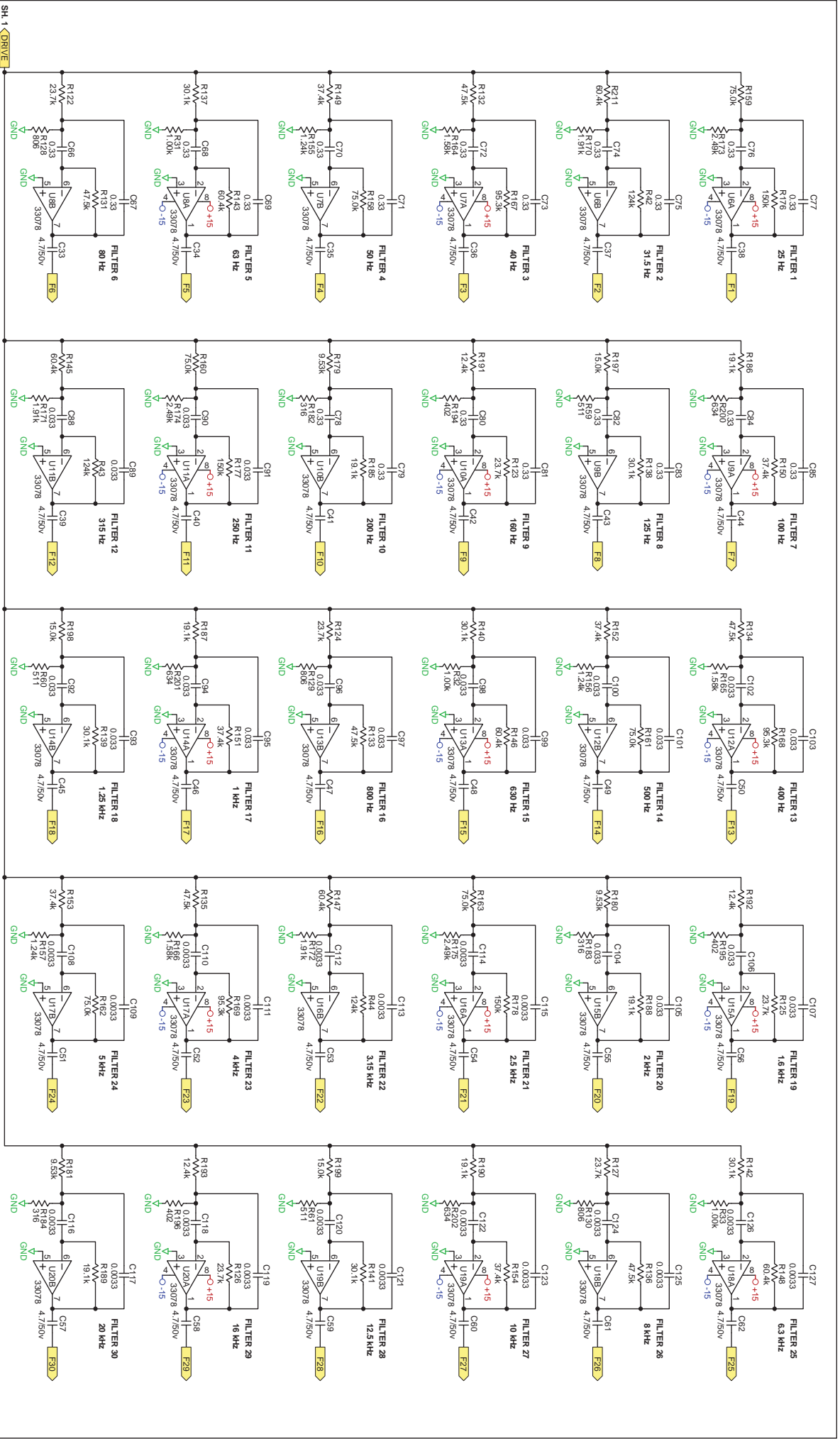
2/7/2008
C:\CAD Projects\ME60S\CH-1_SCHDoc



ACTION:
UPDATED TO ALTIM
WAS 109600 RMJ 25OCT07
DRAWN BY: SKH
CHECKED BY: RJ



CH 1 INPUT/OUTPUT ME60S
SHEET 1 OF 2
111081

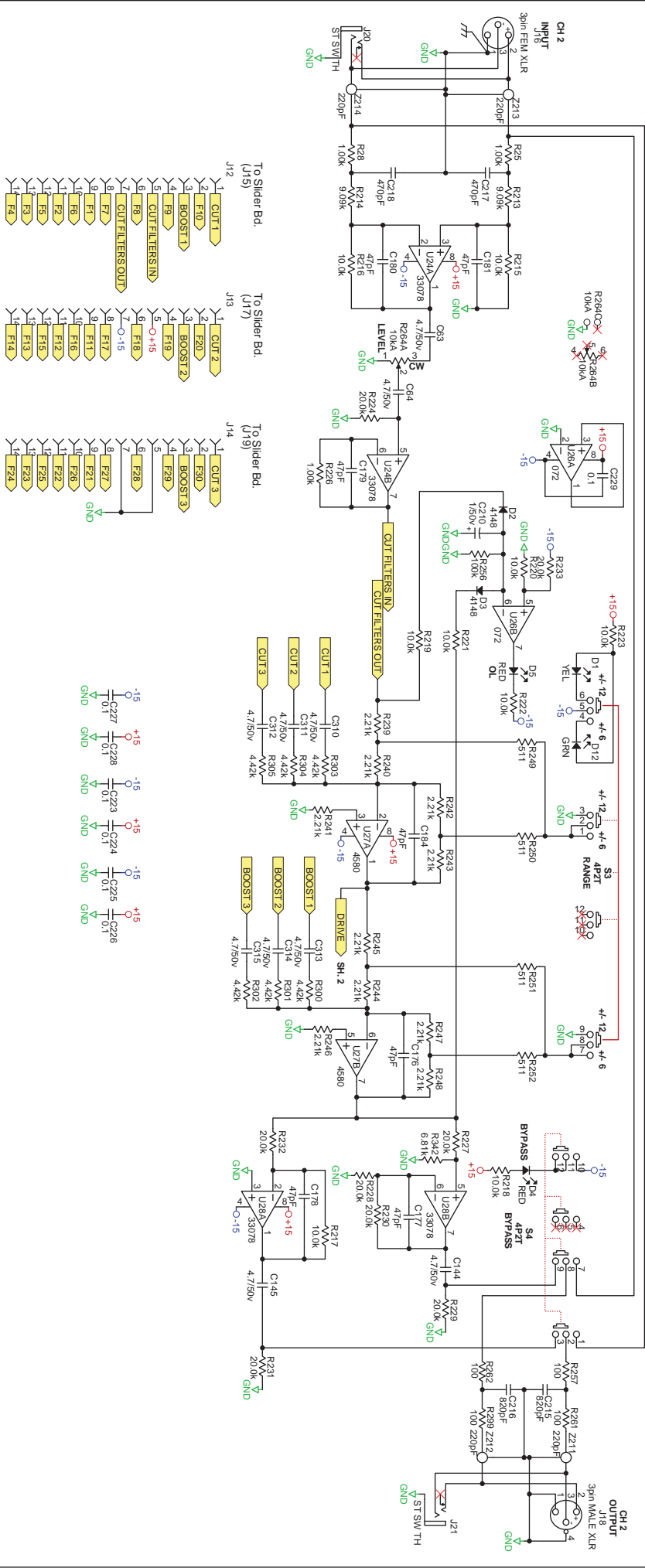


ACTION:
UPDATED TO ALTIUM
WMS 10860 RML 25/02/07
DRAWN BY: SKH
CHECKED BY: RJ

PANE
10802 47th Avenue West
Murkreebo VA 98275-5098

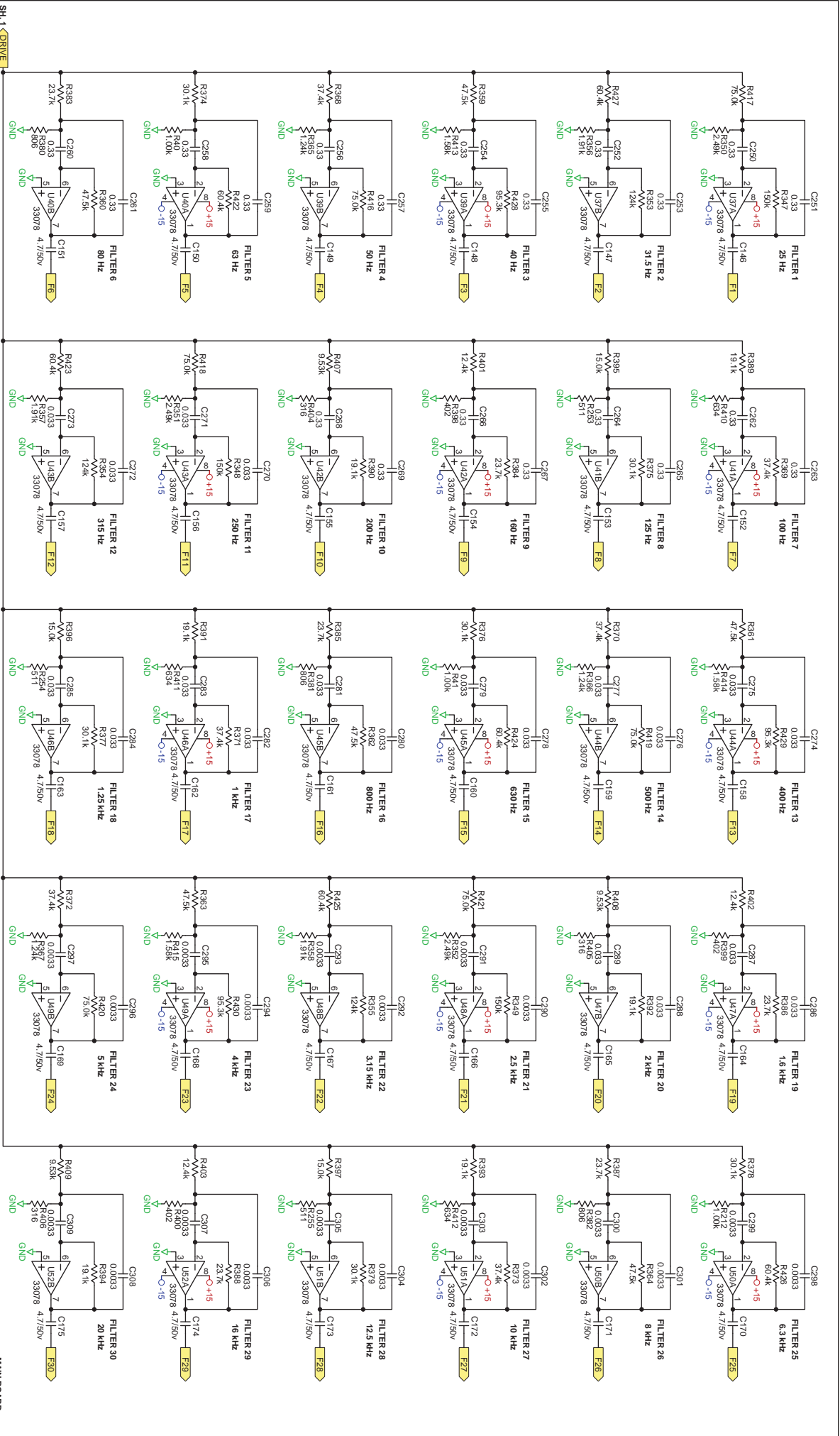
SHEET
2 OF 2

CH 1 FILTERS MEGOS
111081



2/8/2008
 C:\CAD Projects\ME60S\CH2-1.SCHDoc

ACTION:	UPDATED TO ALTIUM		CH 2 INPUT/OUTPUT ME60S
DRAWN BY:	SKH		SHEET
CHECKED BY:	RJ	10902 47th Avenue West Mukilteo WA 98275-5098	111082



ACTION:
UPDATED TO ALTIUM
WAS 10861 RMV 25OCT07
DRAWN BY: SKH
CHECKED BY: RJ

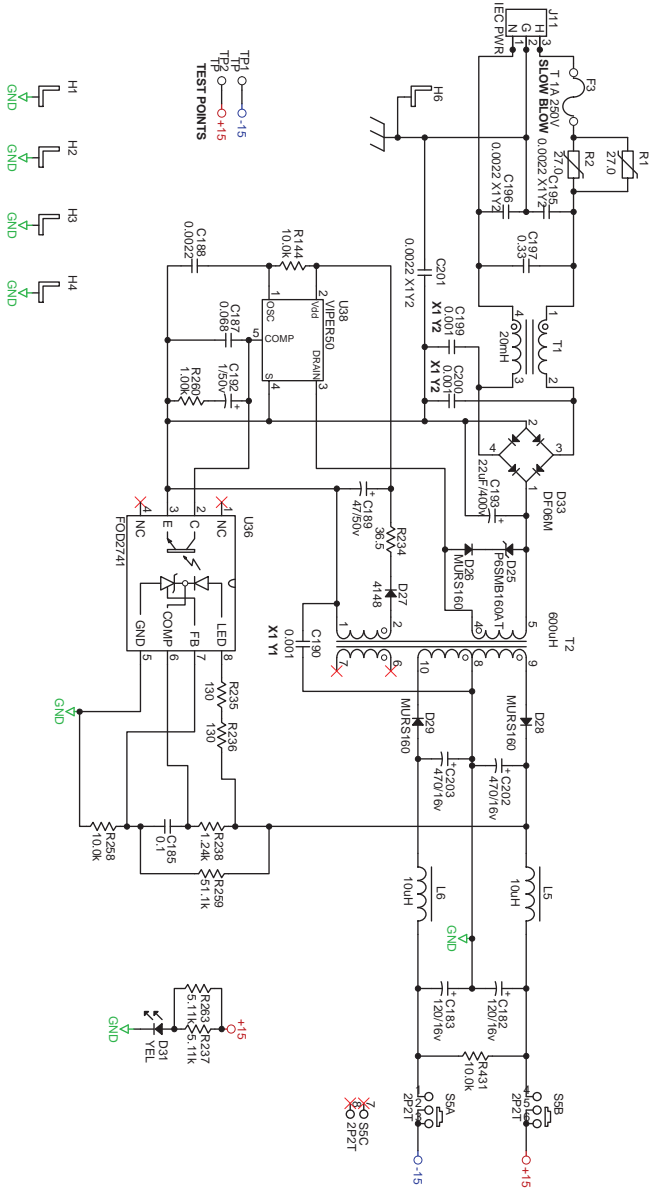
RANE
10902 47th Avenue West
MultiRio VA 98275-5098

CH 2 FILTERS MEGOS

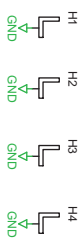
SHEET 2 OF 3

111082

MAIN BOARD

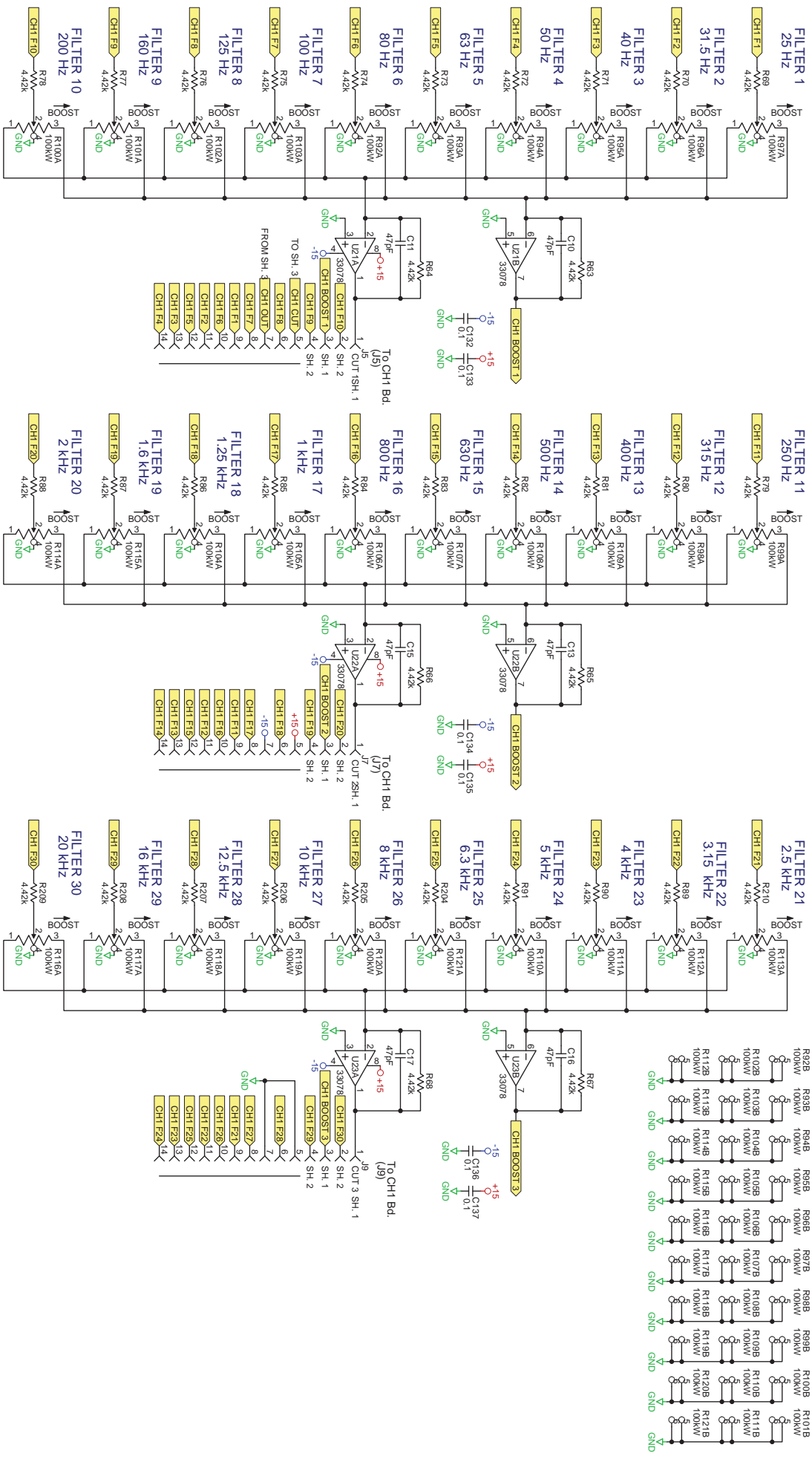


TP1 O -0-15
 TP2 O -0-15
 TP3 O -0-15
 TEST POINTS



ACTION:	UPDATED TO ALTIUM
DRAWN BY:	SKH
CHECKED BY:	RJ
WAS	109601 RWJ/250 CT07



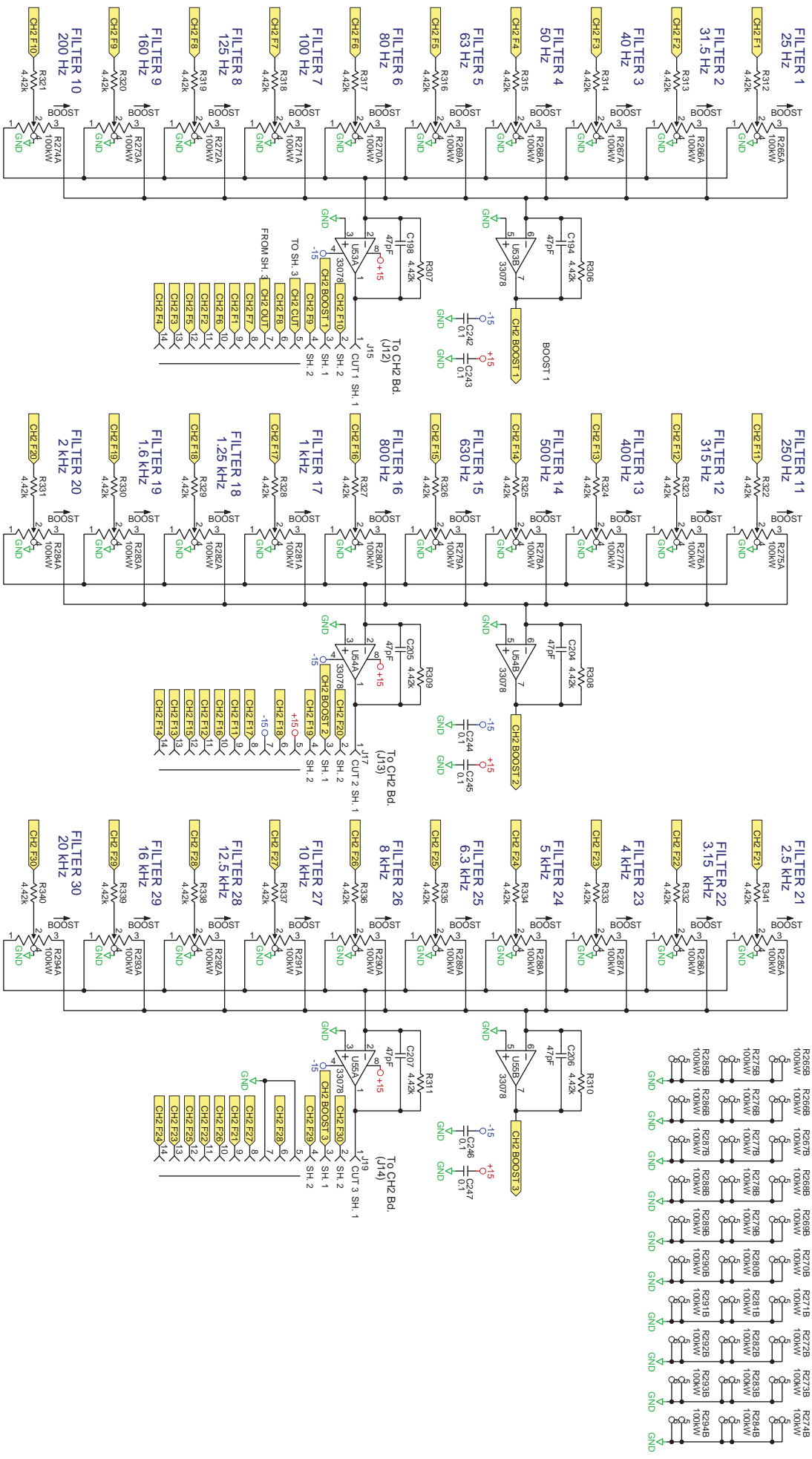


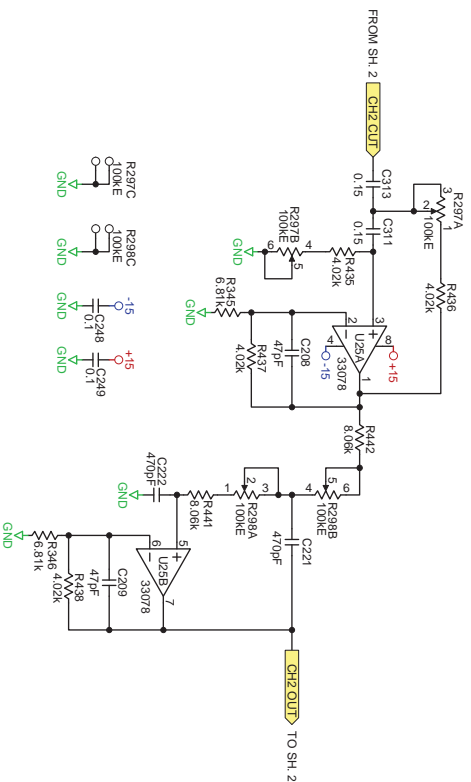
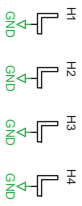
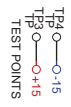
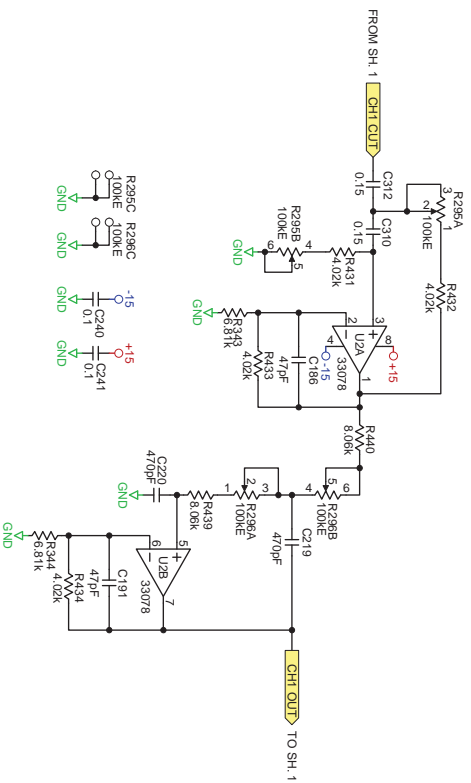
ACTION:
 UPDATED TO ALTIUM
 WAS 109603 RWJ 230CT07
 DRAWN BY: SKH
 CHECKED BY: RJ



CH 1 MEGOS FREQ FILTERS
 SHEET 1 OF 3
 111080

10902 47th Avenue West
 Mukilteo WA 98275-5098





ACTION:	UPDATED TO ALLIUM		CH1 CH2 CUT FILTERS
DRAWN BY:	RWJ		
CHECKED BY:	RJ	10902 47th Avenue West	SHEET 3 OF 3
		Murkhibo WA 98275-5098	
			111080