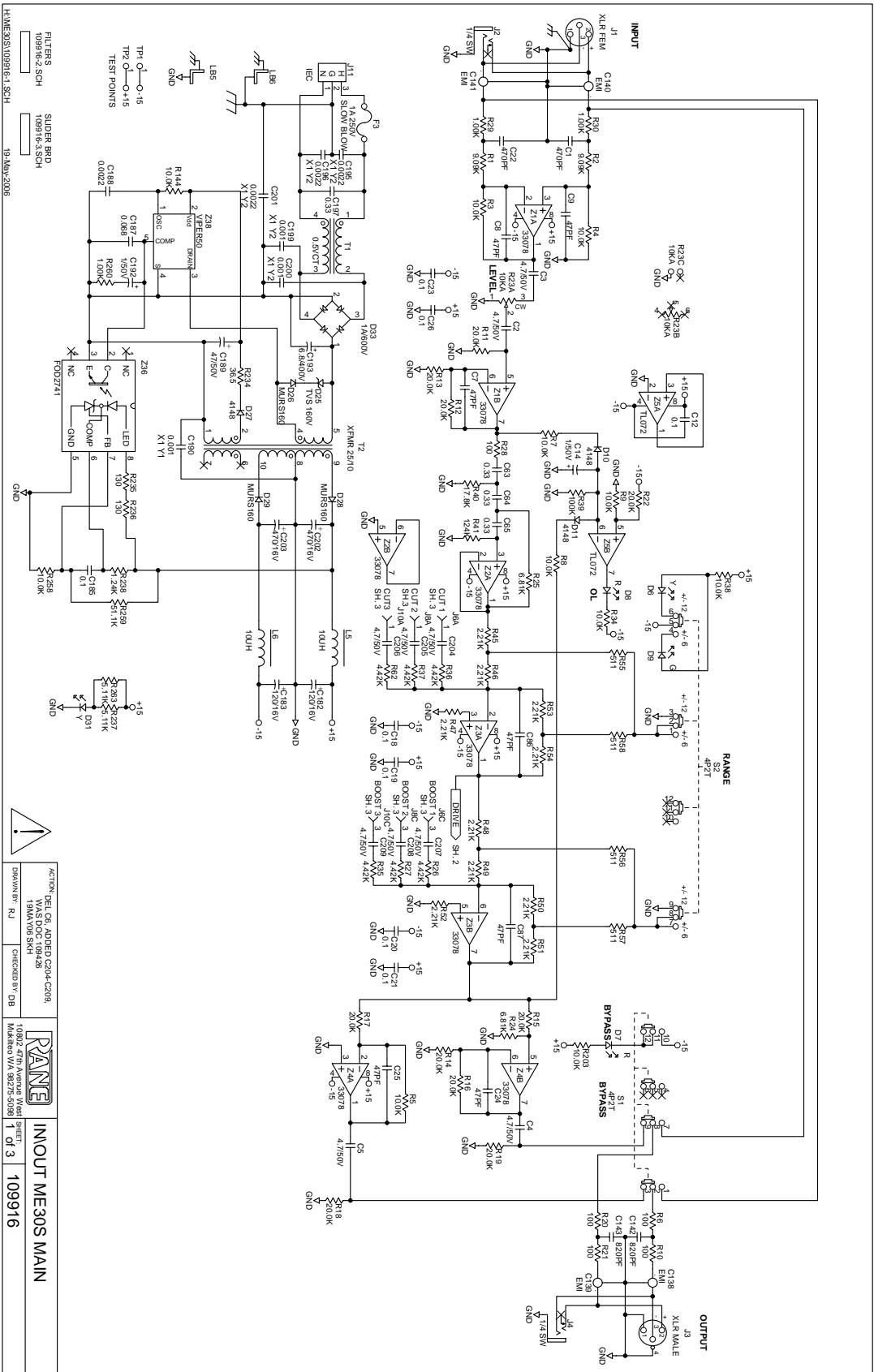


Rane Corp. (425)355-6000
109435 DES TOP MAIN/SLIDER ME30S
ACTION: NEW PRODUCT 23MAY06 SKH



FILTERS
109916-2.SCH
109916-3.SCH

SLIDER BRD
109916-3.SCH

19-AMV-2008

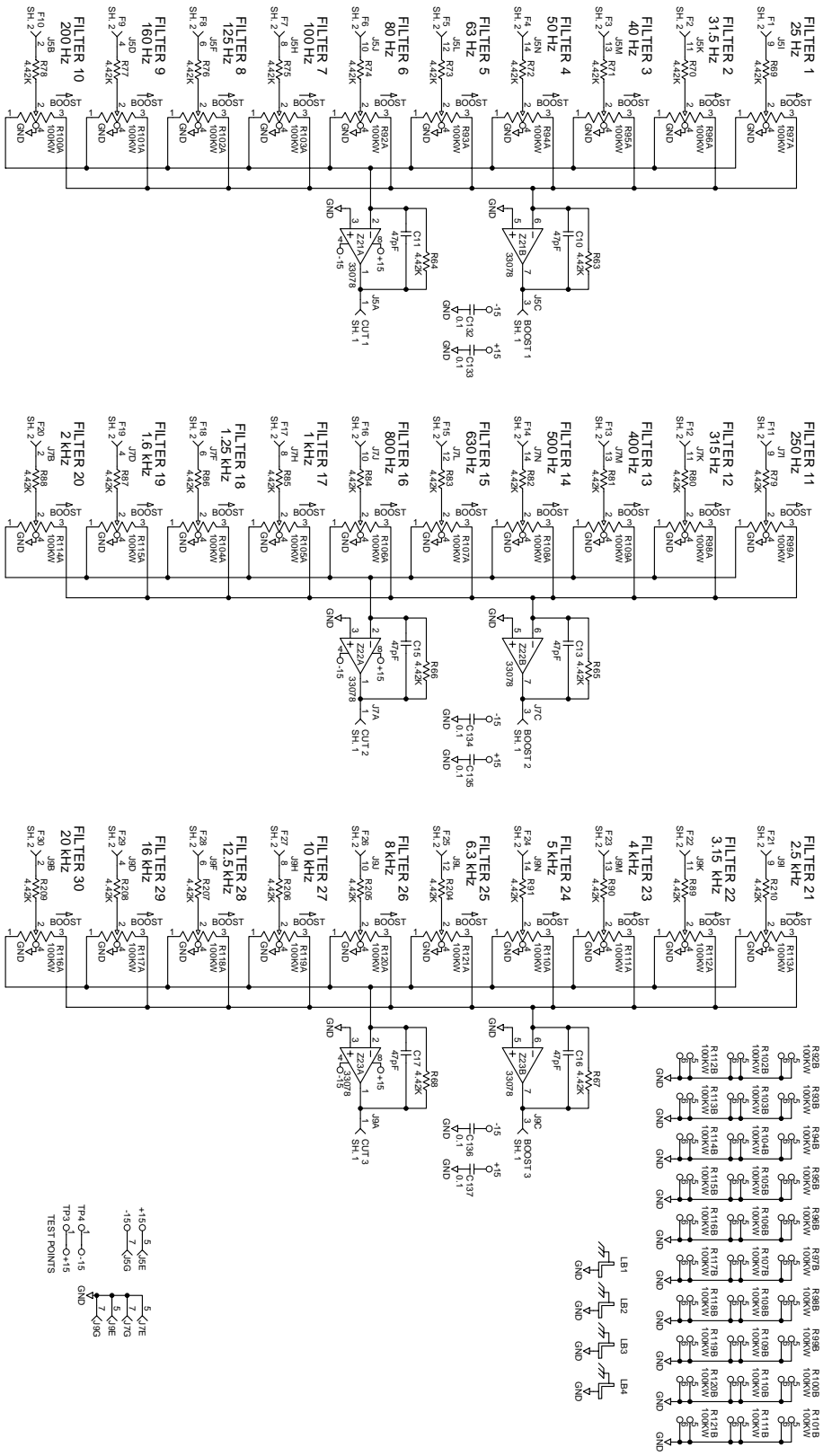


ACTION: DEL CR, ADDED CR04, CR08
VMS DOC: 109428
19-AMV08.SCH

DRAWN BY: RJ
CHECKED BY: DB

109916-3 MAIN SHEET
MARIANA VVA, S275 SCH28
1 of 3

109916



ACTION: NO CHANGE THIS SHEET
 WAS DOC 109428
 19MAY06 SCH
 DRAWN BY: RJ
 CHECKED BY: DB

 1082 ZTRAVRIB WASI
 SHEET
 MARIANA VVA S275 S282
 3 of 3
FILTERS ME30S SLIDER
 109916

