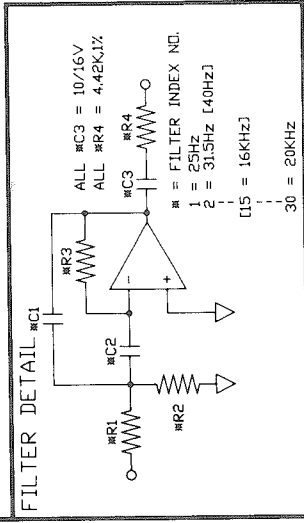
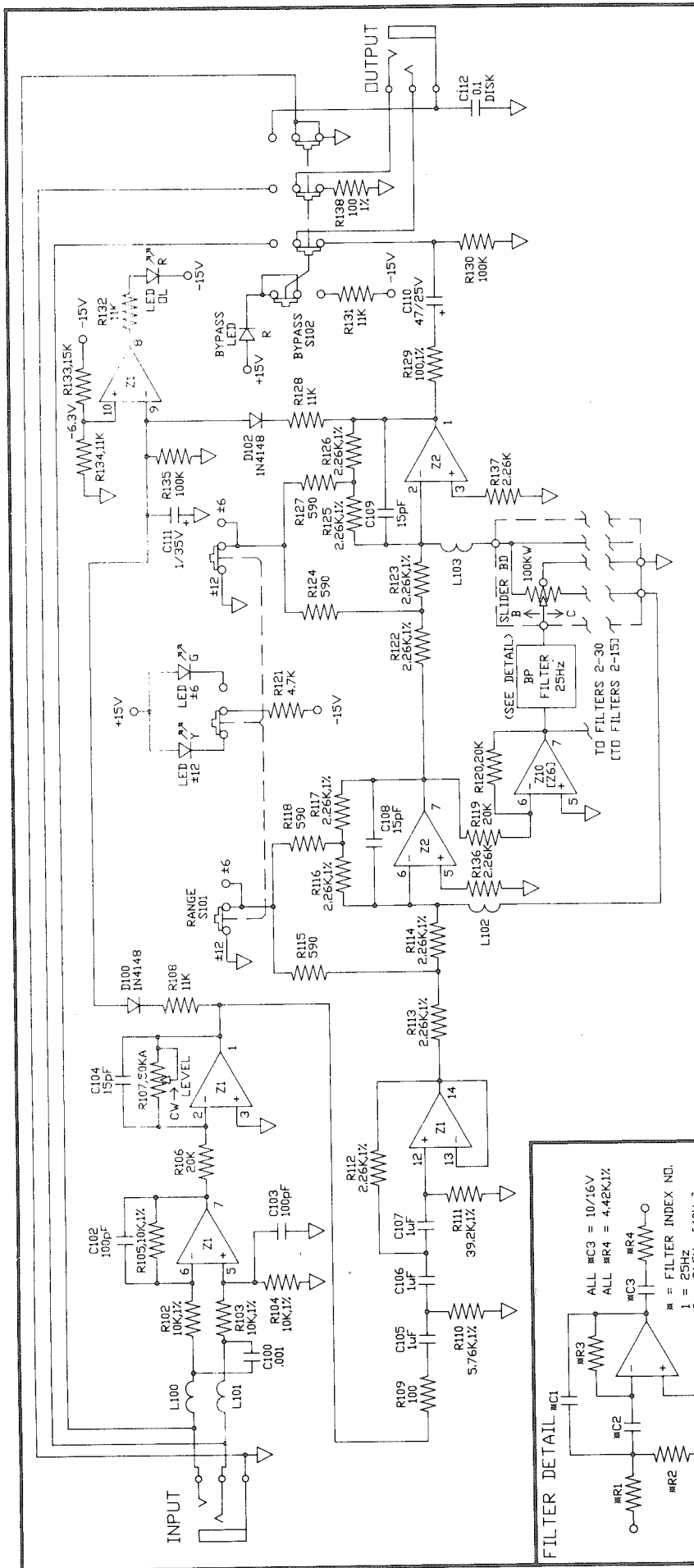


RANE
 Corp. 10802 47th Avenue West, Everett
 WA 98204-3400 (206) 355-6000

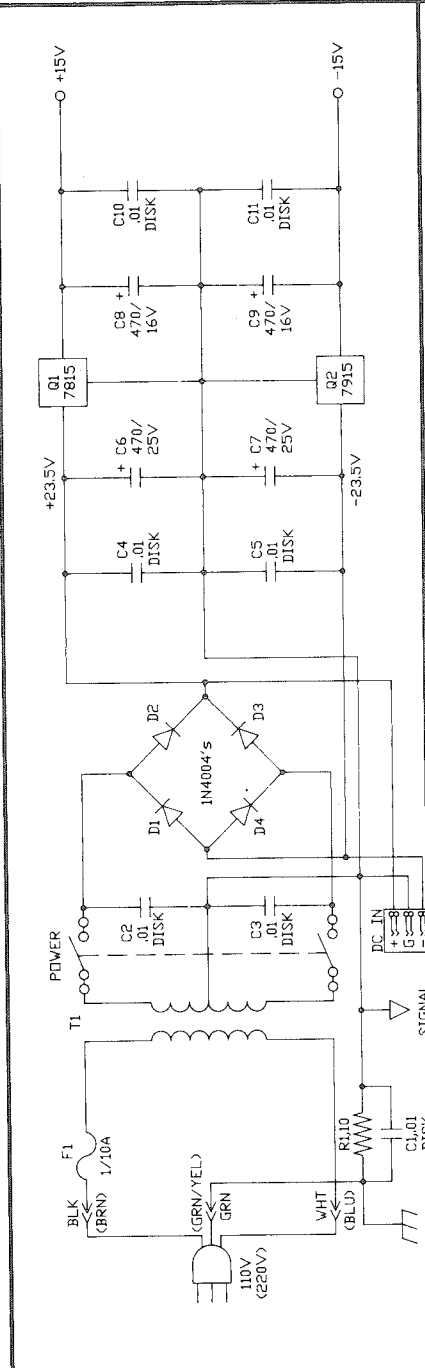
TITLE: ME 30 ASSY
 DRAW. NO. 522-020
 REV. H

REVISIONS	REV. H	ACTION	REMOVED C112
DRAWN S. TURNIDGE	DATE 26MAR87	CHECKED A. CLAXTON	DATE 26MAR87
DATE 26MAY89	APPROVED AVC	DO NOT SCALE DRAWING	
SHEET 1	OF 1		



NOTES (UNLESS OTHERWISE NOTED)

1. ALL RES. 1/4W. 5% CARBON FILM
2. ALL 1/2 RES. METAL FILM
3. ALL CAPS. 100V. POLY
4. ALL QUADS. PIN 4. DUALS. PIN 8 ARE +V
5. ALL QUADS. PIN 11. DUALS. PIN 4 ARE -V
6. ALL SW'S SHOWN IN THEIR 'OUT' DR. 'OFF' POSITION
7. C1, C2, Z1, Z2 = LM833 OR EQUAL
8. C3, C4, Z3, Z4 = 4156 OR EQUAL
9. NOTES IN BRACKETS INDICATE ME15
10. C7, C11 PARTS ARE '100' (C8, C9 PARTS ARE '200')
11. COMMON PARTS ARE 1-999



RANE

Corp. 10802 47th Avenue West, Everett
VA 98204-3400 (206) 355-6000

TITLE: ME15-ME30 SCHEMATIC

REV. NO. 521-023

G

REV. G	DATE 14MAR88	APPROVED AWC
REVISIONS	ACTION REMOVED R2, R3, R4, C12, Q3, Q4, Q5, Q10	DO NOT SCALE DRAWING
DRAWN	DATE 10OCT85	CHECKED DB
SHEET 1	OF 1	