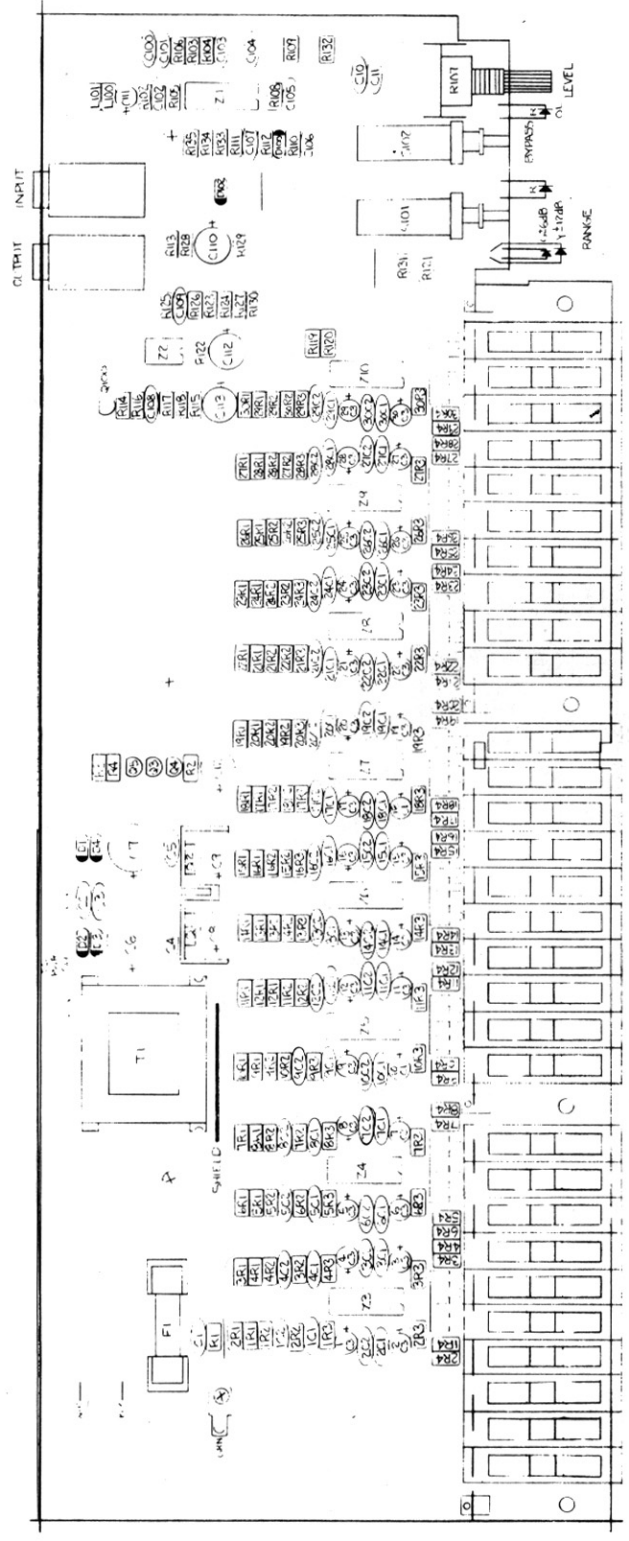


B C
 ADDED C108 - C109
 R100 - R103 NOW L100 L101 3 24 86
 SF 11/21/85
 D. beta



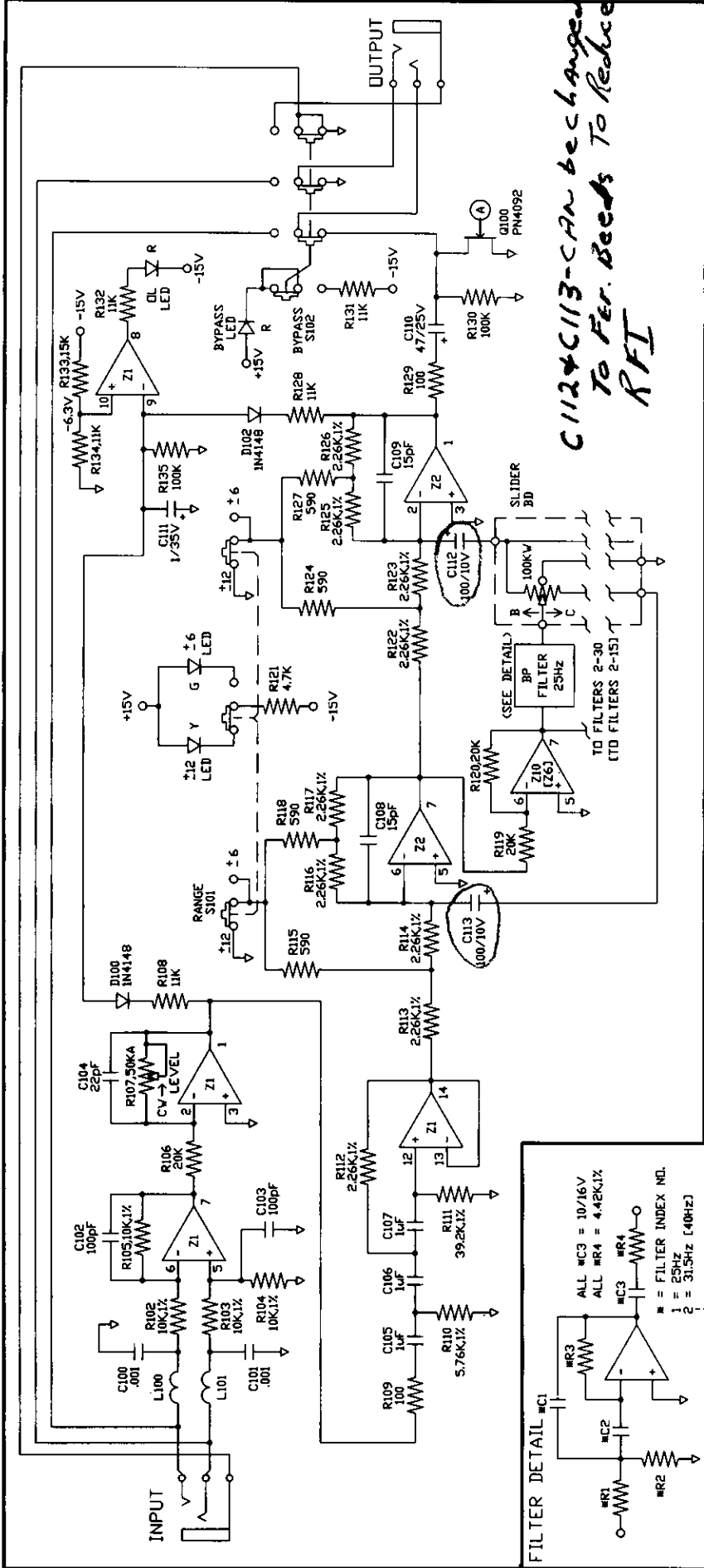
CDRP, 6510 216th S.V. MOUNTLAKE TERRACE,
 VA 98043 (206) 774-7309

TITLE ME 30 ASSY

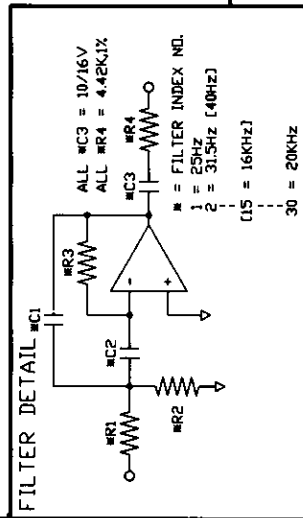
DRW. NO. 522-020

REV. C

DRAWN SF DATE 10-15-85 CHECKED DB SHEET 1 OF 1 DO NOT SCALE DRAWING

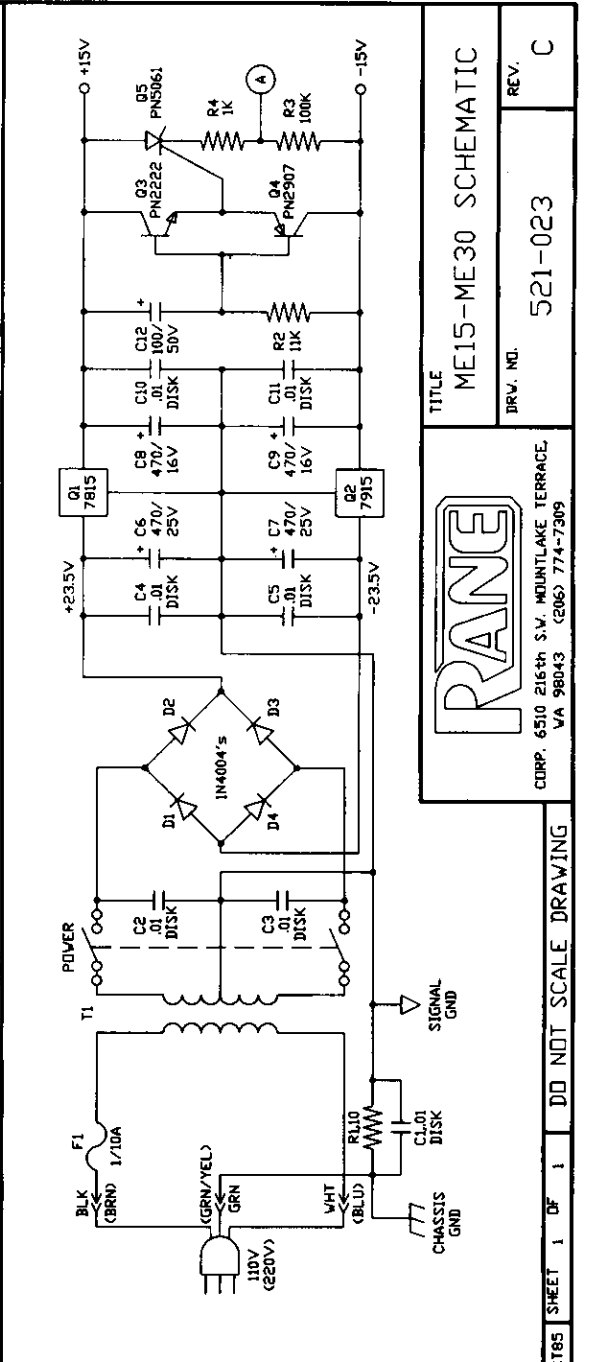


*C112 + C113 - CAN be changed
To Ferr. Beeds To Reduce
RFI*



NOTES (UNLESS OTHERWISE NOTED)

1. ALL RES 1/4W 5% CARBON FILM
2. ALL CAPS 100V POLY
3. QUADS PIN 4, DUALS PIN 8 ARE +V
4. ALL SWS SHOWN IN THEIR 'OUT' OR 'OFF' POSITION
5. IC Z2 = LM833 OR EQUAL
6. NOTES IN BRACKETS INDICATE HELIS
7. (CH1 SHOWN IN CH2 SAME)
8. COMMON PARTS ARE '200'



CORP. 6510 216th S.W. MOUNTLAKE TERRACE
WA 98043 (206) 774-7309

TITLE
ME15-ME30 SCHEMATIC

REV. NO.
521-023