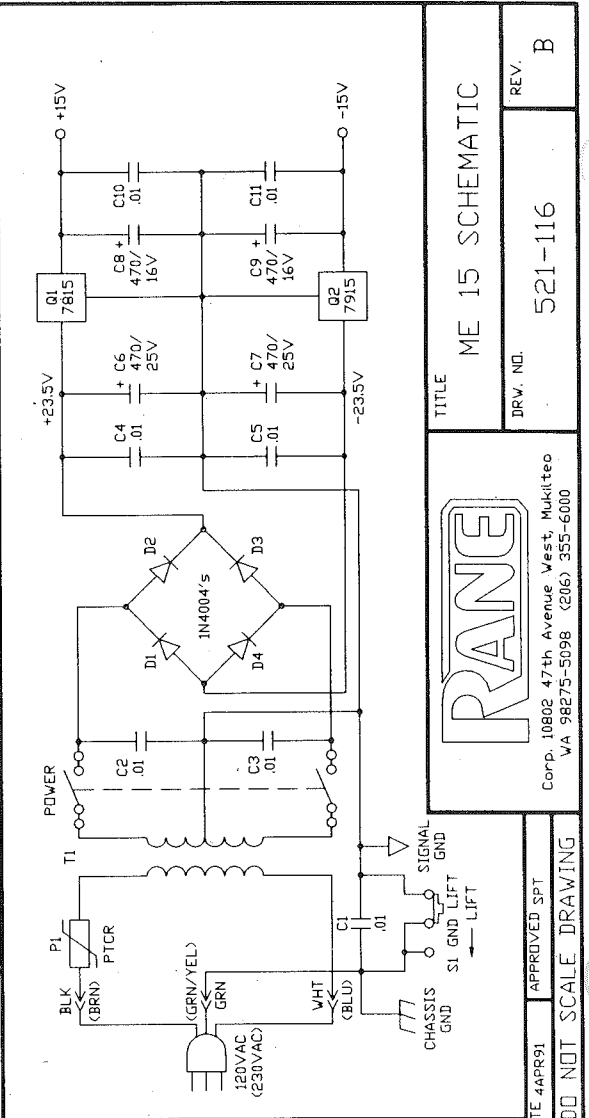
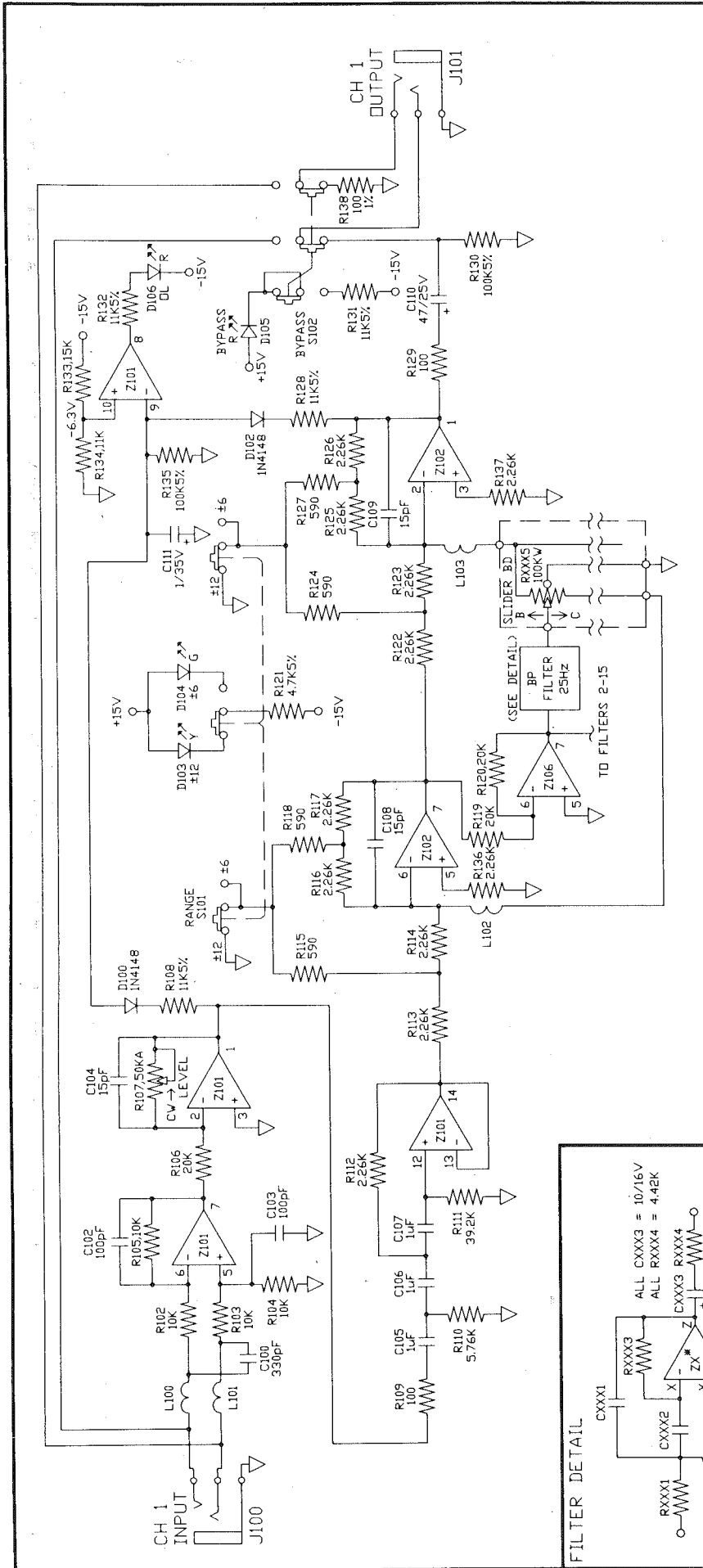


522-021 J



ZX CONNECTION TABLE

FILTER FREQ	ZX*	X	Y	Z	
1	25	ZX03	9	10	8
2	40	ZX03	13	12	14
3	63	ZX03	2	3	1
4	100	ZX03	6	5	7
5	160	ZX04	9	10	8
6	250	ZX04	13	12	14
7	400	ZX04	2	3	1
8	630	ZX04	6	5	7
9	1k	ZX05	9	10	8
10	1.6k	ZX05	13	12	14
11	2.5k	ZX05	2	3	1
12	4k	ZX05	6	5	7
13	6.3k	ZX06	9	10	8
14	10k	ZX06	13	12	14
15	16k	ZX06	2	3	1

* CH1-X=1
CH2-X=2

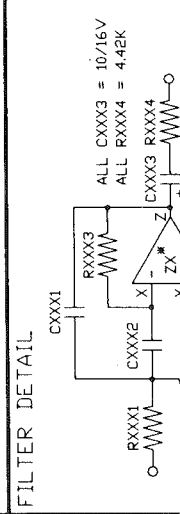
NOTES UNLESS OTHERWISE SPECIFIED:

- ALL RES. 1/4W. 5% CARBON FILM
- ALL I.V. RES. METAL FILM
- ALL CAPS. 100V POLY
- QUADS PIN 4, DUALS PIN 8 ARE +V
- QUADS PIN 11, DUALS PIN 4 ARE -V
- ALL SW'S SHOWN IN THEIR 'OUT'.
- DR. 'DIFF' POSITION
- IC'S: Z101 = 4570 OR EQUIV.
Z102 = 4574 OR EQUIV.
Z103-Z105 = 4106 CHANNEL 2 IDENTICAL
- CHANNEL 1 PARTS NUMBERED 100-199
- CHANNEL 2 PARTS NUMBERED 200-299
- PARTS COMMON TO BOTH CHANNELS NUMBERED 1-99
- FILTER DESIGNATION SCHEME:
X X XX
X X XX X
X X XX X

*SEE TABLE

DESIGNATOR
FILTER NUMBER (01-15)
1 = CHANNEL 1, 2 = CHANNEL 2
COMPONENT TYPE

EXAMPLE: C107E
CAPACITOR, CHANNEL 1, FILTER 07 (400HZ), NUMBER 2



TITLE
ME 15 SCHEMATIC

REV. B

DRV. NO. 521-116

Corp. 10802 47th Avenue West, Mukitico
VA 98275-5098 (206) 355-6000

REVISIONS (REV. B) ACTION Z101 WAS Z100, Z102 WAS Z101, Z106 WAS Z102
DRAWN S TURNIDGE DATE 8DEC90 CHECKED A CLAXTON DATE 10DEC90 SHEET 1 OF 1 DATE 4APR91 APPROVED SPT
DO NOT SCALE DRAWING