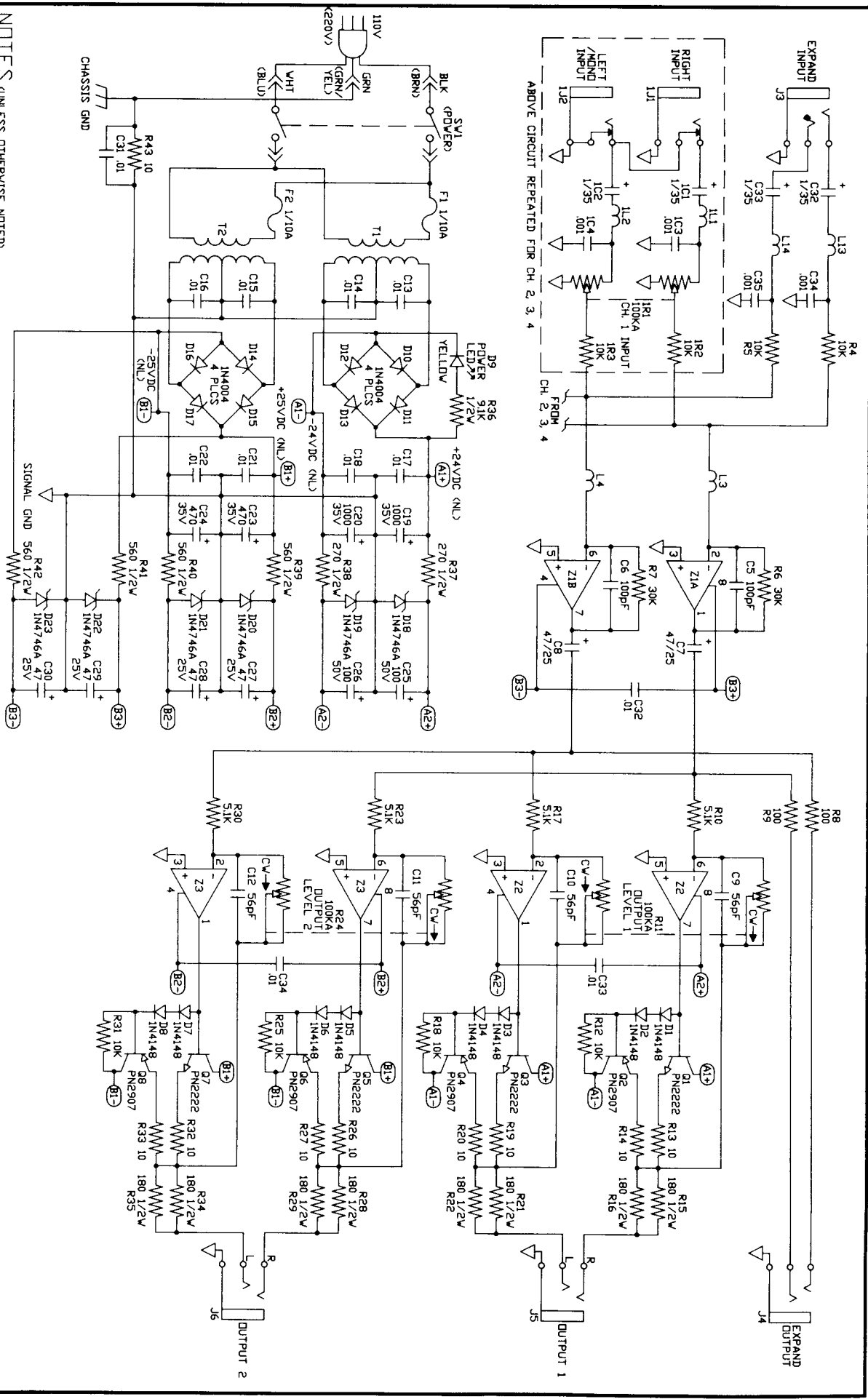


**RANGE**

Corp. 10802 47th Avenue West, Everett  
WA 98204-3400 (206) 355-6000

TITLE	HM 42 ASSY	REV. A
DRV. NO.	522-028	

REVISIONS	REV. A	ACTION	DATE 03AUG87	APPROVED	DO NOT SCALE DRAWING
DRAWN S. TURNIDGE			DATE 29JUN87	CHECKED A. CLAXTON	DATE 30JUN87
		SHEET 3	OF 3		



NOTES (UNLESS OTHERWISE NOTED)

1. ALL RES 1/4W 1% METAL FILM 5% CARBON FILM.
  2. POWER SUPPLY CONNECTIONS:
- |      |         |         |
|------|---------|---------|
| SING | POS SUP | NEG SUP |
| DUAL | 8       | 4       |
| QUAD | 7       | 11      |
3. ALL SVS SHOWN IN THEIR 'OUT' DR 'OFF' POSITION
  4. Z1=MC4570, LM833, 5532, OR EQUAL.
- Z2, Z3=4072, 353, TL072, OR EQUAL.

REVISIONS	REV. A	ACTION
DRAWN S. TURMIDGE	DATE 13MAR87	CHECKED A. CLAYTON DATE 16MAR87
	SHEET 1	OF 1
	DATE 03AUG87	APPROVED
	DD NOT SCALE DRAWING	

Comp. 10802 47th Avenue West, Everett  
VA 98204-3400 (206) 355-6000

TITLE	HM 42
DRW. NO.	521-033
	SCHEMATIC
REV.	A