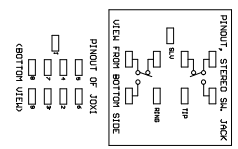
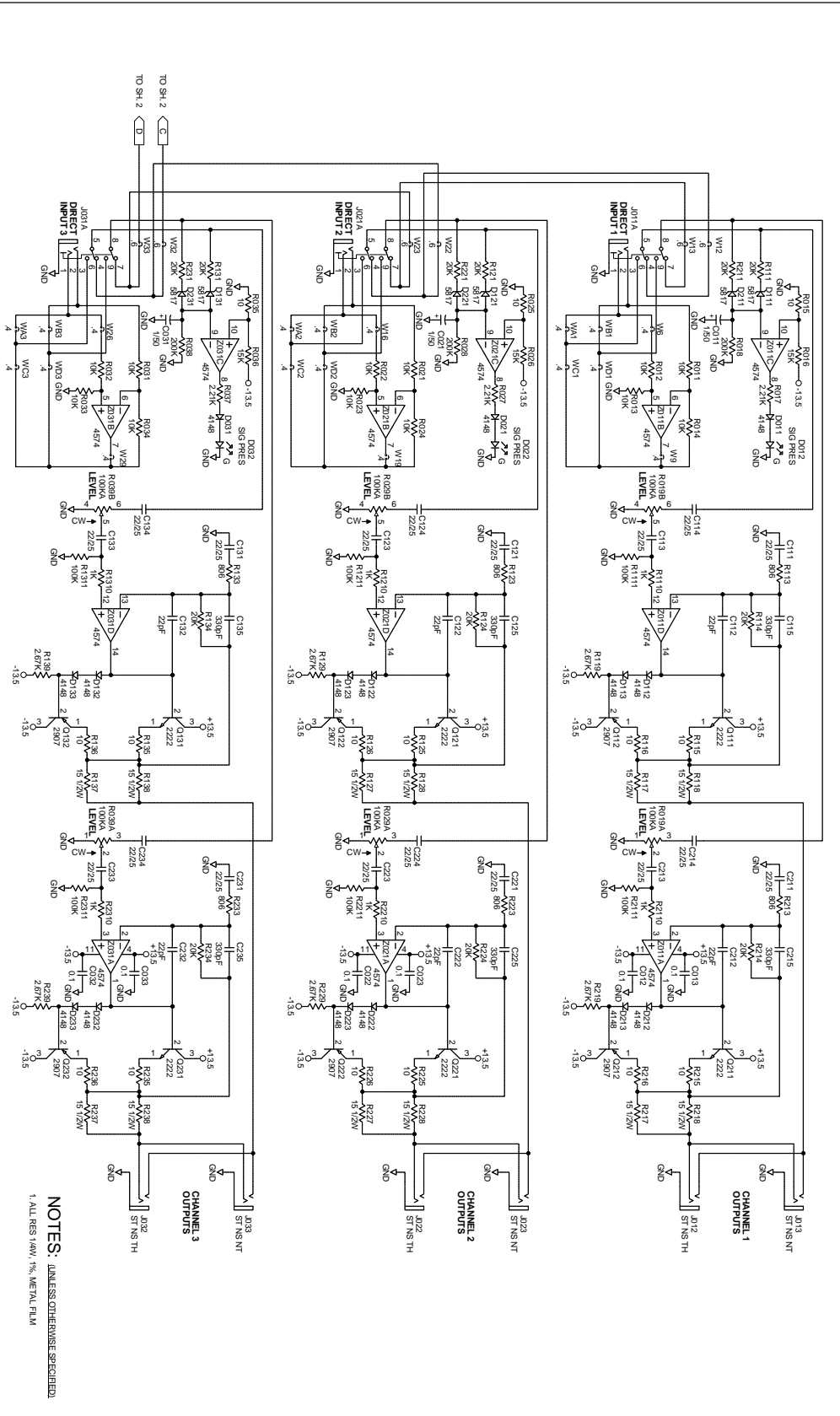
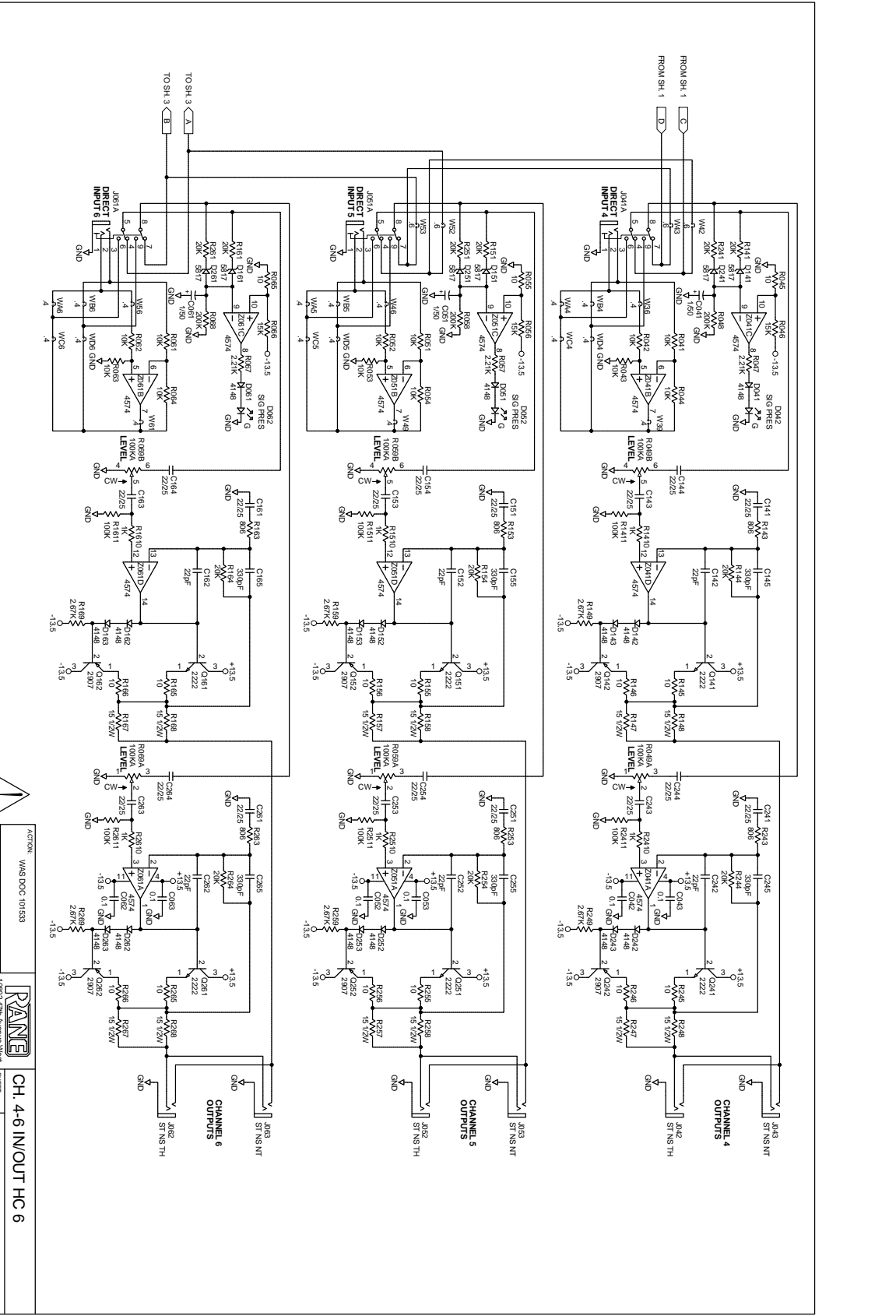


Rane Corp. (425)355-6000
 104892 DES HC 6
 ACTION: CONVERTED TO PROTEL, WAS DOC 101535
 SKH 27MAR01





NOTES: UNLESS OTHERWISE SPECIFIED
 1. ALL RES 100M, 1%, METAL FILM



FROM SH 1

TO SH 3

TO SH 3 C

DIRECT INPUT 4

DIRECT INPUT 5

DIRECT INPUT 6

OUT 4

OUT 5

OUT 6

ST NS TH

ST NS NT

ST NS TH

ST NS NT

ST NS TH

ST NS NT

ST NS TH

ST NS NT

ST NS TH

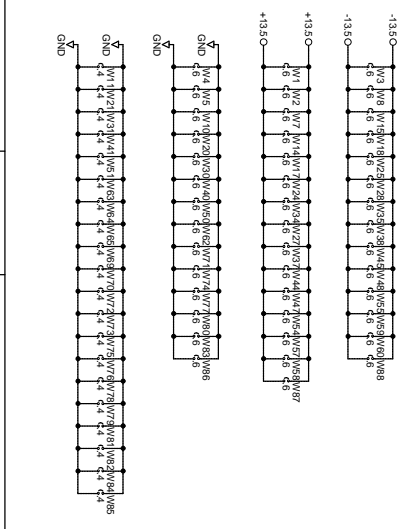
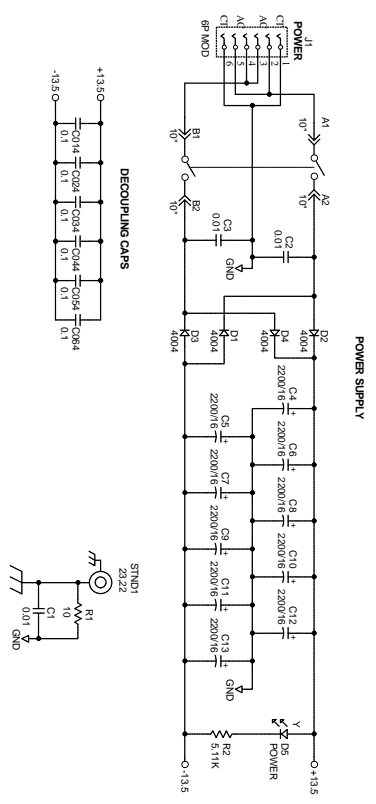
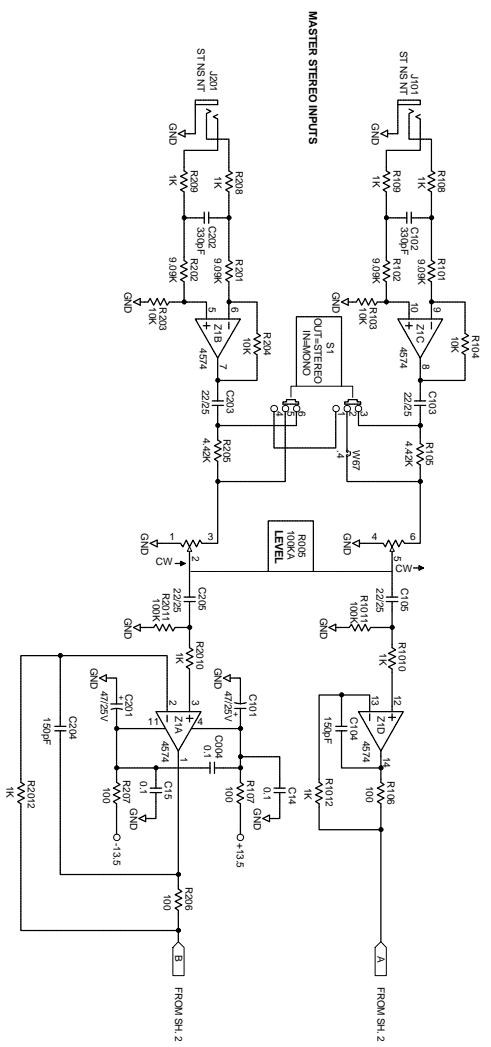
ST NS NT

ST NS TH

ST NS NT

ST NS TH

ST NS NT



14HC01009863.SCH 11/14/2001



ACTION:	WAS DOC 101538		MSTR STEREO IN/PWR HC 6
DESIGN BY:	SRH		
CHECKED BY:		10892, 47th Avenue West Tukwila, WA 98148	SHEET 3 of 3
			104886