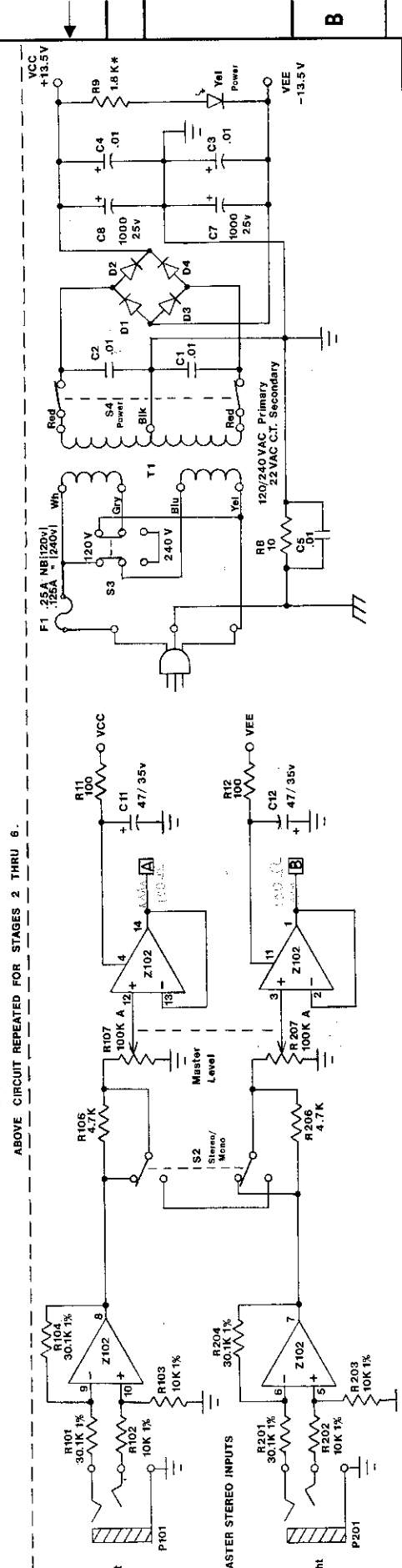
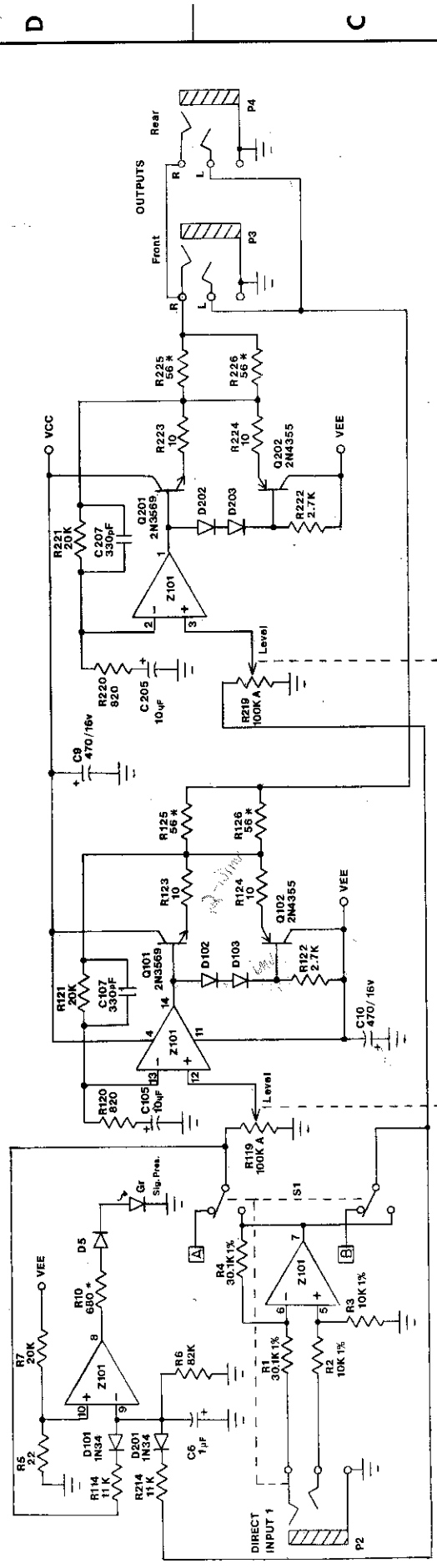


ZONE	LTR	REVISIONS	DATE	APPROVED



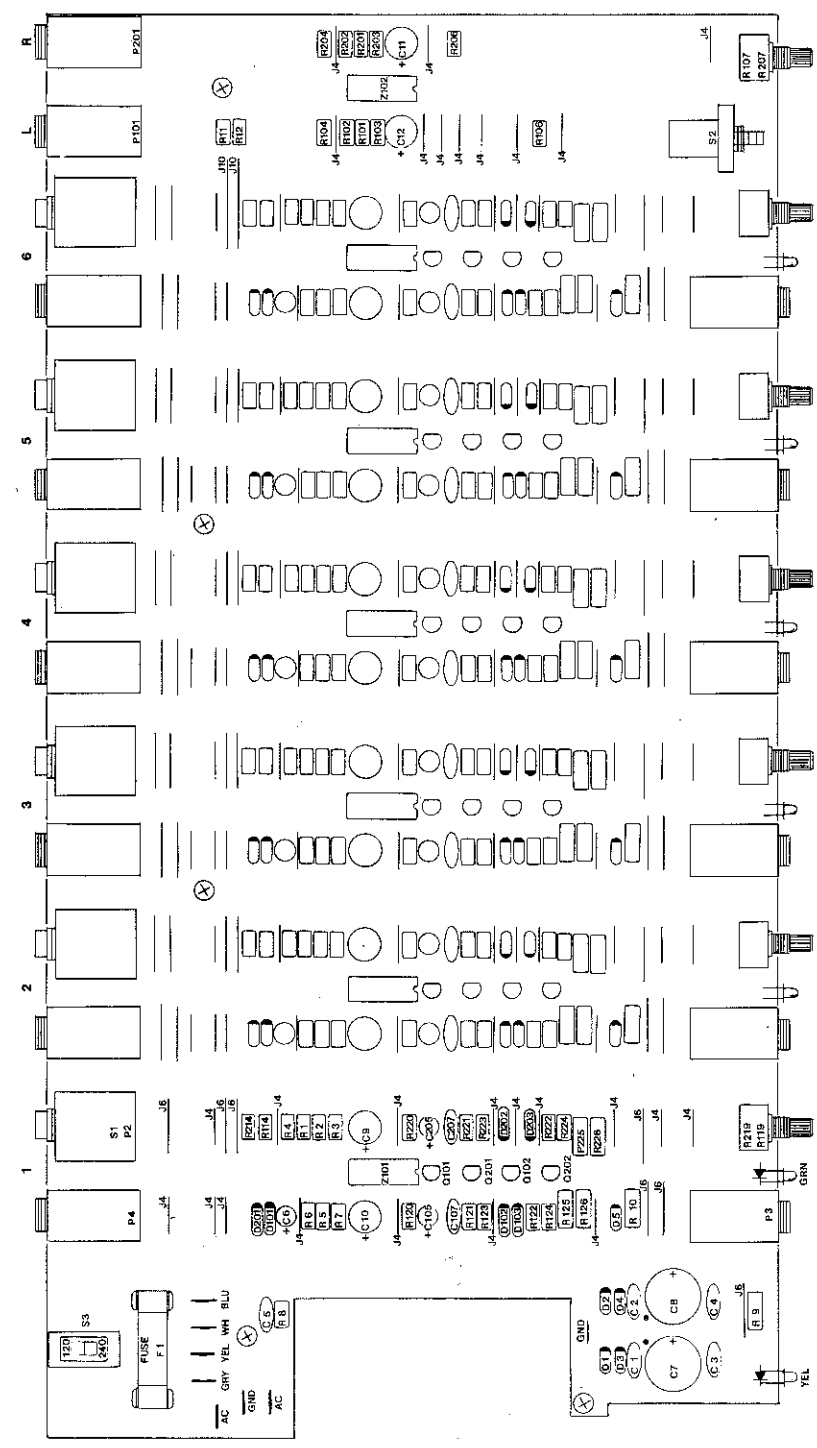
<p>NOTES</p> <p>1. All resistors 1/4 watt 5% unless otherwise indicated.</p> <p>2. All diodes are 1N4149</p> <p>3. * indicates 1/2 watt.</p> <p>4. All IC's are TL074 or equal</p> <p>5. Prefix designators: 1-99 common to L and R Ch. 100's Left Ch. 200's Right Ch.</p> <p>6. D1-D4 1N4004</p>		<p>PARTS LIST</p> <p>CONTRACT NO.</p> <p>UNLESS OTHERWISE SPECIFIED DIMENSIONS ARE IN INCHES FRACTIONS DECIMALS ANGLES</p> <p>XX ± .XXX ± °</p> <p>MATERIAL FINISH</p>		<p>APPROVALS</p> <p>DATE</p> <p>14-3-1982</p>	
<p>QTY</p>		<p>CODE IDENT</p>		<p>PART OR IDENTIFYING NO.</p>	
<p>REXT ASSY</p>		<p>USED ON</p>		<p>DO NOT SCALE DRAWING</p>	
<p>APPLICATION</p>		<p>SCALE</p>		<p>SHEET 1 OF 1</p>	

PRANE CORP. HCG SCHEMATIC. SIZE C A 520-006

4 3 2 1

REVISIONS		DATE	APPROVED
ZONE	LTR		

D C B A



NOTES
 1. STAGES 2 THRU 6 SAME AS 1

QTY REQD		CODE IDENT	PART OR IDENTIFYING NO.	NOMENCLATURE OR DESCRIPTION	
PARTS LIST					
UNLESS OTHERWISE SPECIFIED DIMENSIONS ARE IN INCHES TOLERANCES ARE:			CONTRACT NO.		
FRACTIONS	DECIMALS	ANGLES	APPROVALS	DATE	
± .XX ±	± .XXX ±	±	DRAWN	14 JUL 52	
MATERIAL			CHECKED	SB	
FINISH			HCG ASSY.		
NEXT ASSY			USED ON	APPLICATION	
DO NOT SCALE DRAWING			SCALE	FULL	SHEET 1 OF 1

Diagram VI-2.2