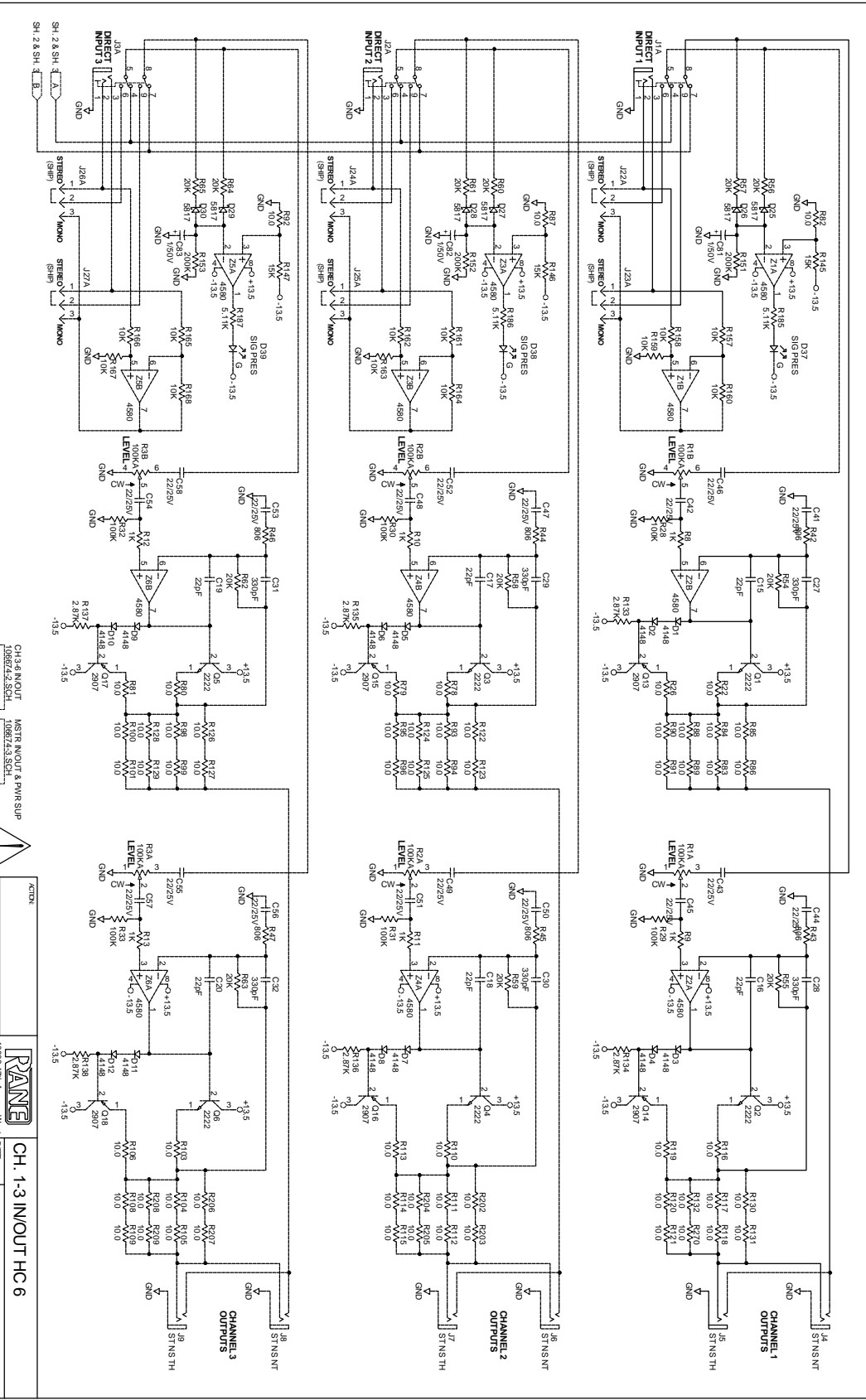
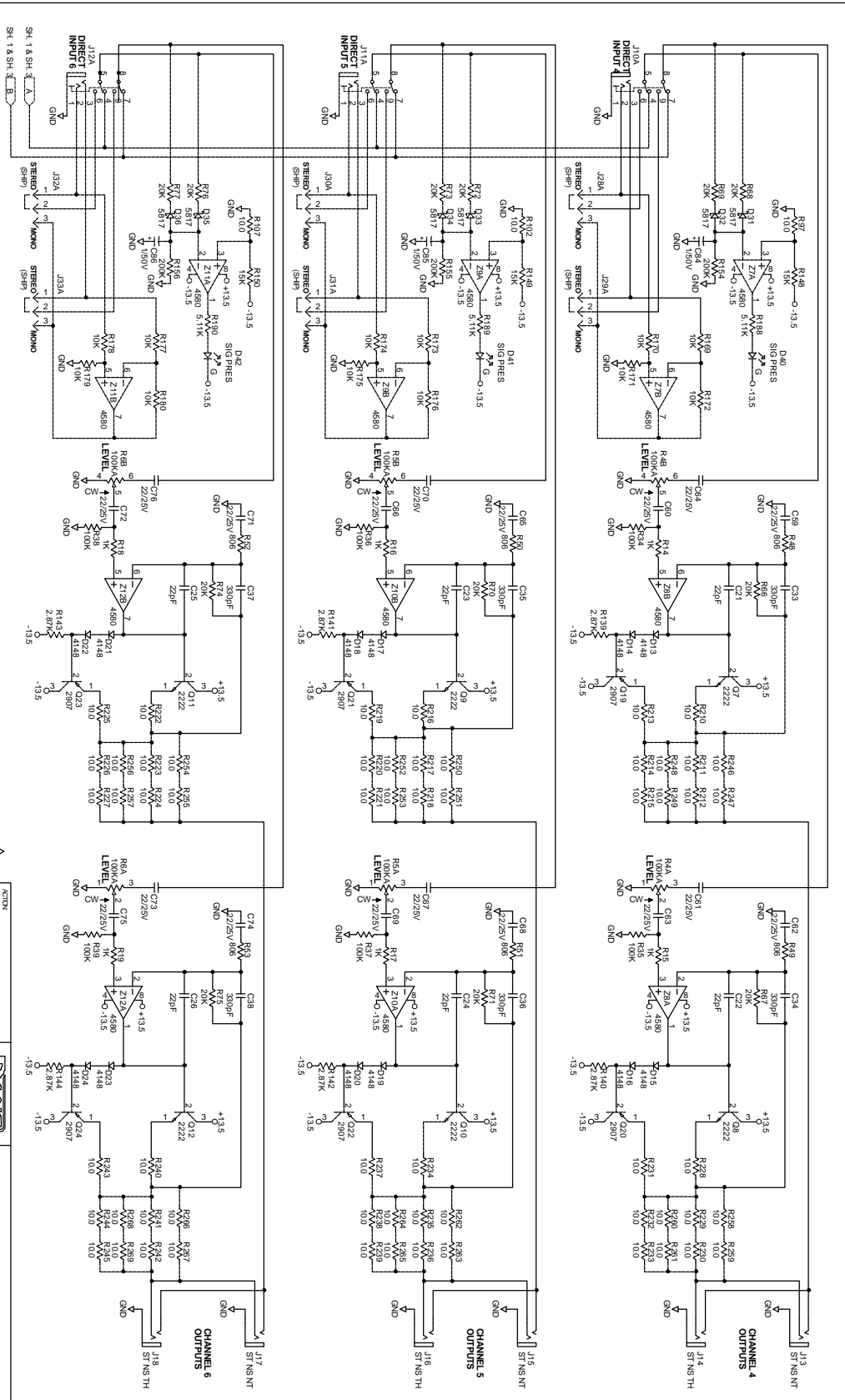
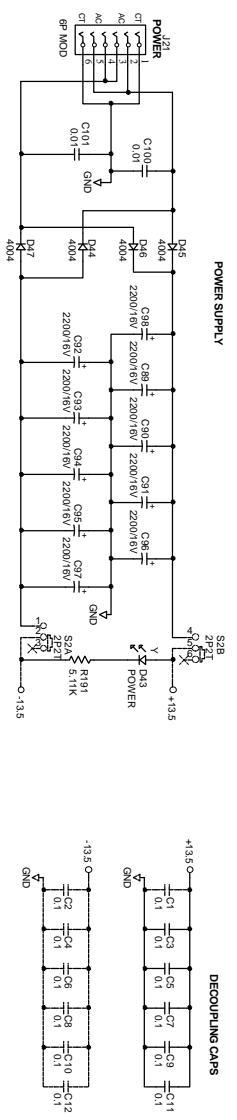
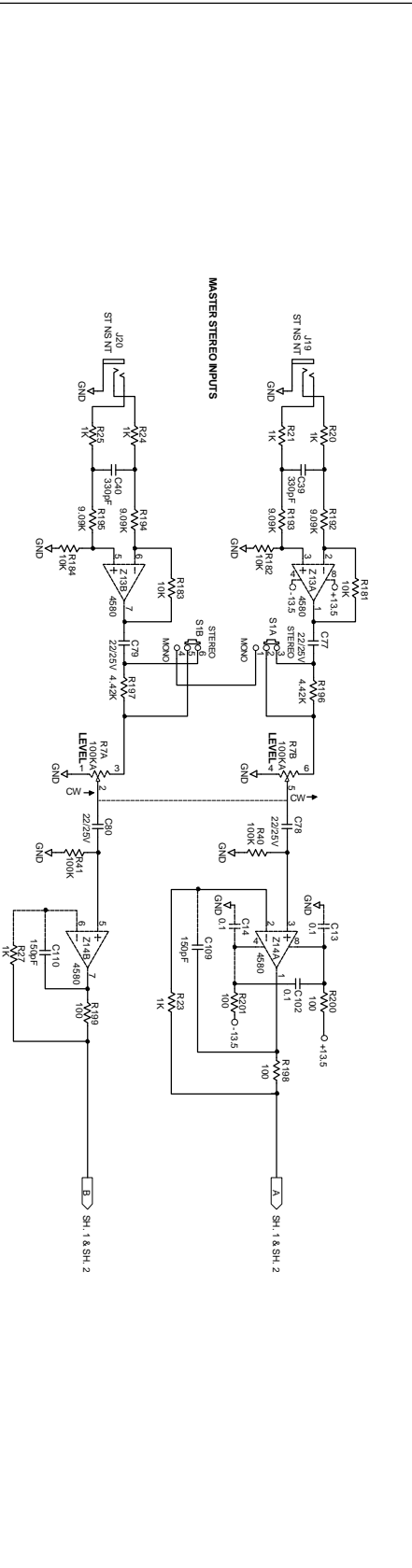


Rane Corp. (425)355-6000
 106647 DES HC 6
 ACTION: NEW LAYOUT SKH 18FEB03







SECTION	REVISION	DATE
0	1	03/27/03
1	2	03/27/03
2	3	03/27/03
3	4	03/27/03
4	5	03/27/03
5	6	03/27/03
6	7	03/27/03
7	8	03/27/03
8	9	03/27/03
9	10	03/27/03
10	11	03/27/03
11	12	03/27/03
12	13	03/27/03
13	14	03/27/03
14	15	03/27/03
15	16	03/27/03
16	17	03/27/03
17	18	03/27/03
18	19	03/27/03
19	20	03/27/03
20	21	03/27/03
21	22	03/27/03
22	23	03/27/03
23	24	03/27/03
24	25	03/27/03
25	26	03/27/03
26	27	03/27/03
27	28	03/27/03
28	29	03/27/03
29	30	03/27/03
30	31	03/27/03
31	32	03/27/03
32	33	03/27/03
33	34	03/27/03
34	35	03/27/03
35	36	03/27/03
36	37	03/27/03
37	38	03/27/03
38	39	03/27/03
39	40	03/27/03
40	41	03/27/03
41	42	03/27/03
42	43	03/27/03
43	44	03/27/03
44	45	03/27/03
45	46	03/27/03
46	47	03/27/03
47	48	03/27/03
48	49	03/27/03
49	50	03/27/03
50	51	03/27/03
51	52	03/27/03
52	53	03/27/03
53	54	03/27/03
54	55	03/27/03
55	56	03/27/03
56	57	03/27/03
57	58	03/27/03
58	59	03/27/03
59	60	03/27/03
60	61	03/27/03
61	62	03/27/03
62	63	03/27/03
63	64	03/27/03
64	65	03/27/03
65	66	03/27/03
66	67	03/27/03
67	68	03/27/03
68	69	03/27/03
69	70	03/27/03
70	71	03/27/03
71	72	03/27/03
72	73	03/27/03
73	74	03/27/03
74	75	03/27/03
75	76	03/27/03
76	77	03/27/03
77	78	03/27/03
78	79	03/27/03
79	80	03/27/03
80	81	03/27/03
81	82	03/27/03
82	83	03/27/03
83	84	03/27/03
84	85	03/27/03
85	86	03/27/03
86	87	03/27/03
87	88	03/27/03
88	89	03/27/03
89	90	03/27/03
90	91	03/27/03
91	92	03/27/03
92	93	03/27/03
93	94	03/27/03
94	95	03/27/03
95	96	03/27/03
96	97	03/27/03
97	98	03/27/03
98	99	03/27/03
99	100	03/27/03



10862 47th Avenue West
 Tukwila, WA 98175-2898

PANE
 MSTR STEREO IN/PWR HC 6

SHEET 3 OF 3
 106674