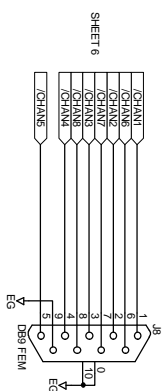
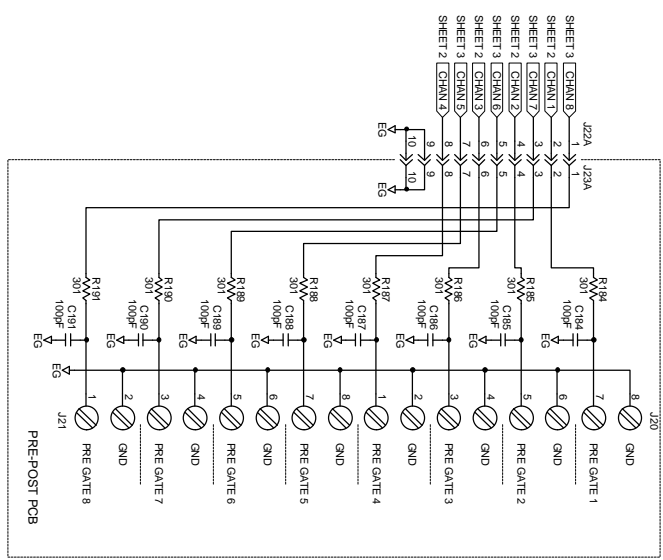
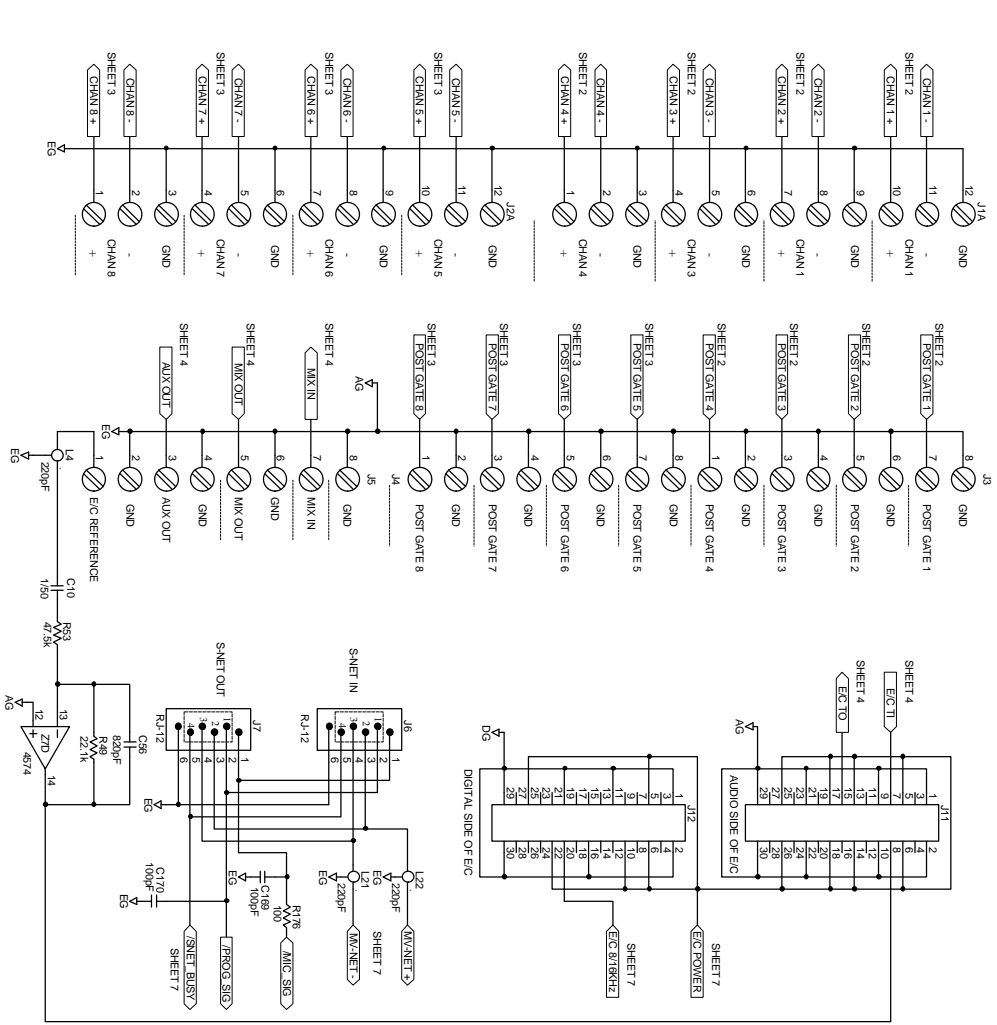


Rane Corp. (425)355-6000  
 102480 DES: MAIN/PRE-GATE ECM 82  
 ACTION: NEW PRODUCT SKH 21APR99



CHANNELS 1-4 102731.2.SCH CHANNELS 5-8 102731.3.SCH EC, MIX & AUX OUT 102731.4.SCH AVG AMPS C1-C8 102731.5.SCH STATUS, LATCH & IN DISPLAY 102731.6.SCH SLAVE PROCESSOR 102731.7.SCH POWER SUPPLY V 102731.8.SCH

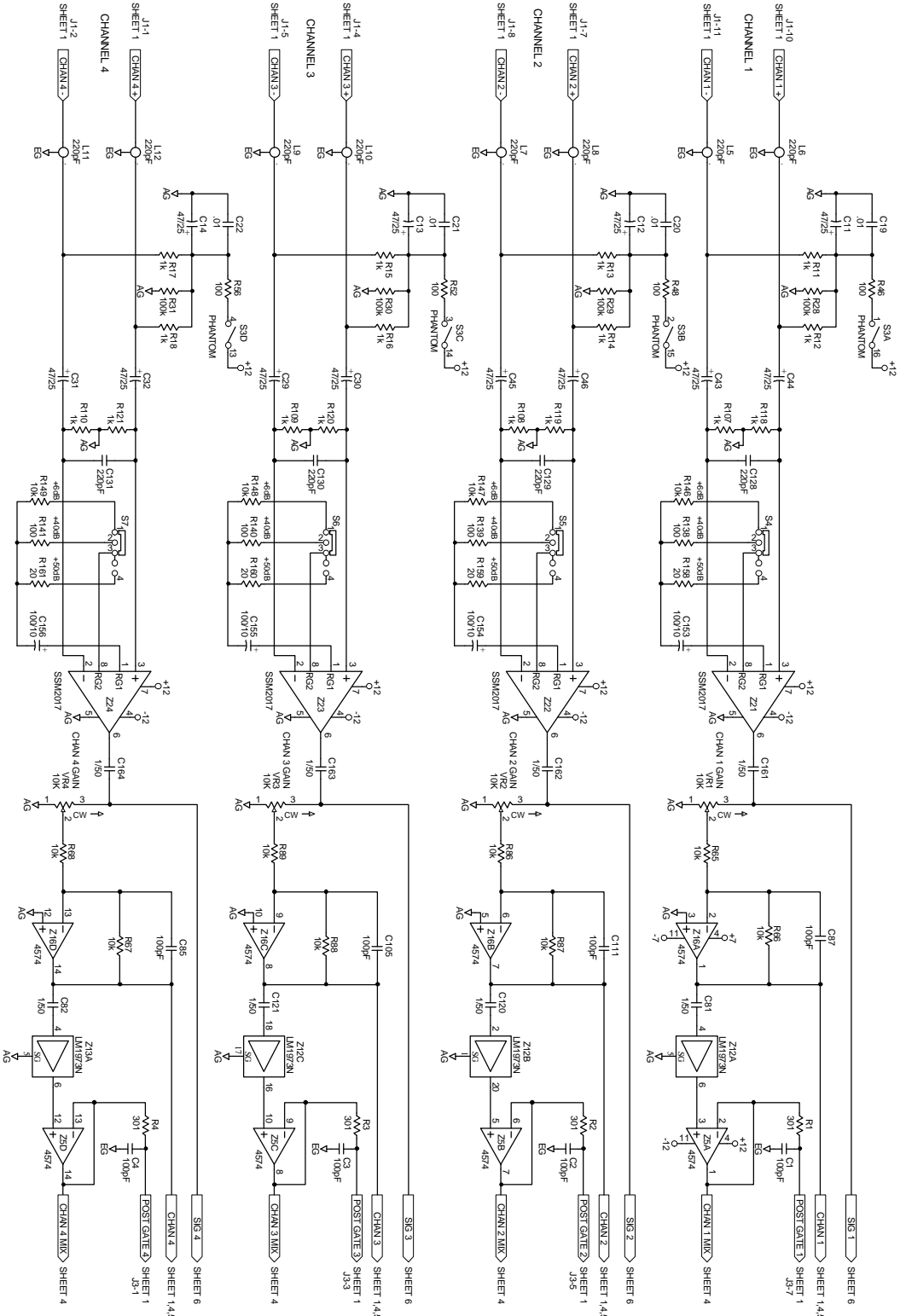
102731.1.SCH 21-May-1999



ACTED BY: [Signature] DATE: 10/27/1999  
 DRAWN BY: [Signature] DATE: 10/27/1999  
 CHECKED BY: [Signature] DATE: 10/27/1999

**RANE**  
 15000 W. WILSON BLVD.  
 MURFREESBORO, TN 37132-5098  
 (615) 892-7500  
 FAX: (615) 892-7501  
 WWW.RANE.COM

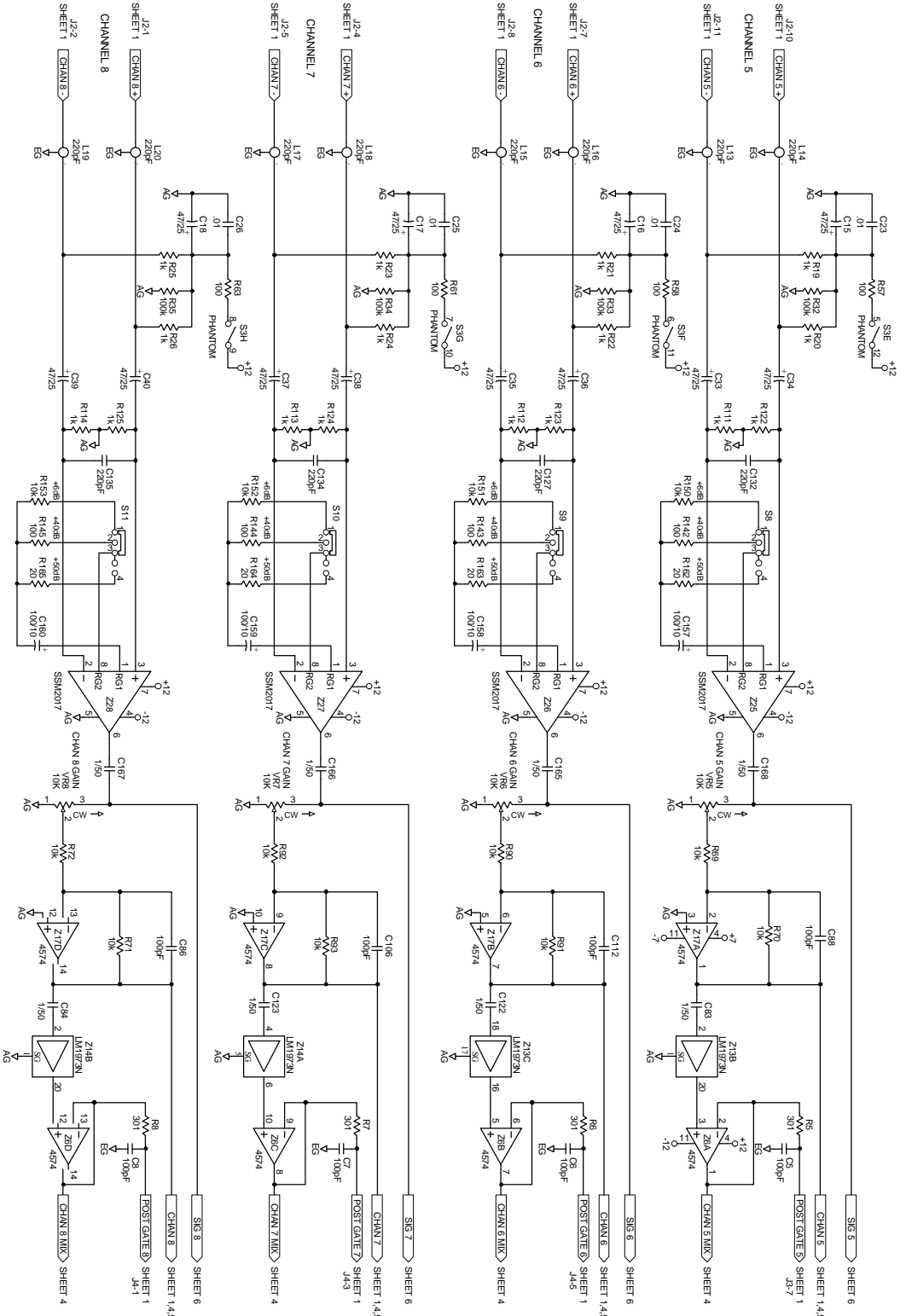
**CONNECTOR SHEET ECM 82**  
 SHEET 1 OF 8 102731



ACTION: DERIVED FROM 102111 & 102476  
 8147250 CAPS WERE 201E NEW MODEL NAME  
 DRAWN BY: JLS  
 CHECKED BY: EHS



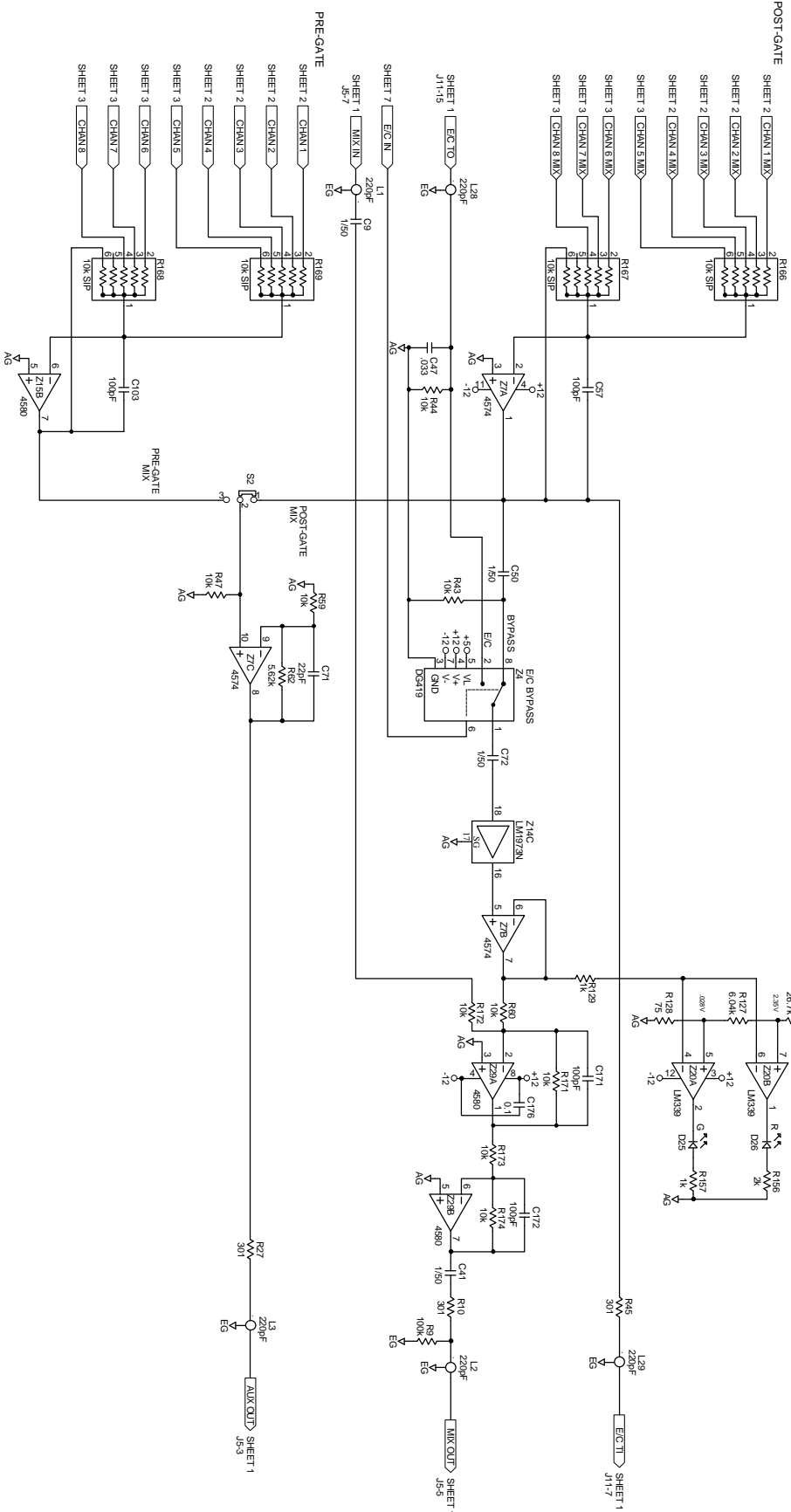
CHANNELS 1-4 ECM 82  
 2 of 8 102731



ACTION: DERIVED FROM 1021118.002731  
 DRAWN BY: ZS&ZT/WEBE/TOL/SMZ/AMV/99  
 CHECKED BY: EHS



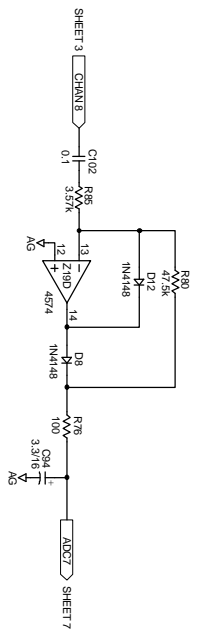
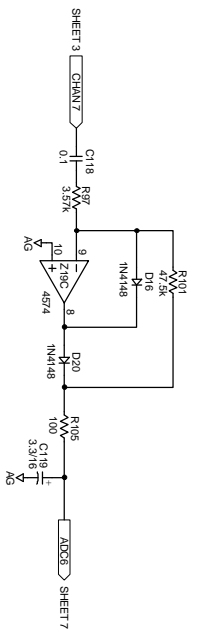
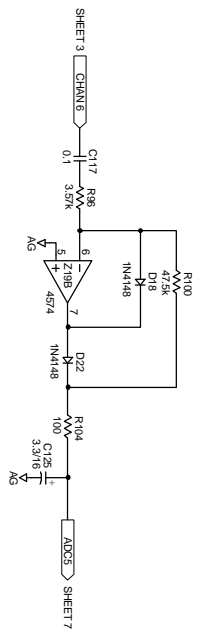
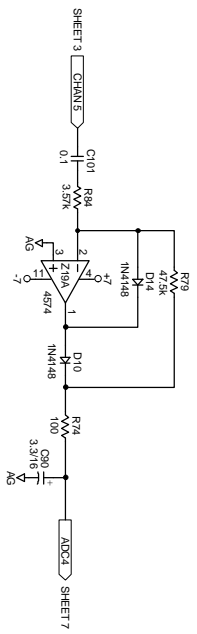
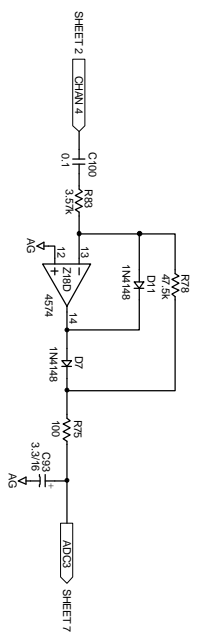
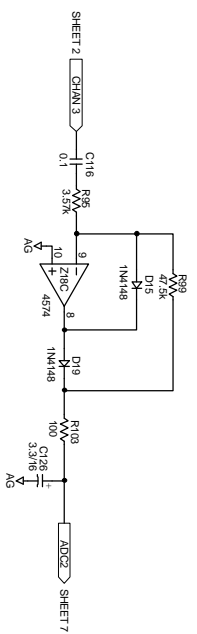
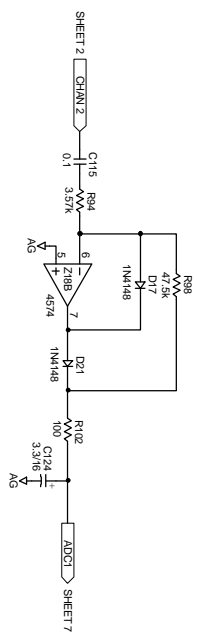
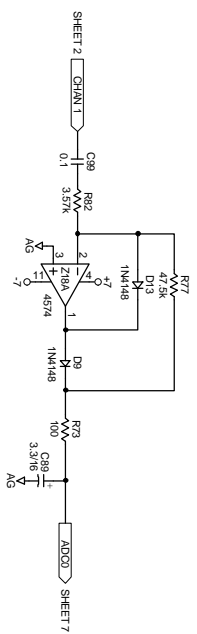
102731.3  
 CHANNELS 5-8 ECM 82  
 3 of 8 102731



11/ECM82/102731-4 SCH 21-MAY-1999



ACTION: DERIVED FROM 102731 & 102732		<b>EC/MIX &amp; AUX OUT ECM 82</b>
DRAWN BY: ZP WASTULA		
ADDRESS: 27 WILSTUTA, MIDDLETOWN VA 22675-5098		<b>EC/MIX &amp; AUX OUT ECM 82</b>
CHECKED BY: EHS		



11/ECM2102731.5.SCH

21MAR1999

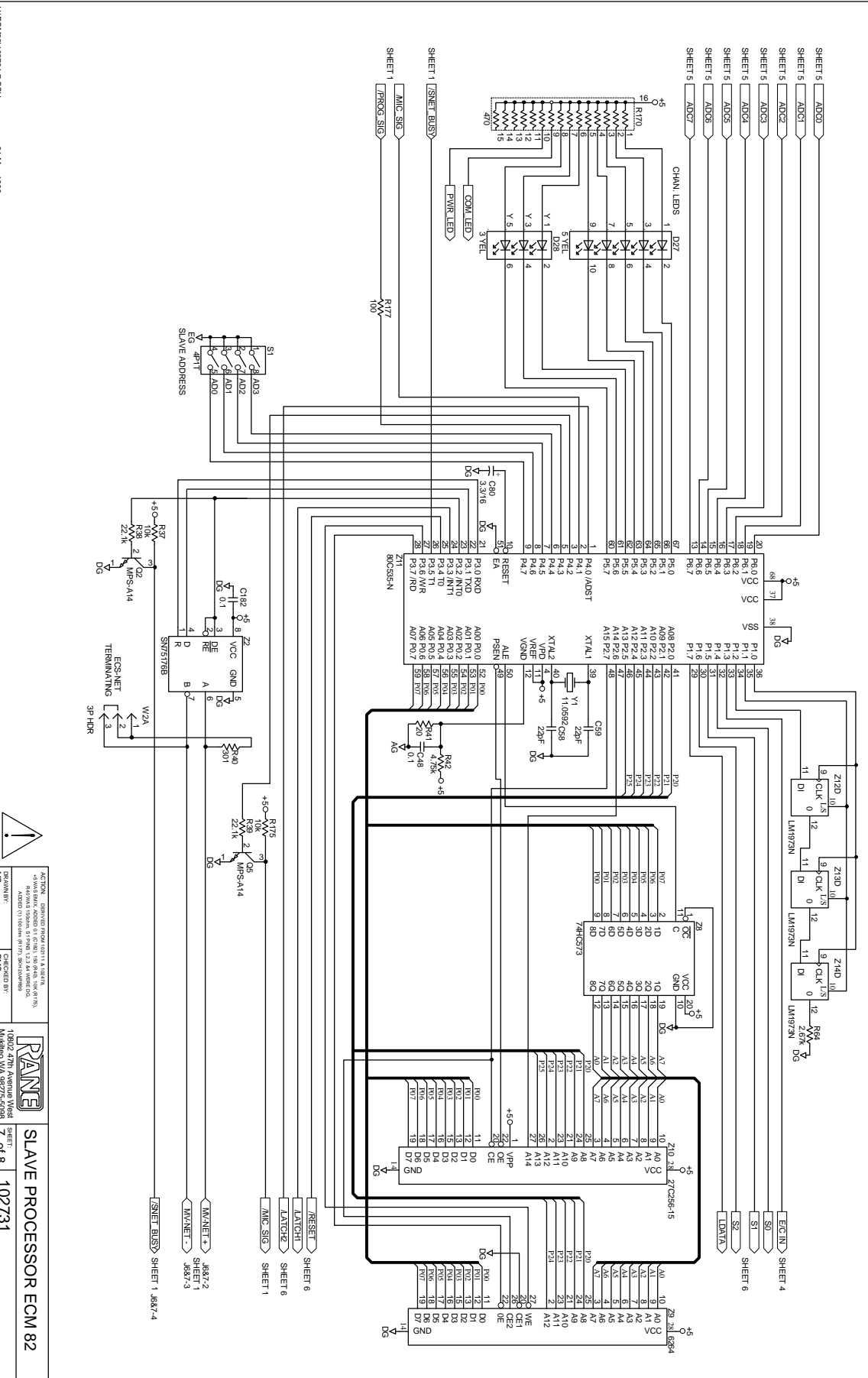


ACTION:	DESIGNED BY:	DESIGNED DATE:
DESIGNED BY:	CHECKED BY:	ENS



AVG AMPS C1-C8 ECM 82  
 SHEET 5 OF 8  
 102731





ACTION: DERIVED FROM 102731-A AND 102731-B  
 REVISIONS FROM 01 TO 08 BY: JMB/STB  
 DRAWN BY: JMB/STB  
 CHECKED BY: JMB/STB  
 102731-01  
 7 of 8  
 102731  
 SLAVE PROCESSOR ECM 82  
 SHEET 1 OF 8  
 102731



SHEET 1 OF 8  
 102731



