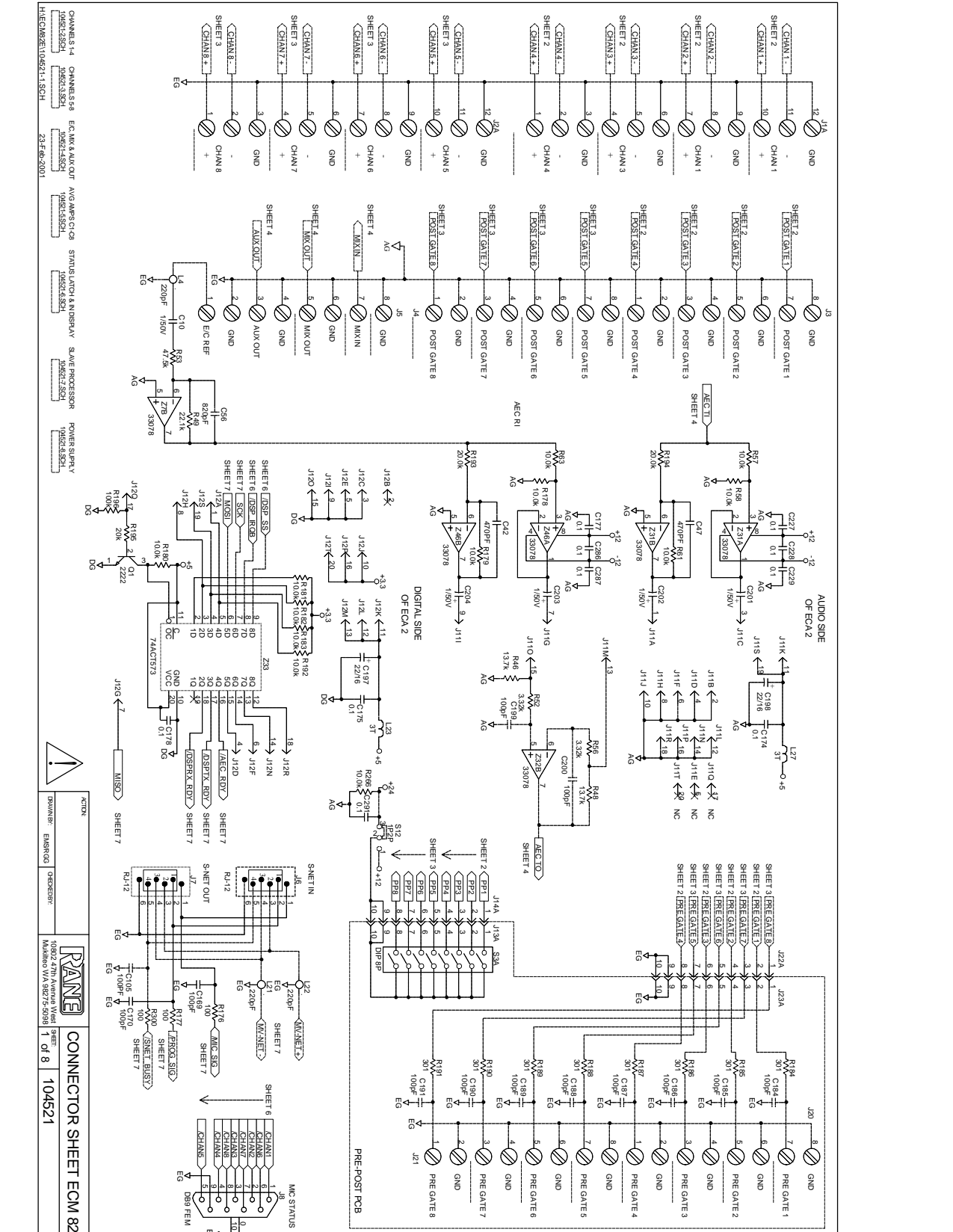


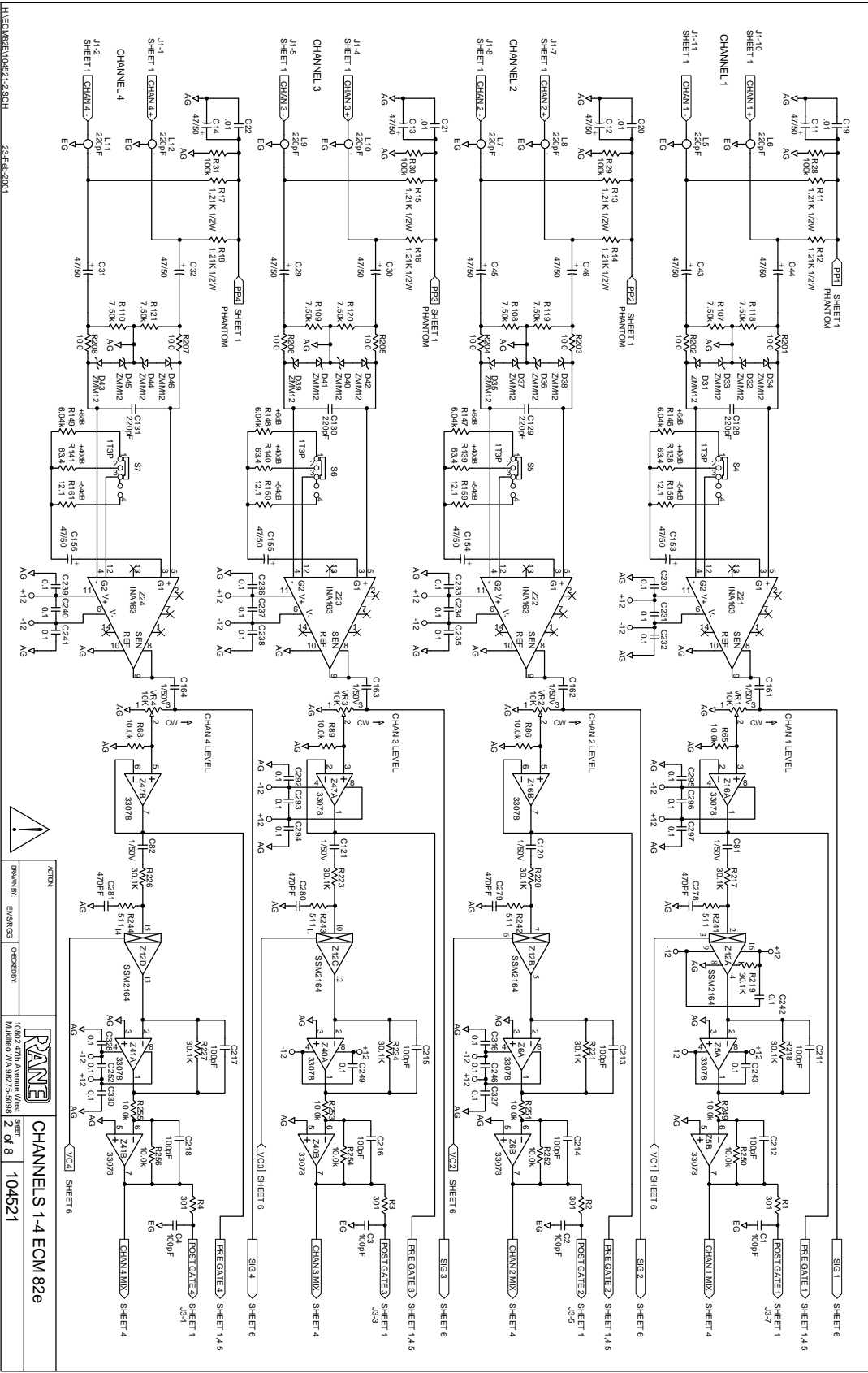
Rane Corp. (425)355-6000
 104527 DES: MAIN/PRE-GATE ECM 82e
 ACTION: NEW LAYOUT RJJ 17JAN01



CHANNELS S.14 CHANNELS S.6 FC MK X AUX OF ANG AMP C.28 STABLE LATCH AND PWR V SAVE PROCESSOR POWER SUPPLY
 104521.SSCH 104521.SSCH 104521.SSCH 104521.SSCH 104521.SSCH 104521.SSCH
 H1E C0828Z1104521-1.SCH 23.FRM-2001

ACTION: DRAWING: ENDS: CHECKED:

RANE 10802 47th Avenue West, Suite 101, Boulder, CO 80503
 104521 CONNECTOR SHEET ECM 826
 NUMBER VIA SERIAL 1 OF 8

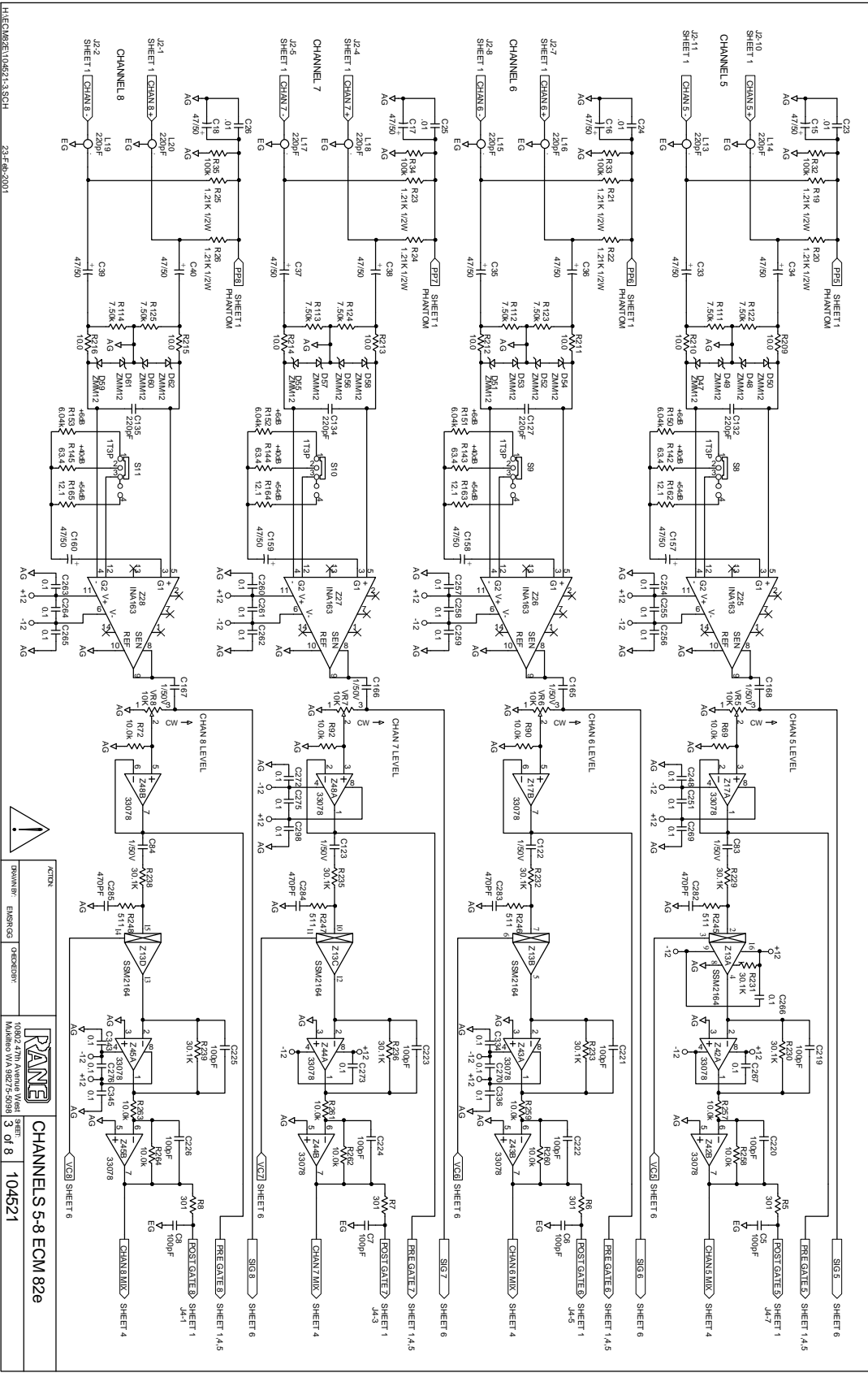


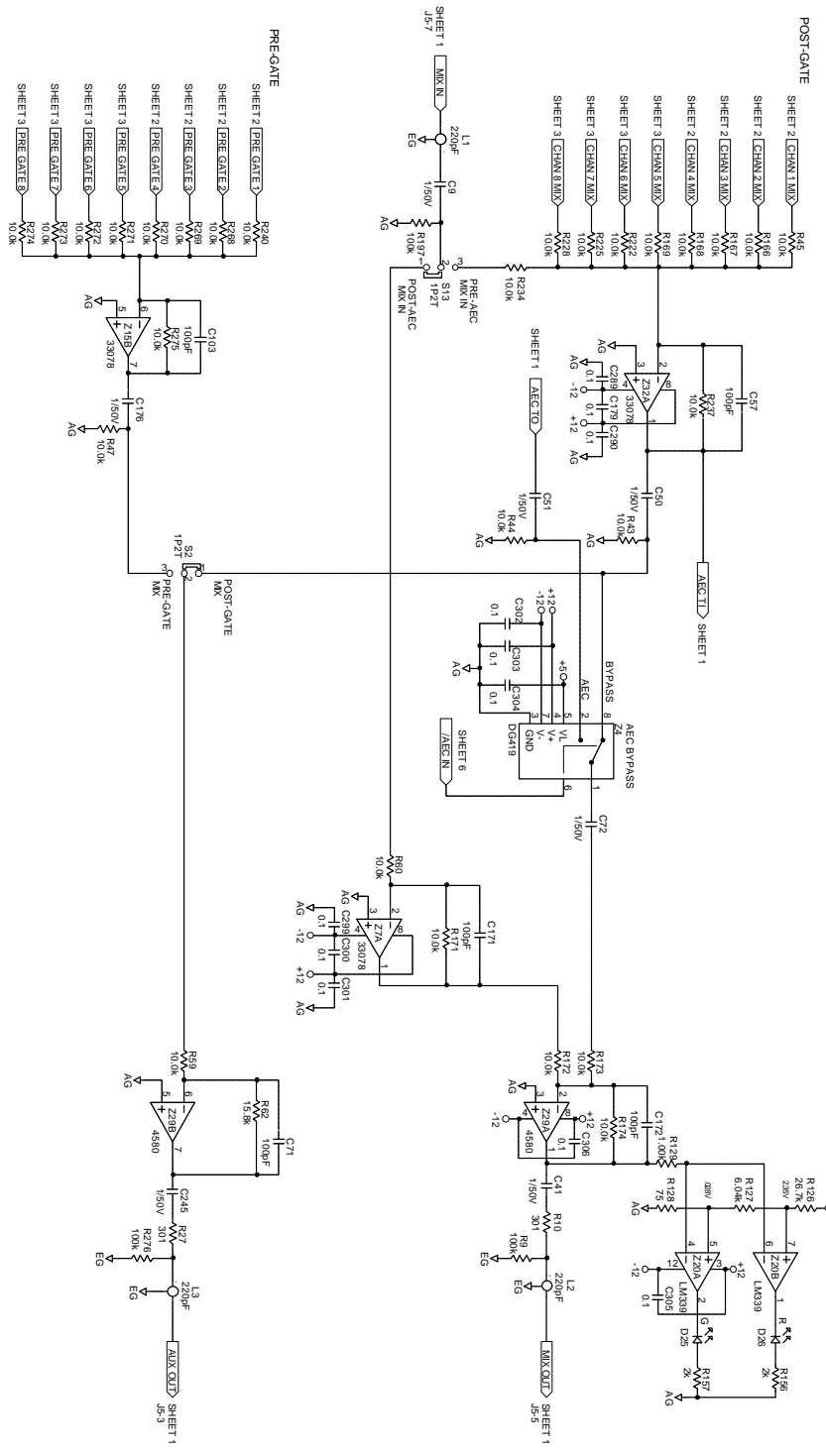
FUNCTION TRANSMIT / EMERGENCY / CHECKER

RAWE 10892 77th Avenue West
Mankato, MN 56001-5898

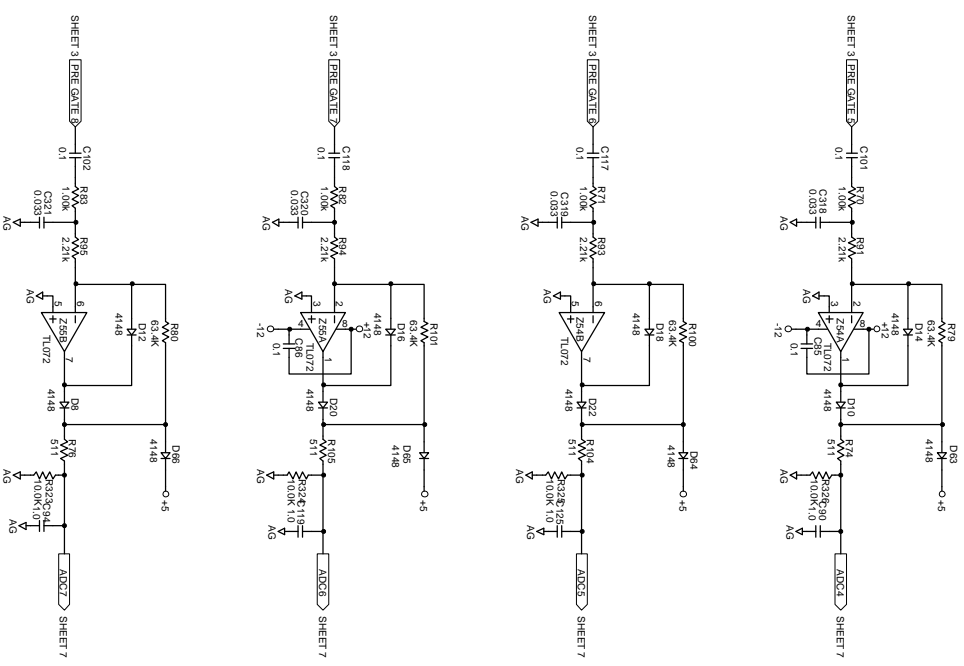
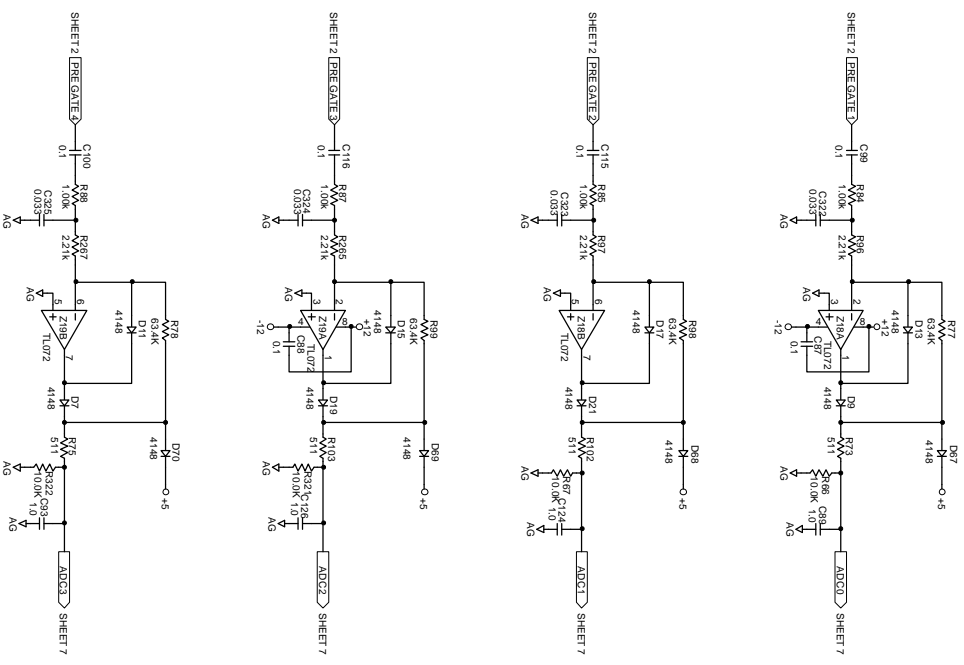
CHANNELS 1-4 ECM 82e

SHEET 2 of 8 104521

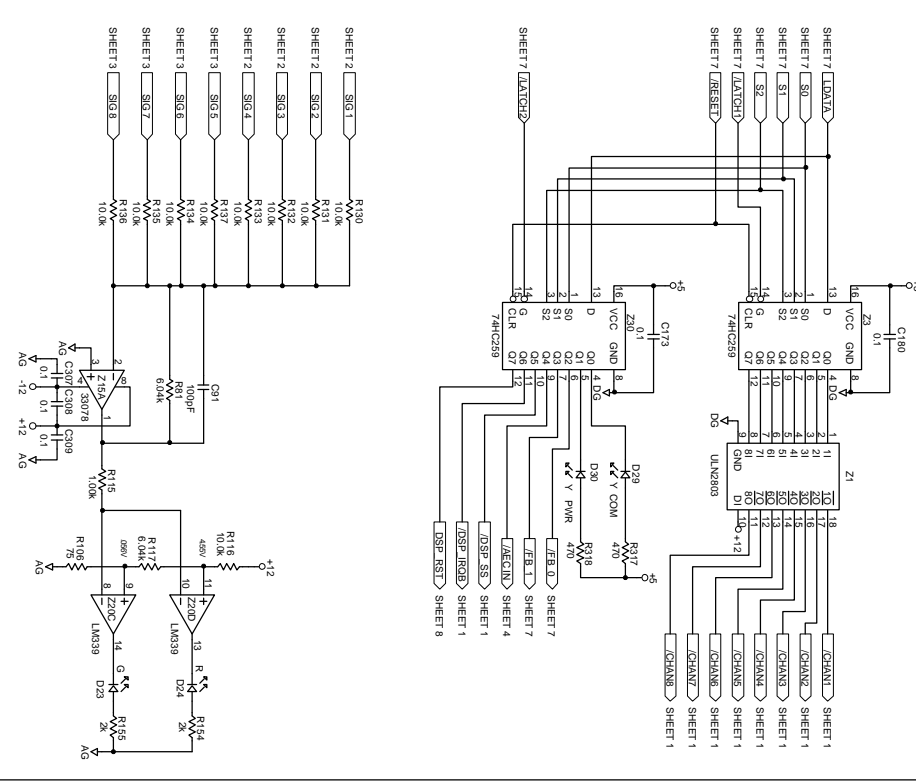
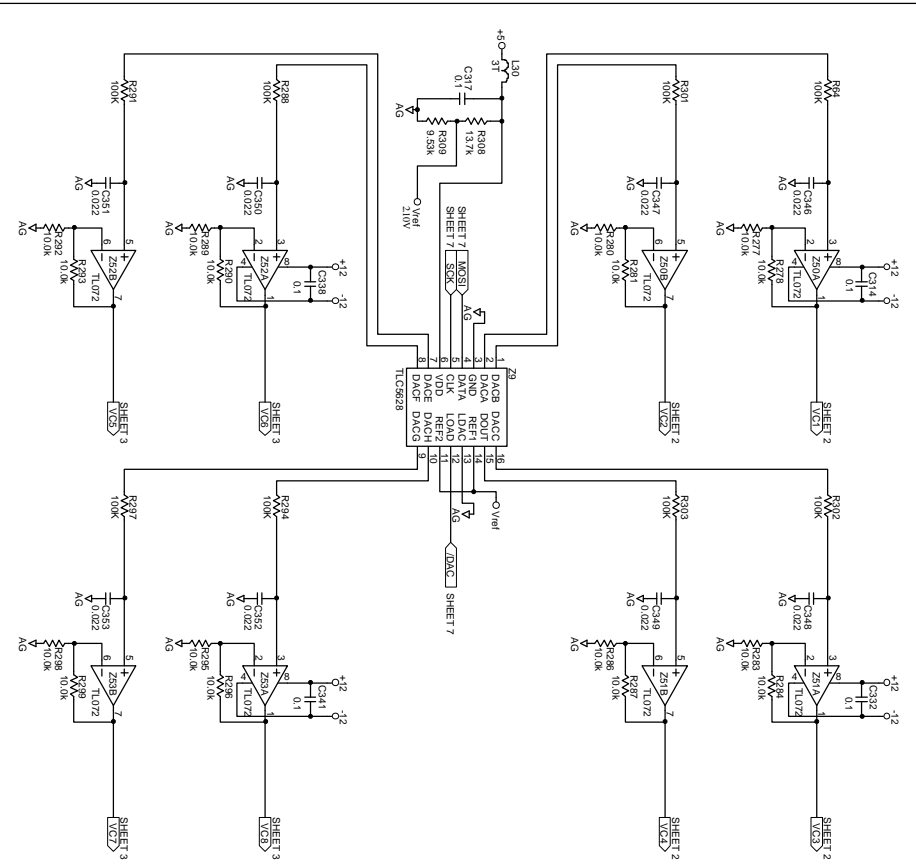




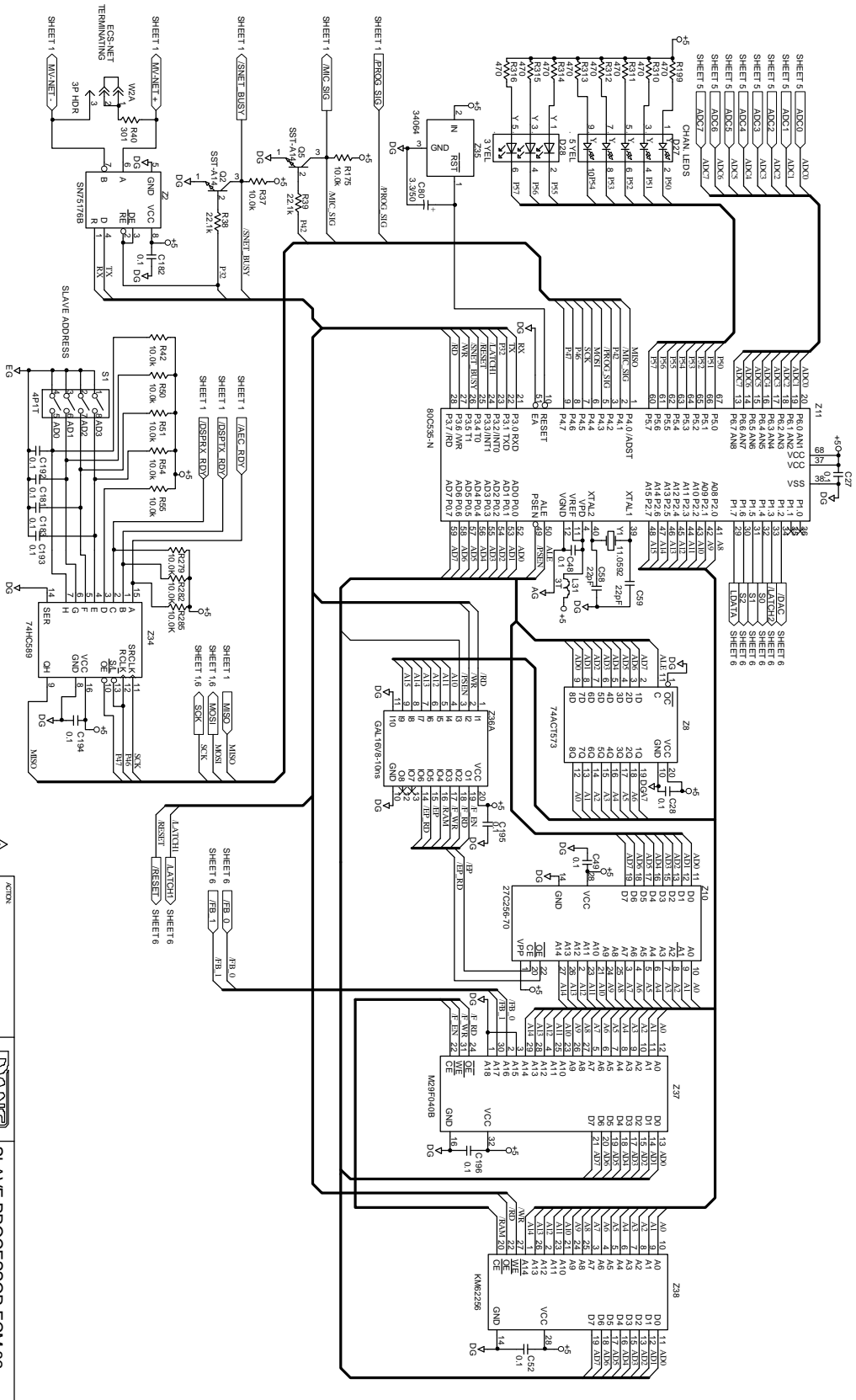
ACTION	REVISION
AWANISH	EMERSON
CREATED	
RANE	AEC, MIX & AUX OUT ECM 82e
10802 47th Avenue West Nashville TN 37215-9381	SHEET 4 OF 8
	104521



ACTION		DRAWN BY: ENRSCS		CHECKED BY:				PEAK DETECTORS ECM 82e	
						10802 27th Avenue West Mukwonago, WI 53091		SHEET 5 of 8 104521	

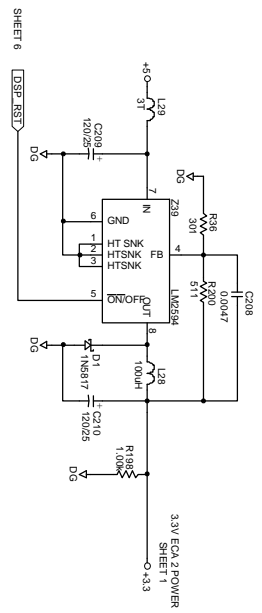
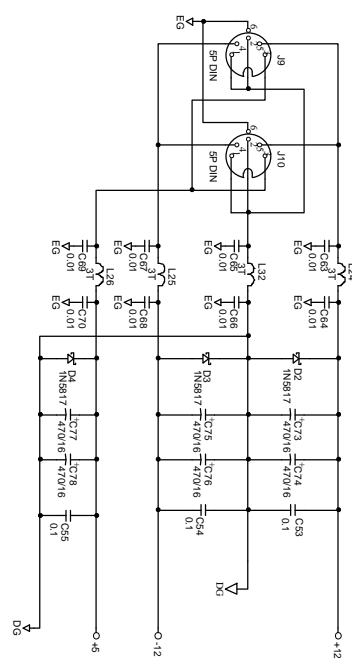


ACTION: DRAWING: ENERGYS: CHECKED:
RYANE
 10802 47th Avenue West
 Hudsons VVA SIG7P-5898 6 of 8 104521
 Veril Latch, & In SigOL ECM 82e

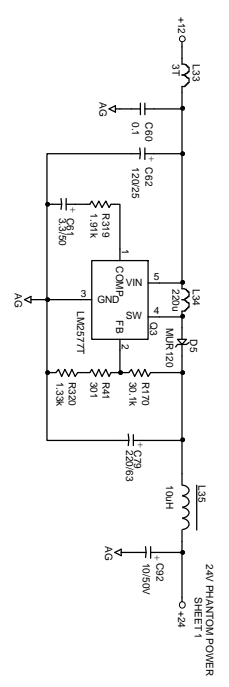


ACTION	REVISION	DATE
DESIGNED	1	23/Feb/2011
CHECKED		
APPROVED		

10082 27th Avenue West
Maple Ridge, BC V2X 2S9



- L81
- L82
- L83
- L84
- L85
- L86



ACTION		DRAWN BY: ENKINGO		CHECKED BY:	
		10802 47th Avenue West		SHEET 8 of 8	
		NUMBER: 104521-RSCH		104521	

POWER SUPPLY ECM 82e