

General Description

The DR6 is a fully customizable touchscreen remote for the HAL family. It supports multiple pages or tabs and any set of levels, toggles, selectors and/or commands. Drag, drop and resize controls any way that's desired. Use custom background images and logos in full-color on the 7-inch LC display.

Screw the included wall-mount bracket over U.S. or international electrical boxes, or flush mount the 3/4" thick DR6 with a 2" (5 cm) square hole in the wall to accommodate the cable. The optional DS1 desk stand accessory (shown) allows the DR6 to rest or mount on a horizontal surface. The optional RB2 rack bracket securely installs a DR6 into a 19" equipment rack, with provision to mount an EIA 4" loudspeaker.

The included midspan power injector (not PoE) connects shielded CAT 5e (or better) cables between any HAL and the DR6 to deliver communications and the extra power needed for the display.

Optional, on-screen User Access logins secure management pages for public or staff use, and a programmable ambient light sensor automatically dims the backlight.

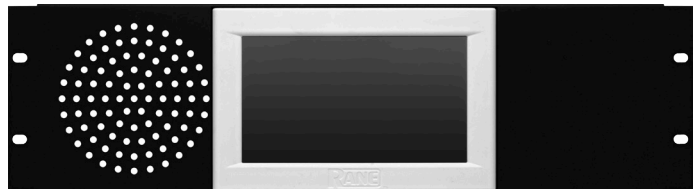
The Control Page Designer in Halogen allows you to create one set of pages and use them in a web control design, DR6 display or both.

See the HAL Installation Manual or the Halogen software Help for all DR6 instructions. Information on HAL, Halogen and peripherals is available at rane.com/hal.



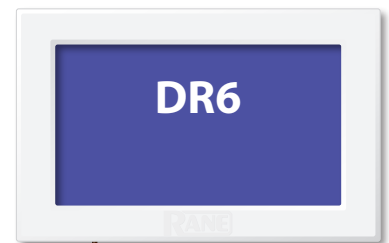
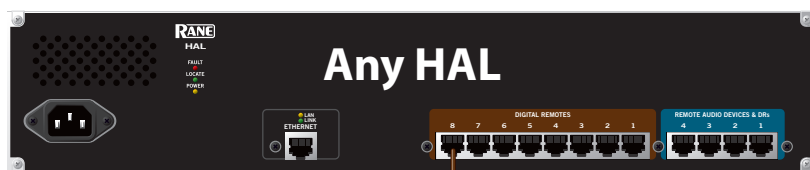
Includes surface-mounting hardware

DR6 with optional DS1 Desk Stand



DR6 with optional RB2 Rack Bracket (3U)

DR6 Wiring

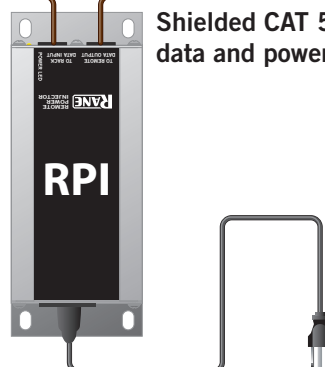


**From HAL to DR6
100 meters (325 feet) max**

Shielded CAT 5e or better data to and from the rack.

Shielded CAT 5e or better data and power to and from the remote.

The RPI can go anywhere in between.

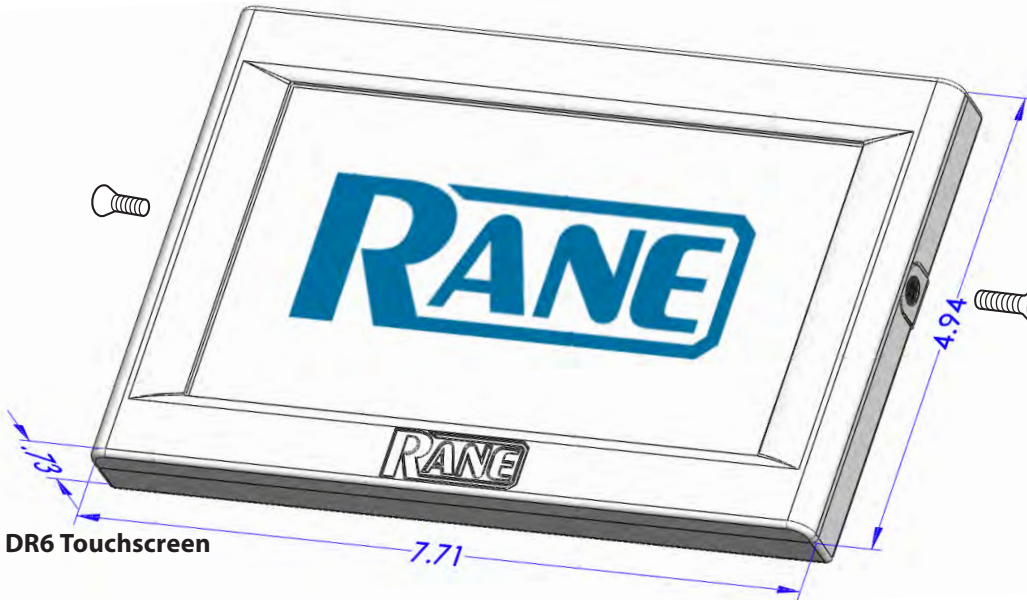


DR6

TOUCHSCREEN REMOTE

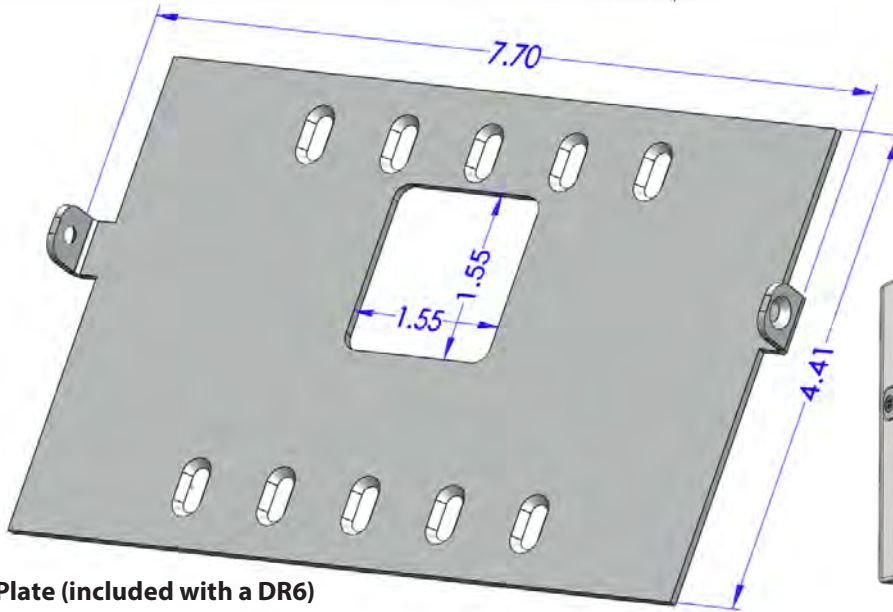


All the items on this page are included with the DR6.



Includes (2) Torx T10 screws to mount the DR6 to the Wall Plate or the DS1 Desk Stand.

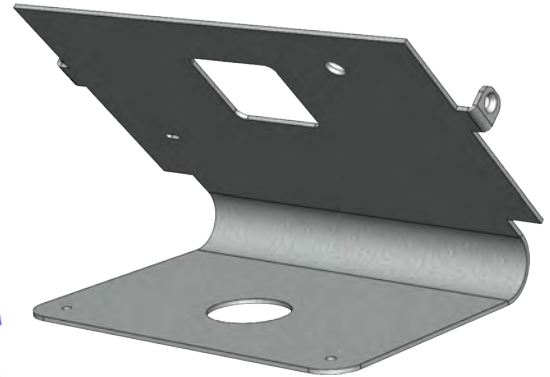
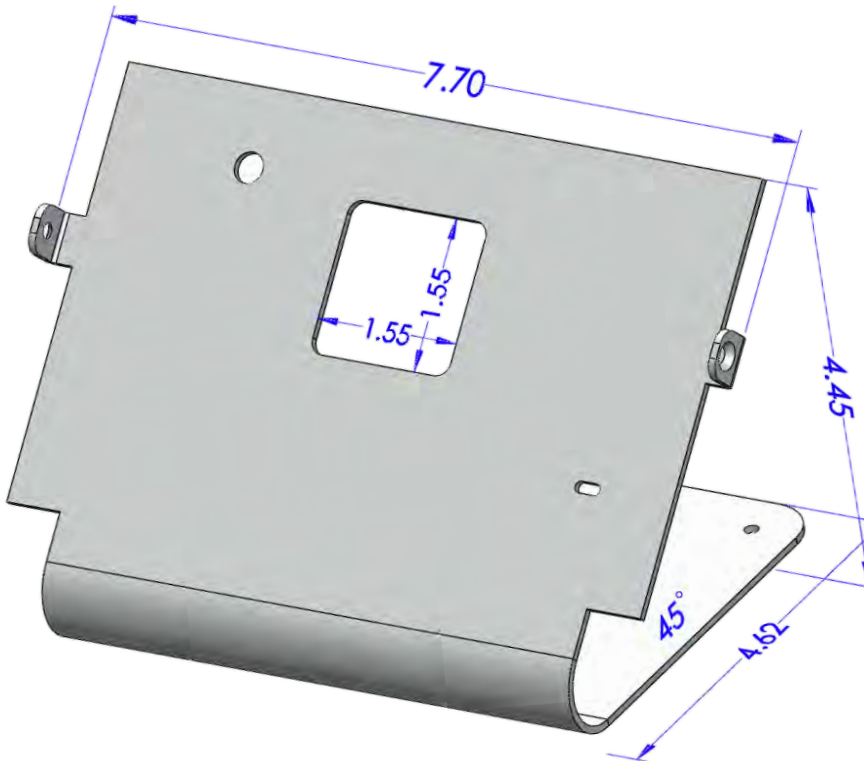
The assembled rear view showing the CAT 5 cable connection is shown below. Includes (4) #6-32x7/8" screws to attach to a 1-, 2- or 3-gang US electrical box, or to the RB1 Rack Bracket. Includes (4) #6-20x1-1/4" drywall screws with anchors to mount directly on a wall. (1.55" square hole required).



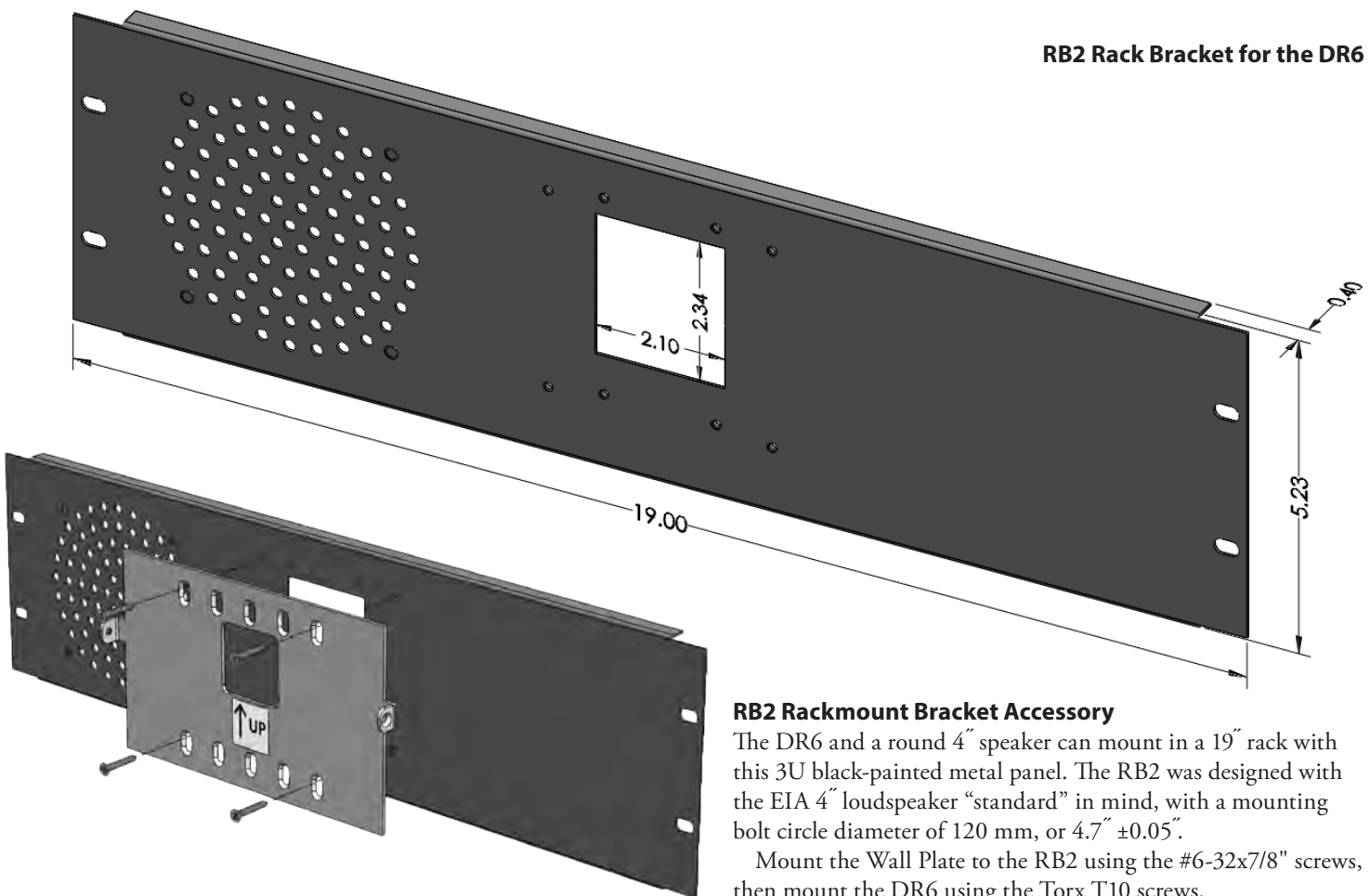
DR6 Wall Plate (included with a DR6)



RPI Remote Power Injector (included with a DR6) [not a Power-over-Ethernet injector]. IEC power cable included.

DS1 Desk Stand for the DR6

DS1 Features

- All steel, painted white.
- Rubber bottom protects the desktop.
- Kensington security hole.
- Holes in the bottom to fasten to a desktop.
- Larger hole in bottom to thread CAT 5 cable through the desktop.

RB2 Rack Bracket for the DR6

RB2 Rackmount Bracket Accessory

The DR6 and a round 4" speaker can mount in a 19" rack with this 3U black-painted metal panel. The RB2 was designed with the EIA 4" loudspeaker "standard" in mind, with a mounting bolt circle diameter of 120 mm, or 4.7" ±0.05".

Mount the Wall Plate to the RB2 using the #6-32x7/8" screws, then mount the DR6 using the Torx T10 screws.

DR6 Specifications

Parameter	Specification	Limit	Conditions/Comments
Display			
...Size	3.38" x 6"		8.6 x 15.5 cm
...Resolution	480 x 800 pixels		
...Color Depth	16-bit		131,071 colors
...Ambient Light Sensitivity	Software configurable		Adjust the sensitivity to ambient light changes.
Touch Screen			
...Size	3.42" x 6.10"		8.7 x 15.5 cm
...Type	Resistive		
Mounting Hardware			
...Included Wall Plate Size	4.41"H x 7.7"W		11.2 x 19.6 cm
...Included Mounting Screws	#6-32x1/4" Torx T10 (qty 2)		Secures DR6 to Wall Plate or DS1 desk stand
...Included Wall Screws	#6-20x1-1/4" (qty 4)		Drywall / cement anchors included
...Included Electrical Box Screws	#6-32x7/8" (qty 4)		Used to mount Wall Plate to an electrical box or RB1
RPI Remote Power Injector (included)			
Data Input Port	To a DR Port on a HAL		RJ-45 connector
Data Output Port	To the DR6		RJ-45 connector
...Power	24 VDC @ 550 mA	max	
...HAL to RPI to DR6 Distance	100 meters / 325 feet total	max	Shielded CAT 5e cable or better (see diagram)
Power Requirement	100 to 240 VAC		50/60 Hz, 18 W max
Wiring	Class 2		All RJ-45 connectors
Ambient Room Temperature	104 °F / 40 °C		Maximum external loading
RPI Unit: Size	1.78"H x 6.9"W x 2.79"D		4.6 x 17.6 x 7 cm
... Weight	14.1 oz		400 g
DR6 Unit			
...Conformity	CE, FCC, cCSAus		
...Size	5.0"H x 7.7"W x 0.76"D		12.6 x 19.6 x 1.9 cm
...Weight	1 lb		455 g
Shipping: Weight (DR6 with RPI)	3 lb 3 oz		1.47 g
...Size	2.2"H x 12.3"W x 10.3"D		5.6 x 31.2 x 26.2 cm
DS1 Desk Stand Accessory			
...Size	4.5"H x 7.6"W x 4.6"D		11.4 x 19.3 x 11.7 cm
...Weight	1 lb 1 oz		480 g
DS1 Shipping: Weight	1 lb 5 oz		600 g
...Size	5.4"H x 8.1"W x 6.1"D		13.7 x 20.5 x 15.5 cm
RB2 Rack Bracket Accessory			
...Size	5.2"H x 19"W x .4"D		13.2 x 48.3 x 1 cm
Speaker Mounting Bolt Circle Diameter	120 mm (4.7" inches)	±0.05"	EIA 4" loudspeaker "standard"
Mechanically compatible speakers according to their data sheets:			1. Atlas FC-104 (tested and known to fit) 2. Lowell JR410 (untested but holes are properly placed) 3. Electro-Voice 205 (untested but holes are properly placed)
...Weight	1 lb 6 oz		613 g
RB2 Shipping: Weight	2 lb 4 oz		1020 g
...Size	1.6"H x 21.5"W x 7.9"D		4 x 55 x 20 cm