

General Description

Rane Digital Remotes simplify end user control and eliminate installer brain fatigue. The DR1, DR2 and DR3 offer customizable backlit LCD screens for intuitive end user labeling. These are available in three colors to coordinate with surroundings: white, ivory or black, and include a matching Decora® plate cover.

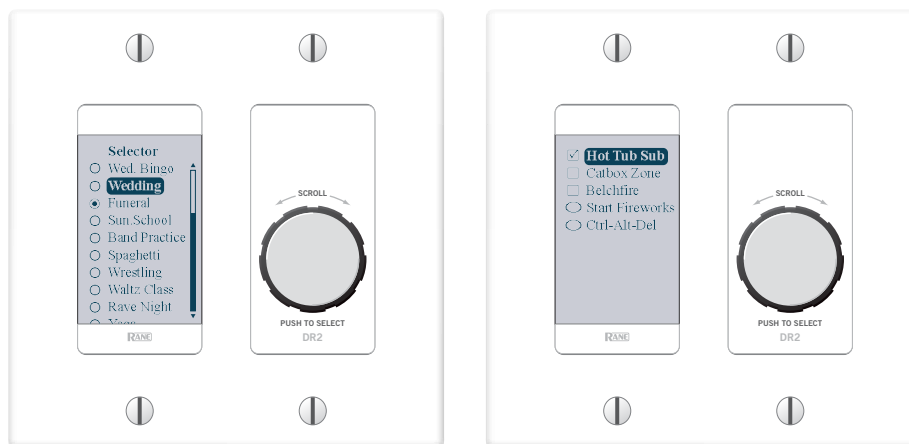
Home run shielded CAT 5e (or better) connections to a HAL or EXP eliminate addressing, external power, and the need to test the cables. The DR can be up to 300 meters (1000 feet) away from its host. It mounts in a standard two-gang U.S. electrical box.

Display screens are dynamic, automatically updating when the available options change through preset activation, room combining, and so on. Therefore, the user always sees the options that are currently available. A DR2 works well for selecting sources, presets, and room configurations. You can configure a DR2 to behave in one of two ways:

- **Single Selector:** The control acts as a selector switch that can select only one item at a time on the display screen. For example, the display might show a list of background music channels. Use the push control to select which channel to activate. This behavior is similar to a radio button in a software application (as displayed in the image below).
- **List of Toggles/Commands:** The control acts as a switch for enabling or disabling each item on the display screen. For example, the display screen might list presets and the user uses the push control to enable or disable each preset in the list. This behavior is similar to a series of checkbox items in a software application.

See the HAL Installation Manual or the Halogen software Help for complete DR2 instructions. Information on HAL, Halogen and peripherals is available at rane.com/hal.

DR2 Digital Remote



Single Selector

List of Toggles / Commands

DR2

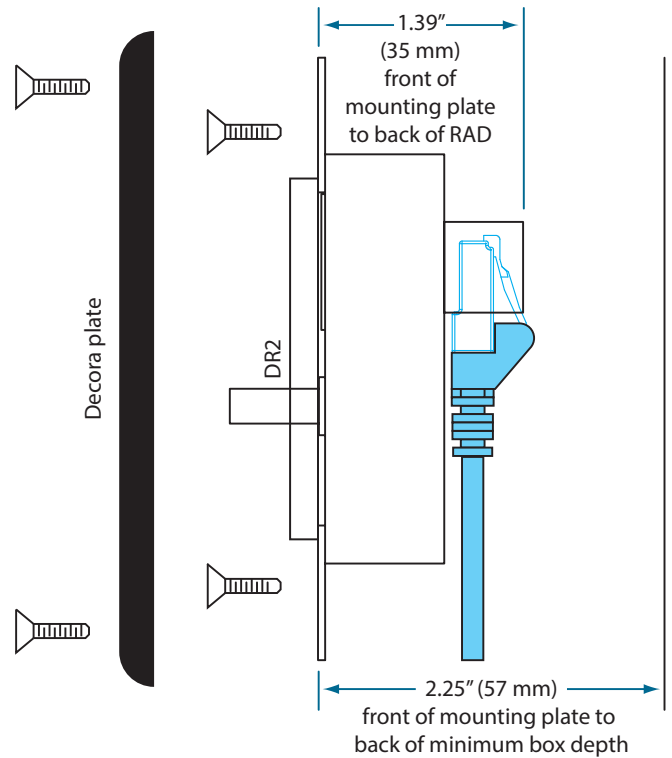
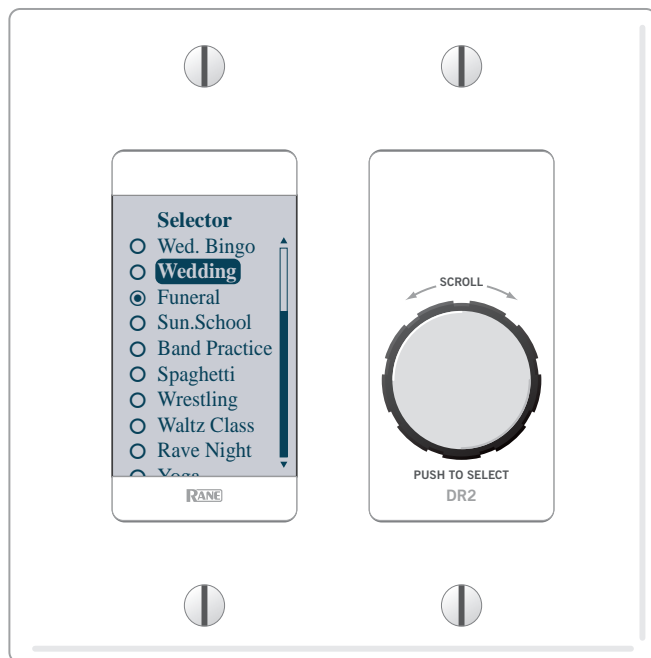
DIGITAL REMOTE

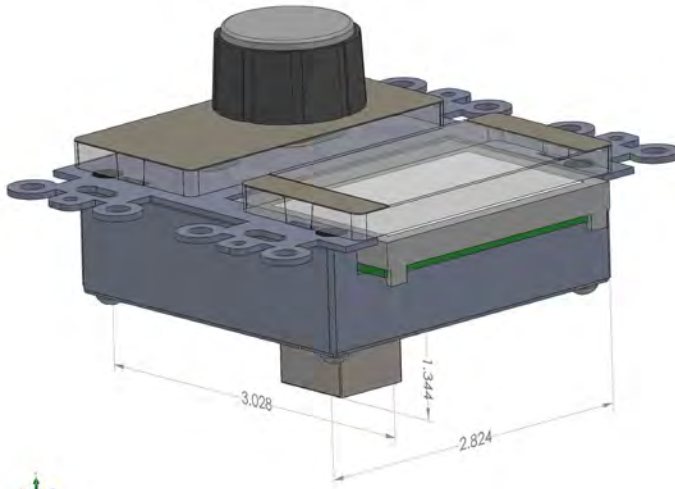


Unit Specifications

Parameter	Specification
CAT 5e Cable Length Max.	300 meters / 1000 feet
Power Requirement:	+24VDC / 50mA
Baud Rate:	115200
Unit: Conformity	CE, FCC
Unit: Size	
...cm 10.4H x 8.4W x 5.8D	5.9D including knob
...in 4.1"H x 3.3"W x 2.3"D	2.3"D including knob
Unit: Weight	166 g / 5.9 oz
Shipping: Size cm	8.4H x 24.7W x 15.2D
...Size in	3.3"H x 9.7"W x 6"D
Shipping: Weight	326 g / 11.5 oz

DR2 Side View



Dimensions


Depth is measured from the back of the mounting bracket to the rear of the CAT 5 jack.

DR2 Architects & Engineers Specification

The digital remote shall control either source or preset selection (radio buttons), or a list of checkbox toggles and commands, and be located up to 300 meters (1,000 feet) away from the rack room multiprocessor. The digital remote shall have a customizable backlit LCD screen for end user labeling of up to 20 controls with variable and automatic dimming feature for superior visibility under varying light conditions. The digital remote shall connect to and be powered by the rack room multiprocessor using a dedicated homerun shielded CAT 5e (or better) cable. Low communication data rates shall permit use of punch-down blocks or RJ-45 patch bays for homerun cable routing flexibility as well as relaxed minimum bend radius. The shielded CAT 5e interface shall transport power, ground and a communications channel. The digital remote shall support portable use and hot-swapping so that devices may be replaced without reprogramming or shutting down the system, and do so without audio interference. Within seconds, all settings for new or existing portable digital remotes shall be automatically downloaded from the multiprocessor along with the correct firmware permitting repeated hot-swapping – even between different vintage multiprocessors. The hardware-software combination shall automatically check and display the status, location, and CAT 5e crimp and wiring integrity. Hardware and software troubleshooting indicators shall point out any and all errors. The digital remote shall fit into a 2-gang US standard electrical junction box. The digital remote shall be available in white, ivory or black, and come with a matching Decora® wallplate.

The Digital Remote shall be a Rane DR2 connected to a Rane HAL multiprocessor running Rane Halogen software.

