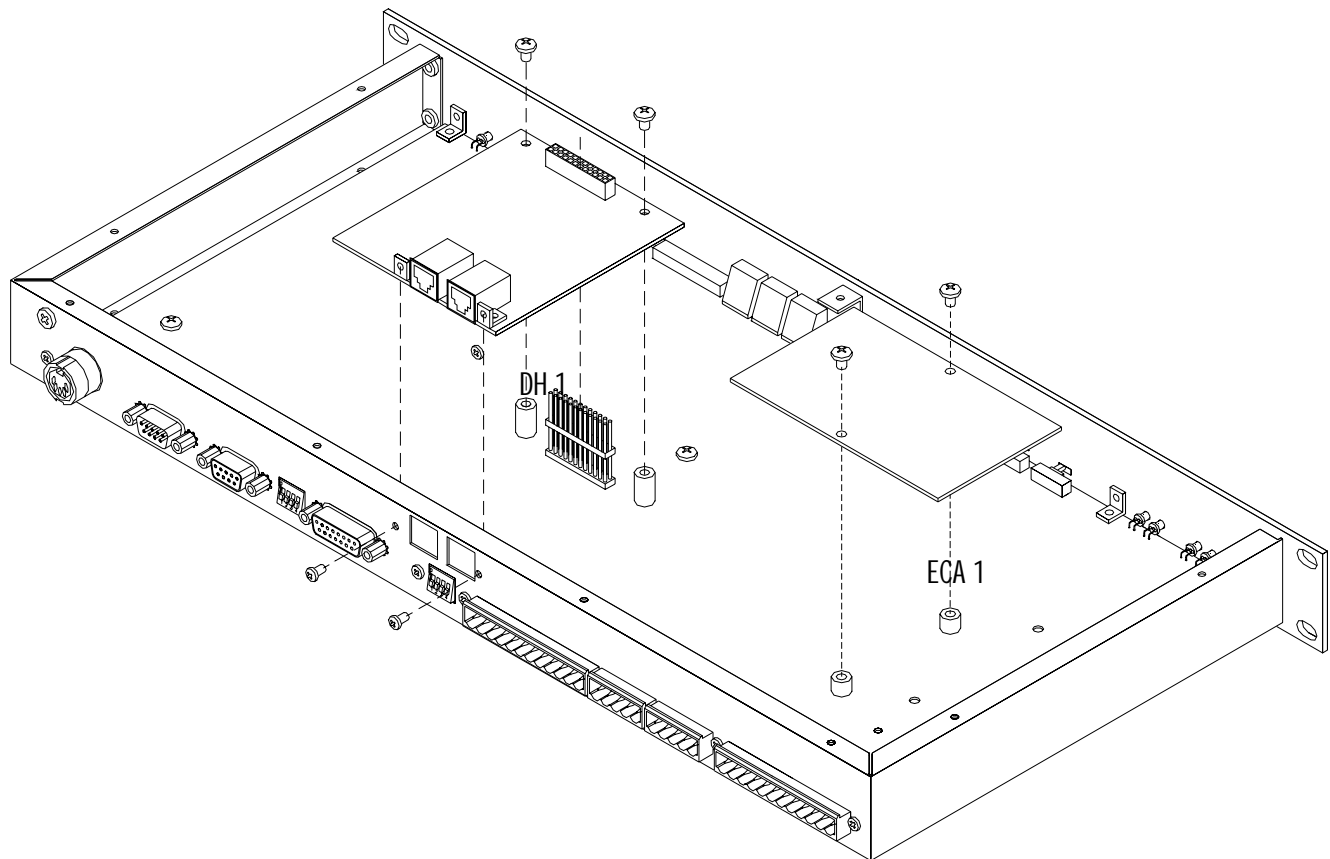


The DH 1 Digital Hybrid allows audio conferencing over a standard POTS 2-wire phone line. A 32 millisecond Line Echo Canceller is utilized to remove line echo caused by the four-wire to two-wire conversion. In a standard telephone the echo caused by this conversion is actually beneficial to the user as side-tone. With a conference system line echo can cause all types of problems including feedback and echo canceller problems.

The DH 1 installs by first temporarily removing the top cover of the ECM 64 and the rear phone jack cover on the back of the ECM 64. See the diagram on page Manual-6. Seat the DH 1 module from its bottom side onto the ECM 64 J10 header. Make certain that the header pins are properly aligned with the DH 1 before applying force to seat the card.

Warning: To protect against damage from electrostatic discharge (ESD) proper ESD control measures must be followed when installing the DH 1.



DH 1 and ECA 1 Installation