

ECM 64e Options

Two internal cards are available for the ECM 64e. The ECM 64eAD already includes both options.

ECA 2 Acoustic Echo Celler

The ECA 2 is a continually adaptive Acoustic Echo Canceller (AEC) module, required when the ECM 64e is used for audio teleconferencing.

The ECA 2 installs by temporarily removing the top cover of the ECM 64e and seating the module onto factory installed standoffs on the motherboard. The connectors on the ECA 2 and the motherboard are keyed, so there is only one direction that the ECA 2 can be installed (see below).

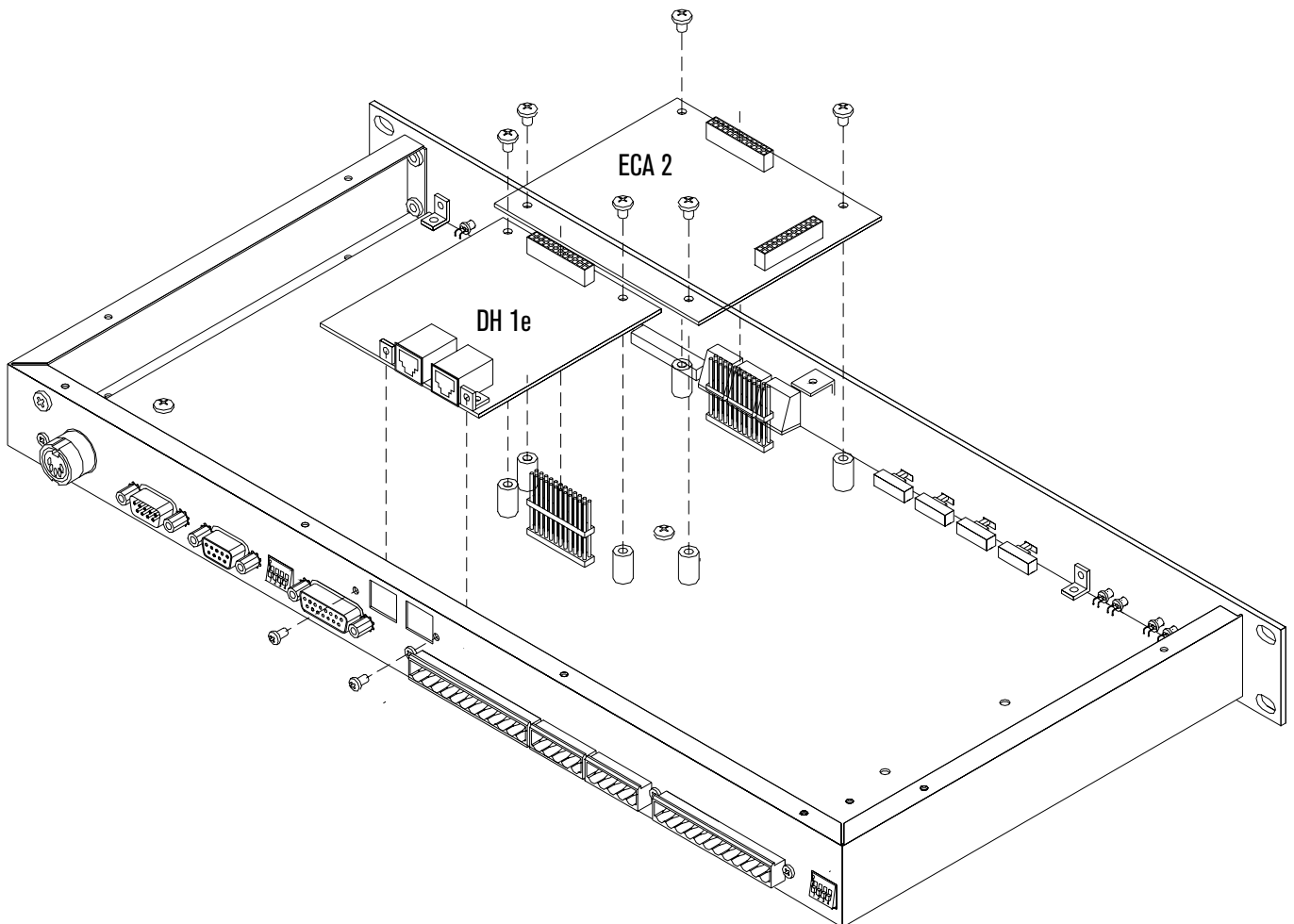
Warning: To protect against damage from electrostatic discharge (ESD) proper control measures must be followed.

See the Operators Manual, page Manual-10 for Acoustic Echo Canceller operation.

DH 1e Digital Hybrid

The DH 1e Digital Hybrid allows audio conferencing over a standard POTS 2-wire phone line. A 32 millisecond Line Echo Canceller is utilized to remove line echo caused by the four-wire to two-wire conversion. In a standard telephone the echo caused by this conversion is actually beneficial to the user as side-tone. With a conference system line echo can cause all types of problems including feedback and echo canceller problems.

The DH 1e installs by first temporarily removing the top cover of the ECM 64e and the rear phone jack cover on the back of the ECM 64e. Seat the DH 1e module from its bottom side onto the J10 header. Make certain the header pins are properly aligned with the DH 1e before applying force to seat the card. **Warning:** To protect against damage from electrostatic discharge (ESD) proper control measures must be followed.



DH 1e and ECA 2 Installation