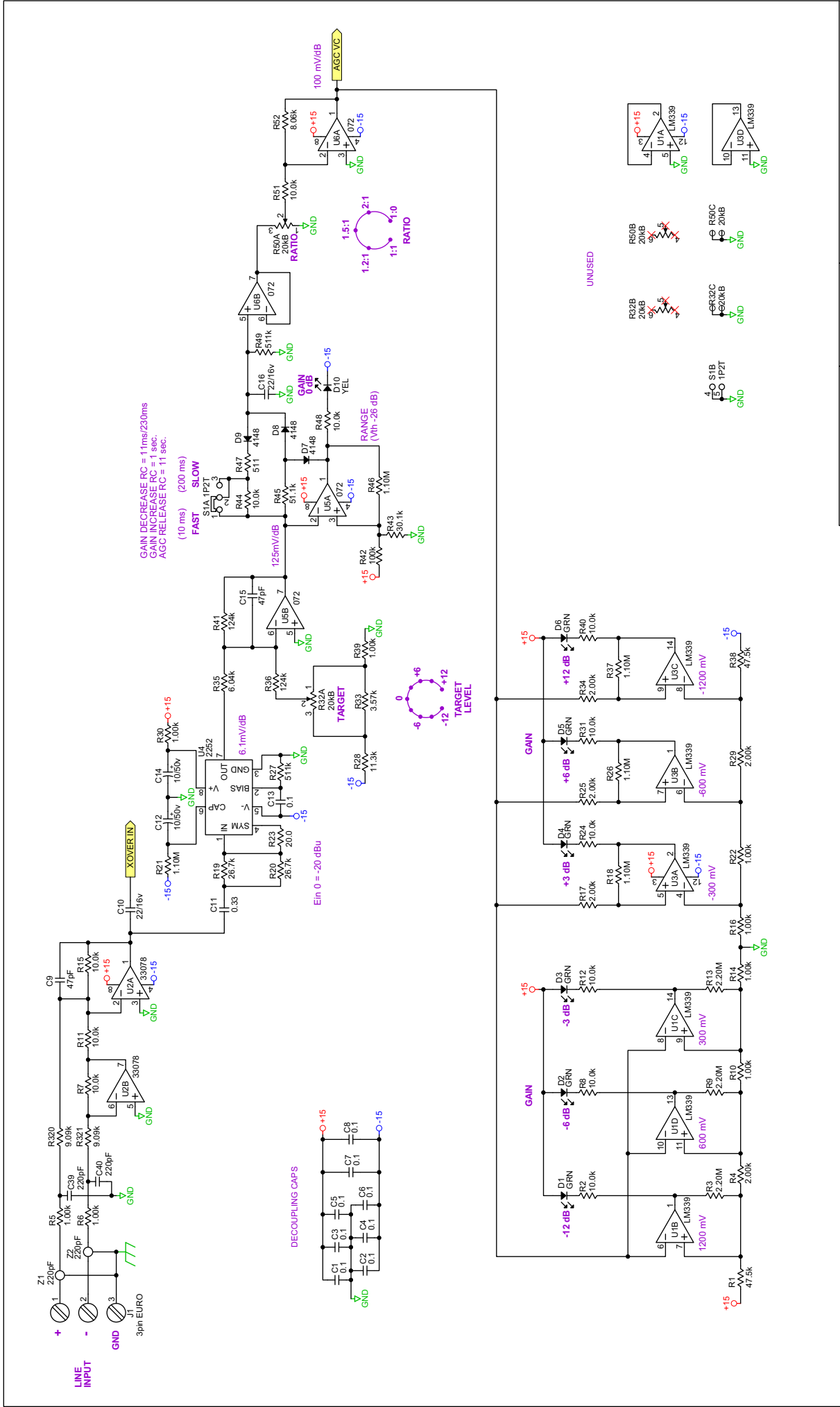


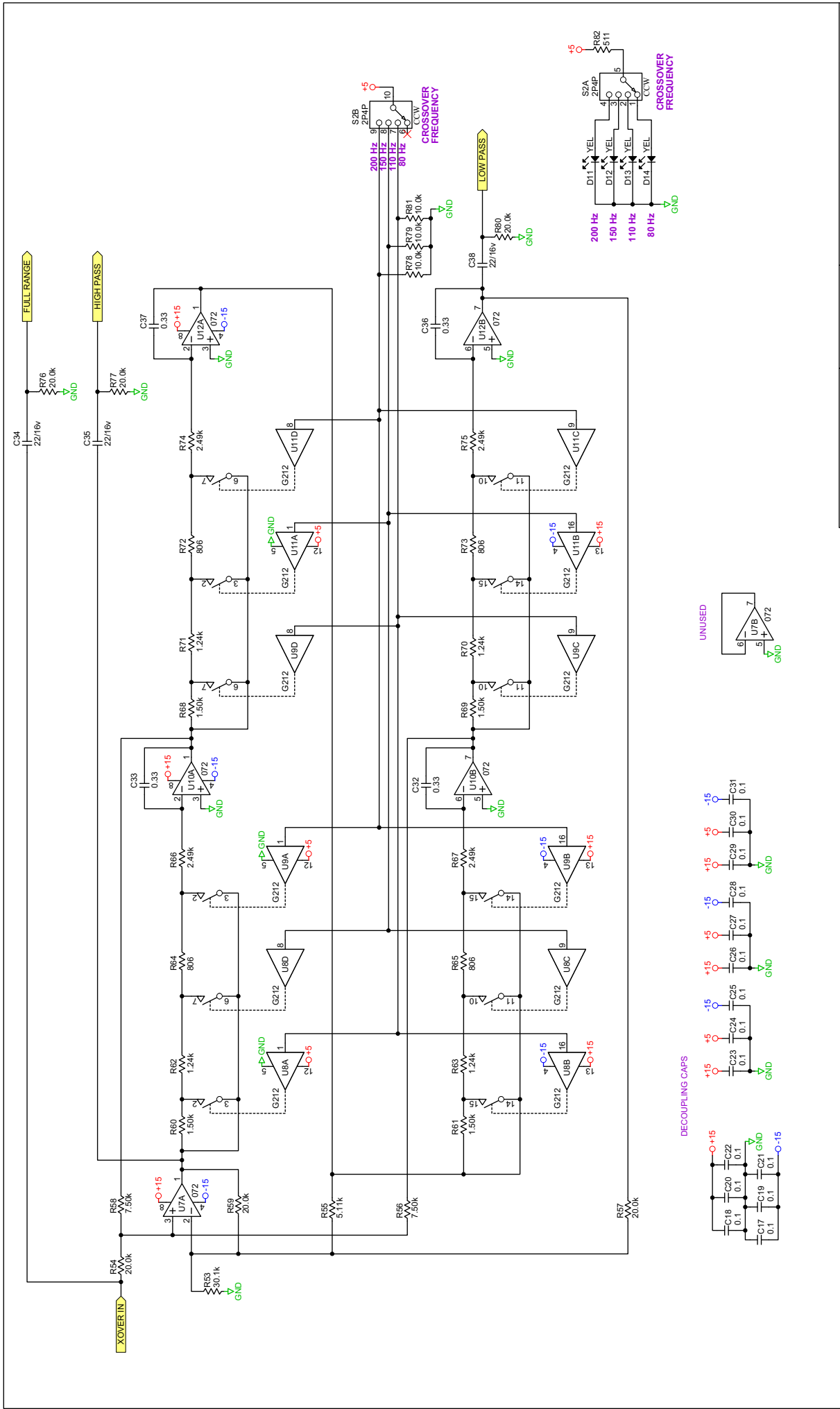
MASK THE ABOVE LEADS

MASK THIS HOLE

110556 FILM 1 OF 5 COMPONENT SIDE SILKSCREEN DA26S







RANGE

10802 47th Avenue West
Mukilteo WA 98275-5998

DA26S CROSSOVER

SHEET: **2** of **6**

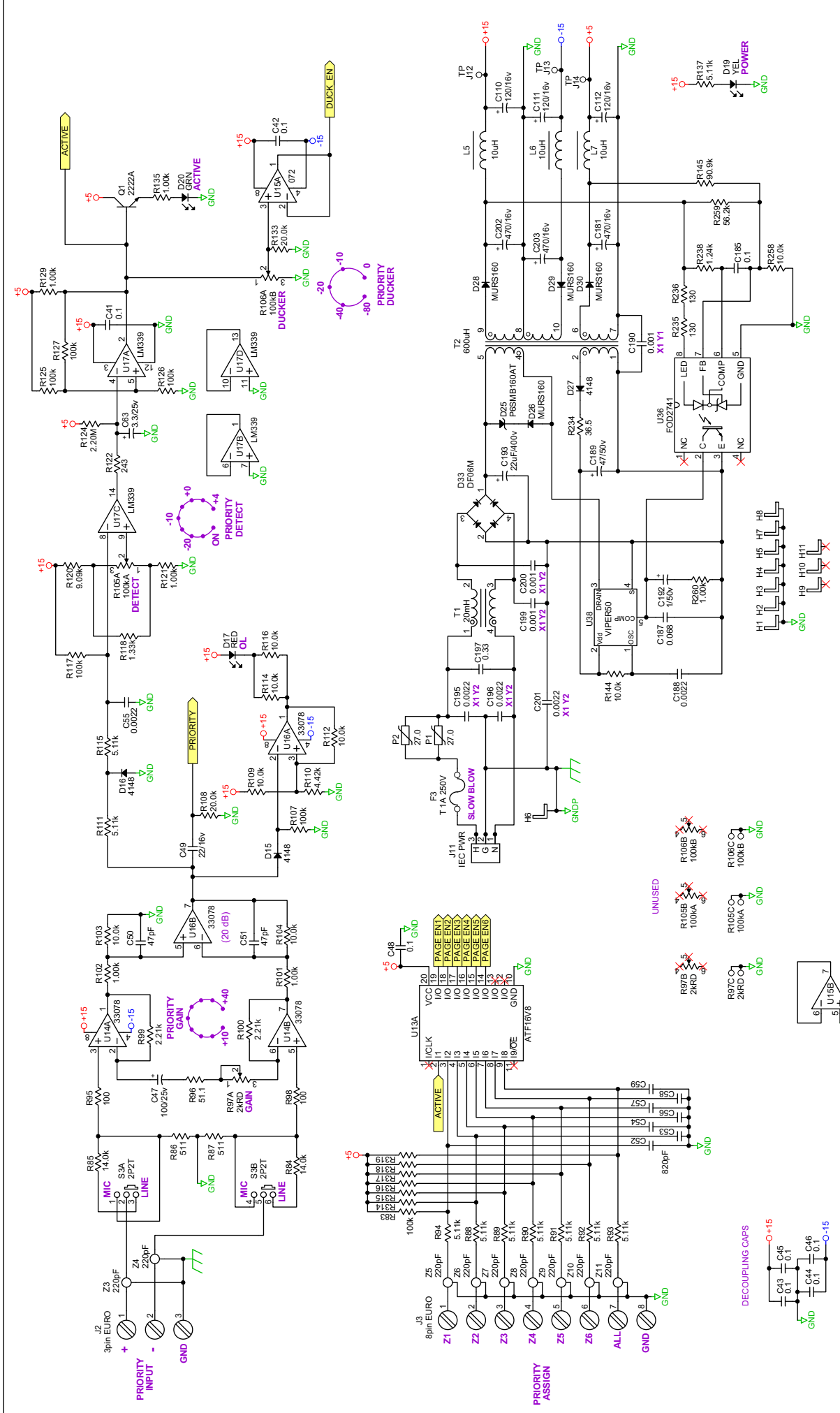
ACTION:

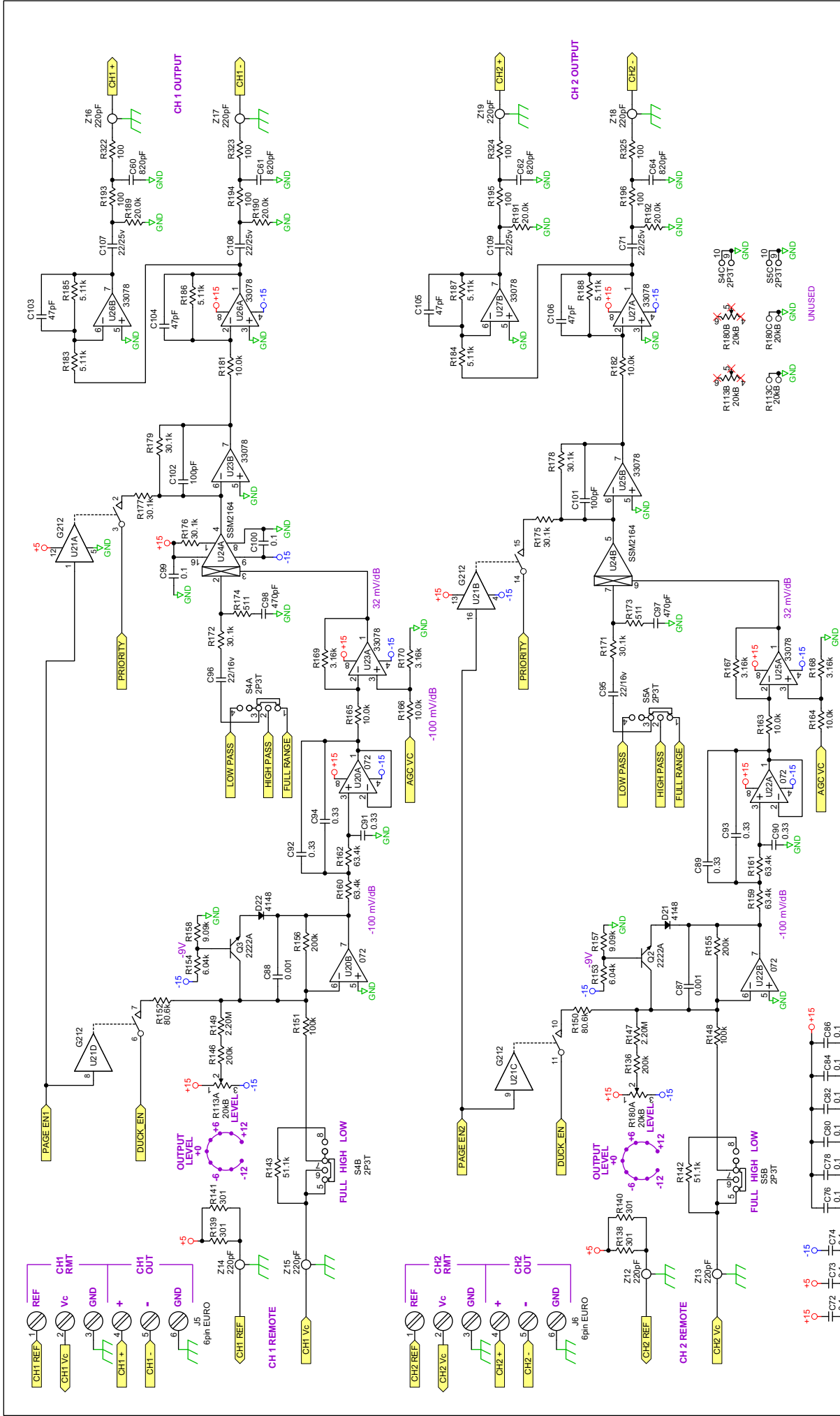
DRAWN BY: **SKH**

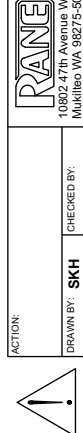
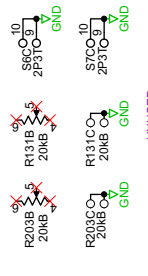
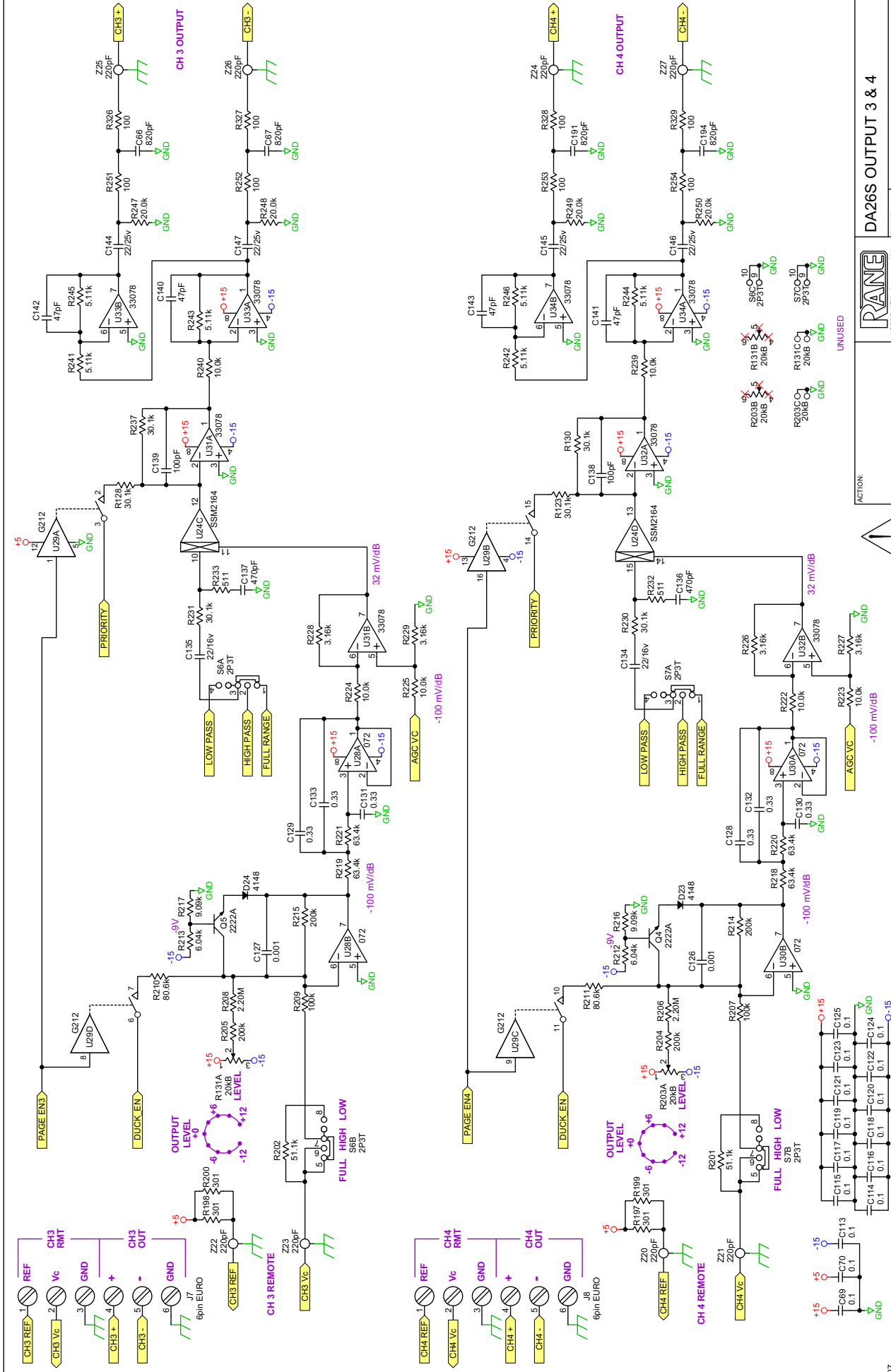
CHECKED BY:

6/6/2007

C:\card projects\DA26S\110316-z.SchDoc







ACTION: SKH
 DRAWN BY: SKH
 CHECKED BY: SKH
 PROJECT: DA26S OUTPUT 3 & 4
 SHEET: 5 of 6
 110318

