

ACTION	DA 26 AGC
DRAWING:	SHEET 1 OF 6
CHECKER:	10892 47th Avenue West Maple Valley WA 98275-5898
CROSSOVER	OUTPUT 8/2
1069952.SCH	1069953.SCH
PRIORITY INPUT	OUTPUT 3/4
1069953.SCH	1069955.SCH
OUTPUT 1/4	OUTPUT 5/6
1069954.SCH	1069956.SCH

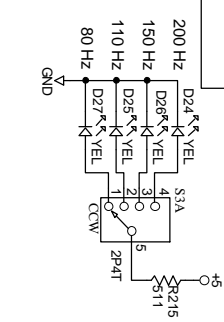
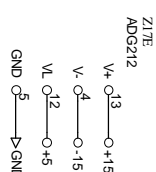
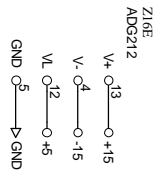
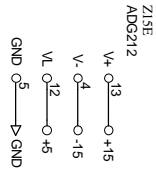
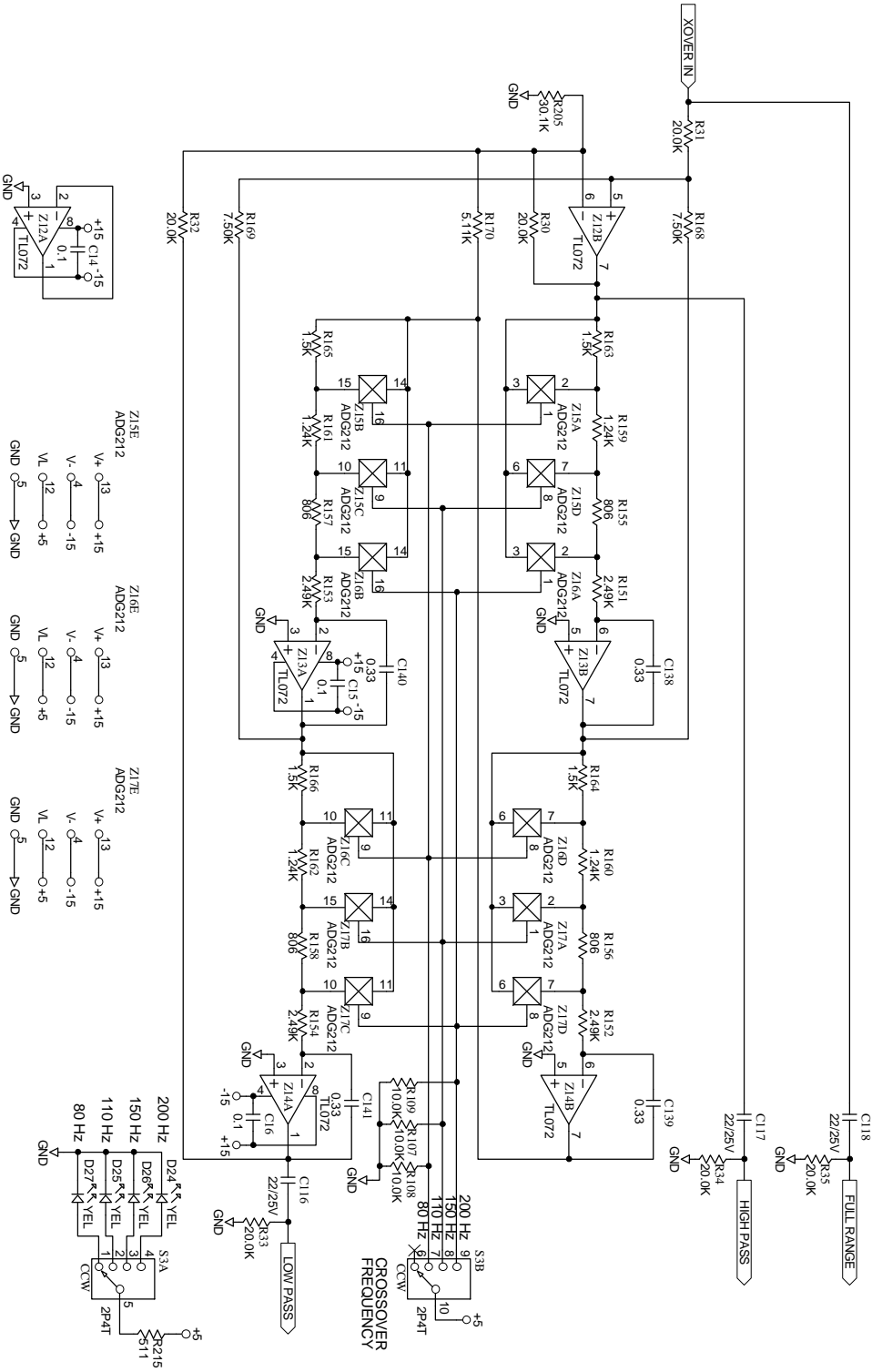


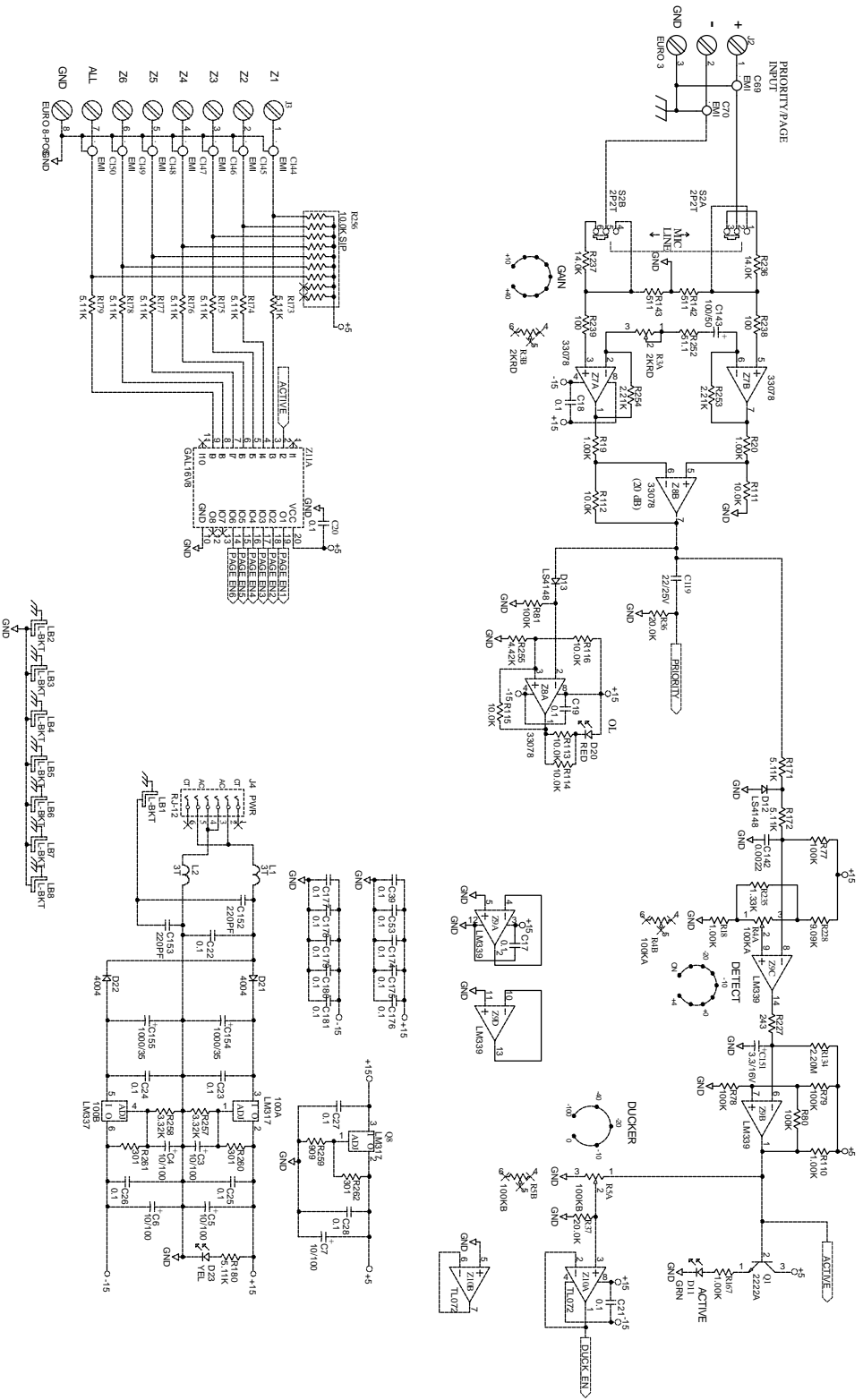
ACTION:
DRAWN BY:
CHECKED BY:



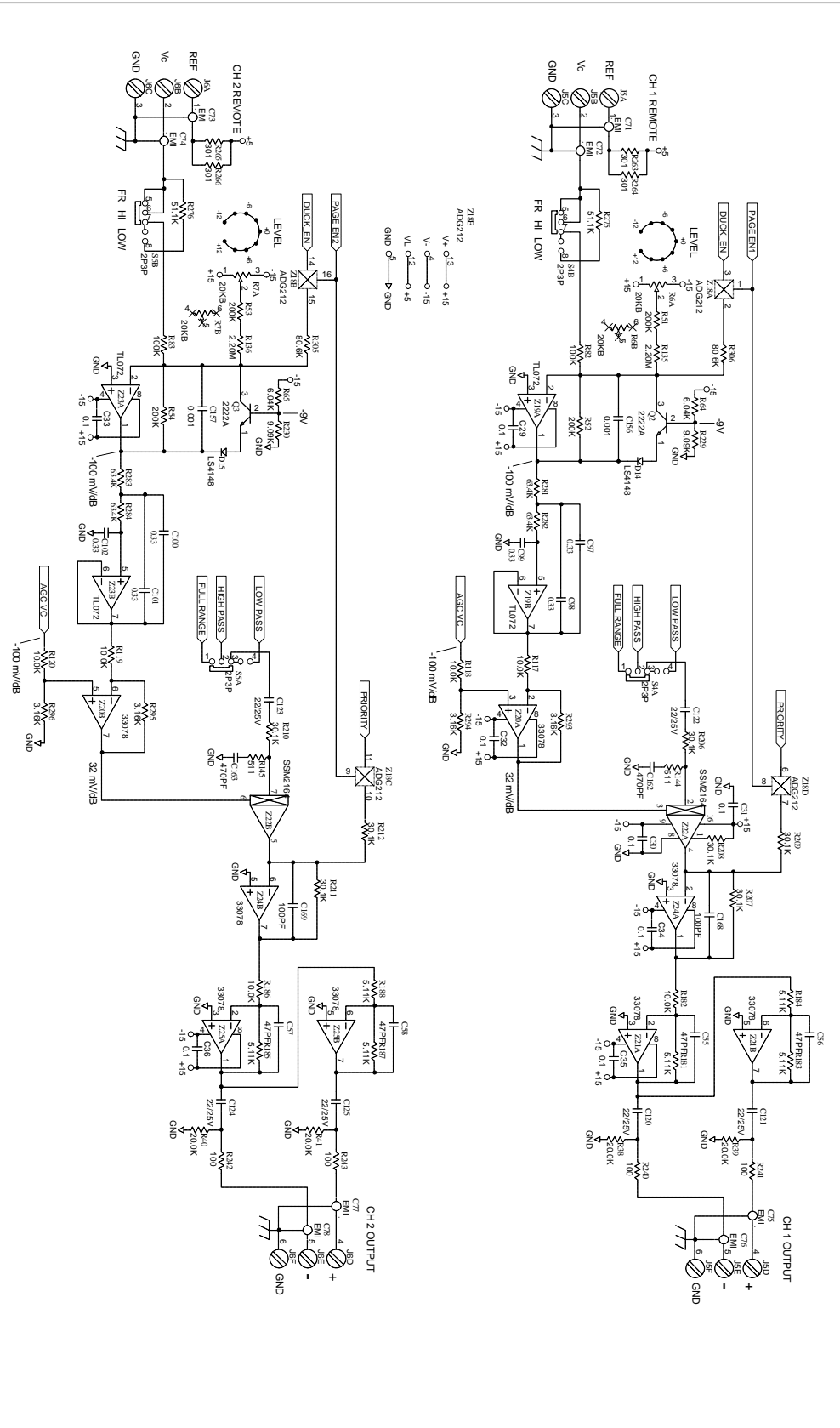
SHEET:
2 of 6

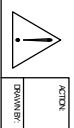
DA 26 CROSSOVER
104699



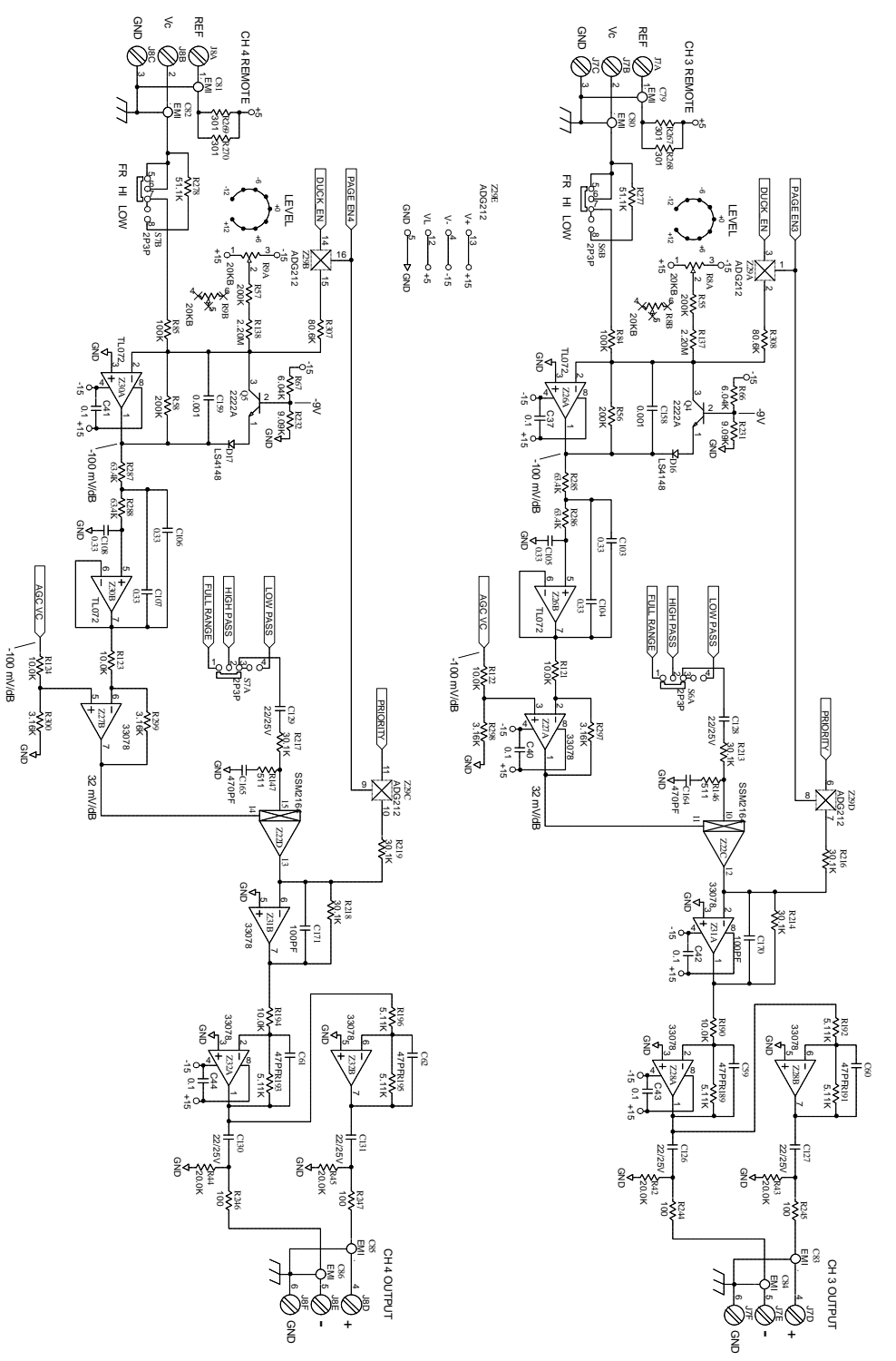


ACTION: DRAWING: CHECKED:
RAVE DA 26 PRIORITY INPUT
 10892 27th Avenue West SEET SHEET
 MANASSAS VA 20108-5898 3 of 6 104699





SECTION	DA 26 OUTPUT 3&4
DRAWN BY	
CHECKED BY	
10882 47th Avenue West Maple Ridge, BC V2X 2Y9	5 of 6 104699



SECTION	DA 26 OUTPUT 586
DRAWN BY	
CHECKED BY	
	
10882 47th Avenue West Mukwonago, WI 53075-2890 6 of 6 104699	

