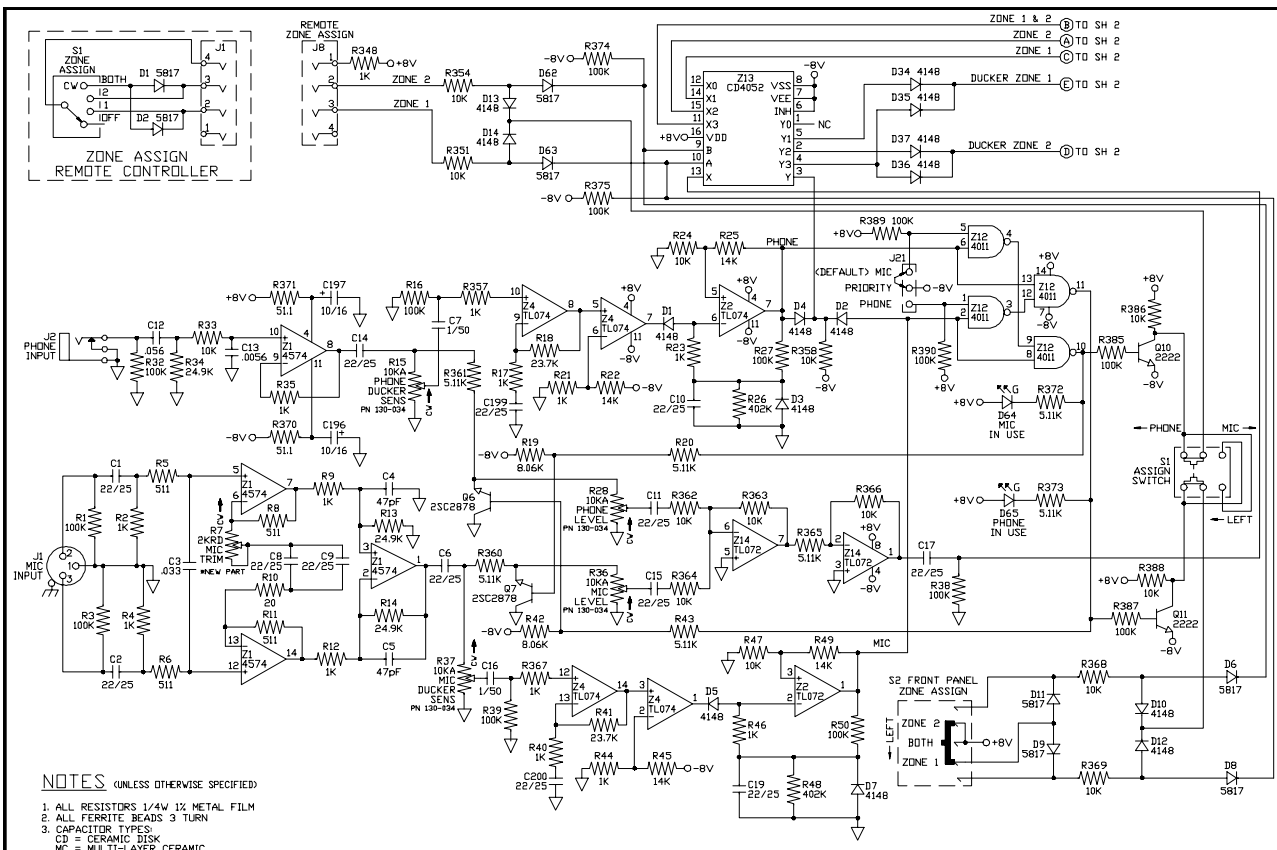


CP 62 ASSY 522-201 REV C SKH 1AUG95
 ACTION: DELETED R376, ADDED R406 & R407



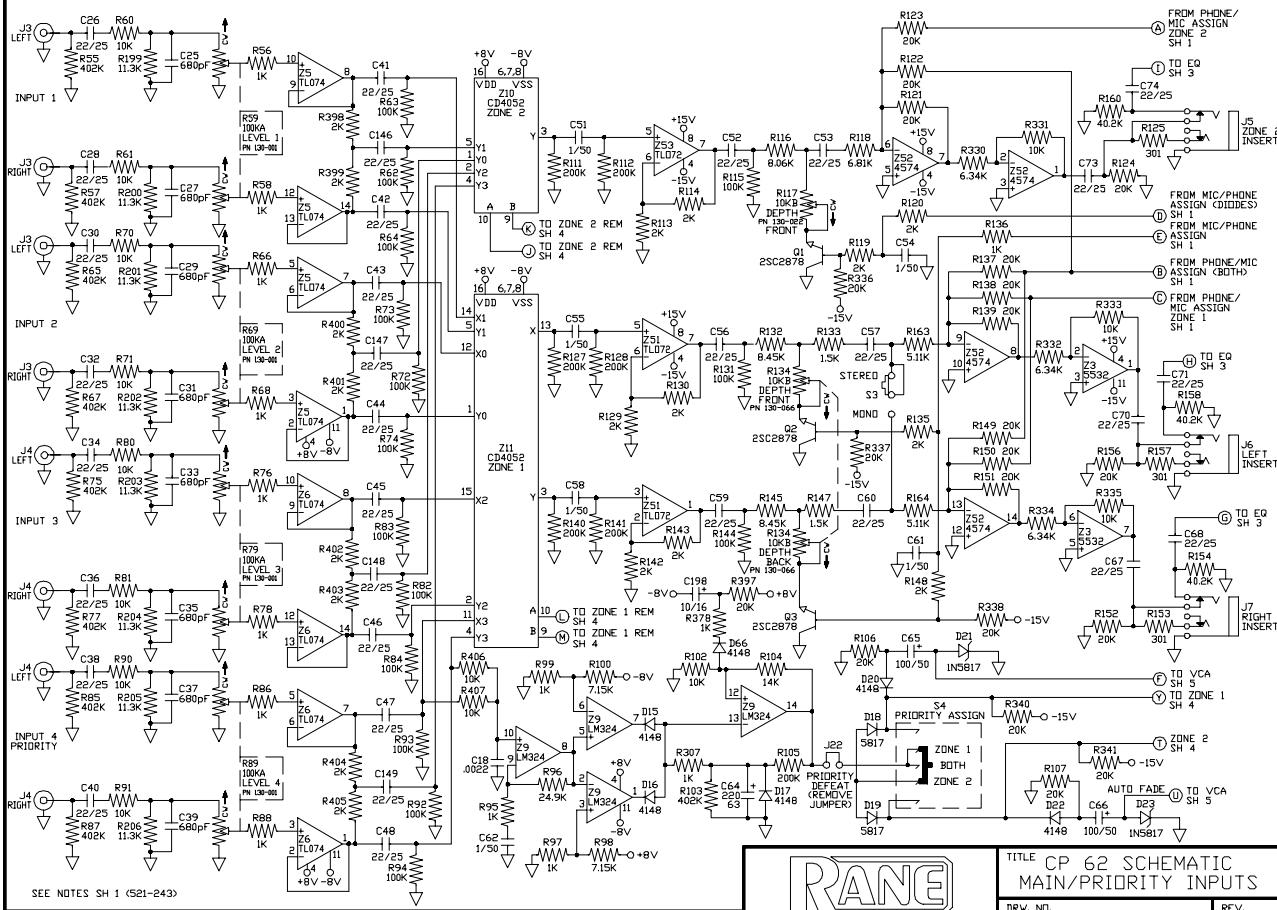
- NOTES (UNLESS OTHERWISE SPECIFIED)
1. ALL RESISTORS 1/4W 1% METAL FILM
 2. ALL FERRITE BEADS 3 TURN
 3. CAPACITOR TYPES:
 CD = CERAMIC DISK
 MC = MULTILAYER CERAMIC
 4. ALL SW'S SHOWN IN THEIR "OUT" OR "OFF" POSITION. (RELAY SHOWN DE-ENERGIZED)

Corp. 10802 47th Avenue West, Mukilteo
WA 98275-5098 (206) 355-6000

TITLE CP 62 SCHEMATIC
MIC/PHONE INPUTS

DRV. NO. 521-243 REV. D

REVISIONS REV. D ACTION R18 & R41 WERE 51K.	DATE 14JAN97 APPROVED RJT
DRAWN S HEADRICK DATE 5JAN94 CHECKED RGH DATE 06APR94 SHEET 1 OF 6	DO NOT SCALE DRAWING

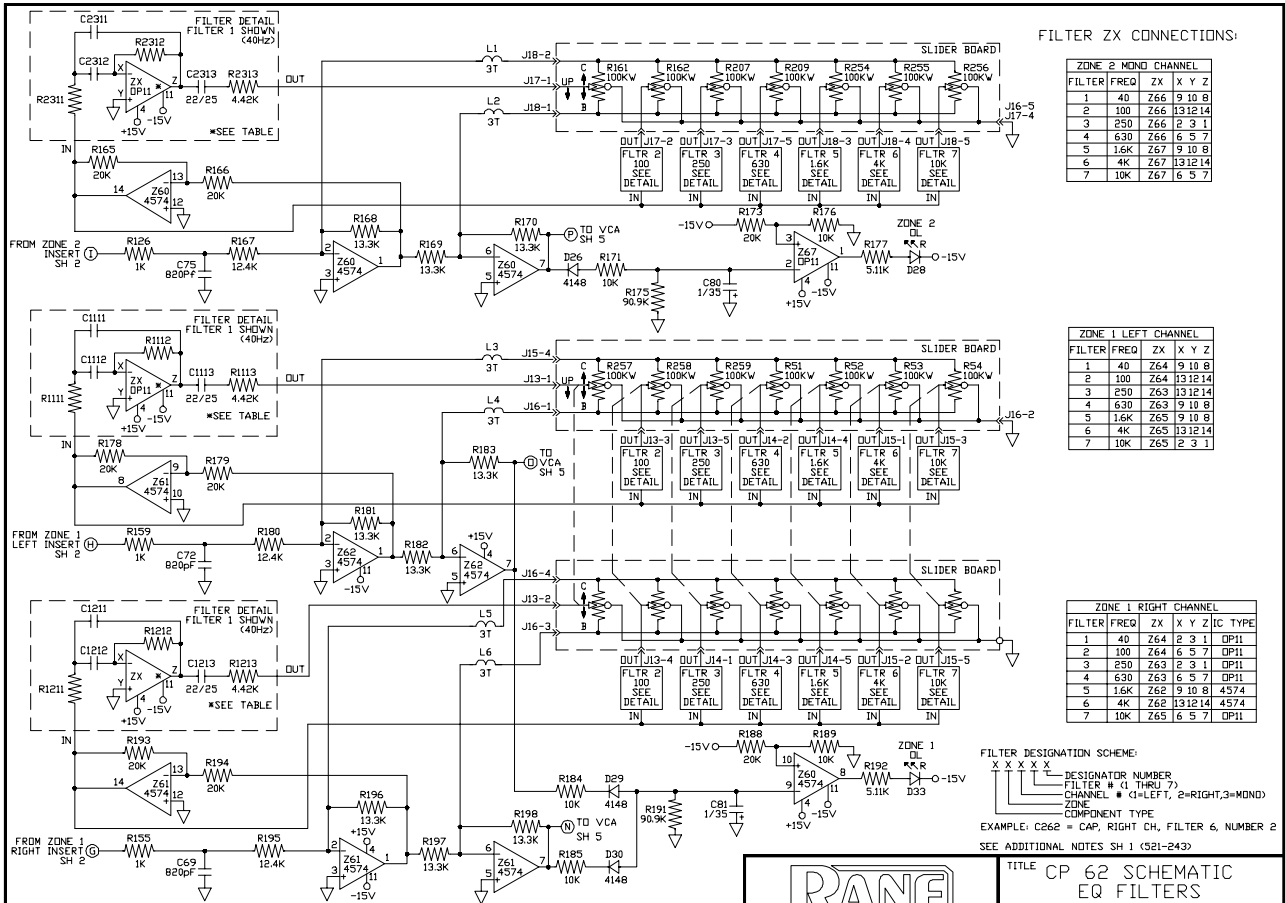


Corp. 10802 47th Avenue West, Mukilteo
WA 98275-5098 (206) 355-6000

TITLE CP 62 SCHEMATIC
MAIN/PRIORITY INPUTS

DRV. NO. 521-244 REV. E

REVISIONS REV. E ACTION R96 WAS 100K.	DATE 14JAN97 APPROVED RJT
DRAWN S HEADRICK DATE 5JAN94 CHECKED RGH DATE 06APR94 SHEET 2 OF 6	DO NOT SCALE DRAWING



FILTER ZX CONNECTIONS:

ZONE 2 MIND CHANNEL						
FILTER	FREQ	ZX	X	Y	Z	
1	40	Z66	9	10	8	
2	100	Z66	13	12	14	
3	250	Z66	2	3	1	
4	630	Z66	6	5	7	
5	1.6K	Z67	9	10	8	
6	4K	Z67	13	12	14	
7	10K	Z67	6	5	7	

ZONE 1 LEFT CHANNEL						
FILTER	FREQ	ZX	X	Y	Z	
1	40	Z64	9	10	8	
2	100	Z64	13	12	14	
3	250	Z63	13	12	14	
4	630	Z63	9	10	8	
5	1.6K	Z65	9	10	8	
6	4K	Z65	13	12	14	
7	10K	Z65	6	5	7	

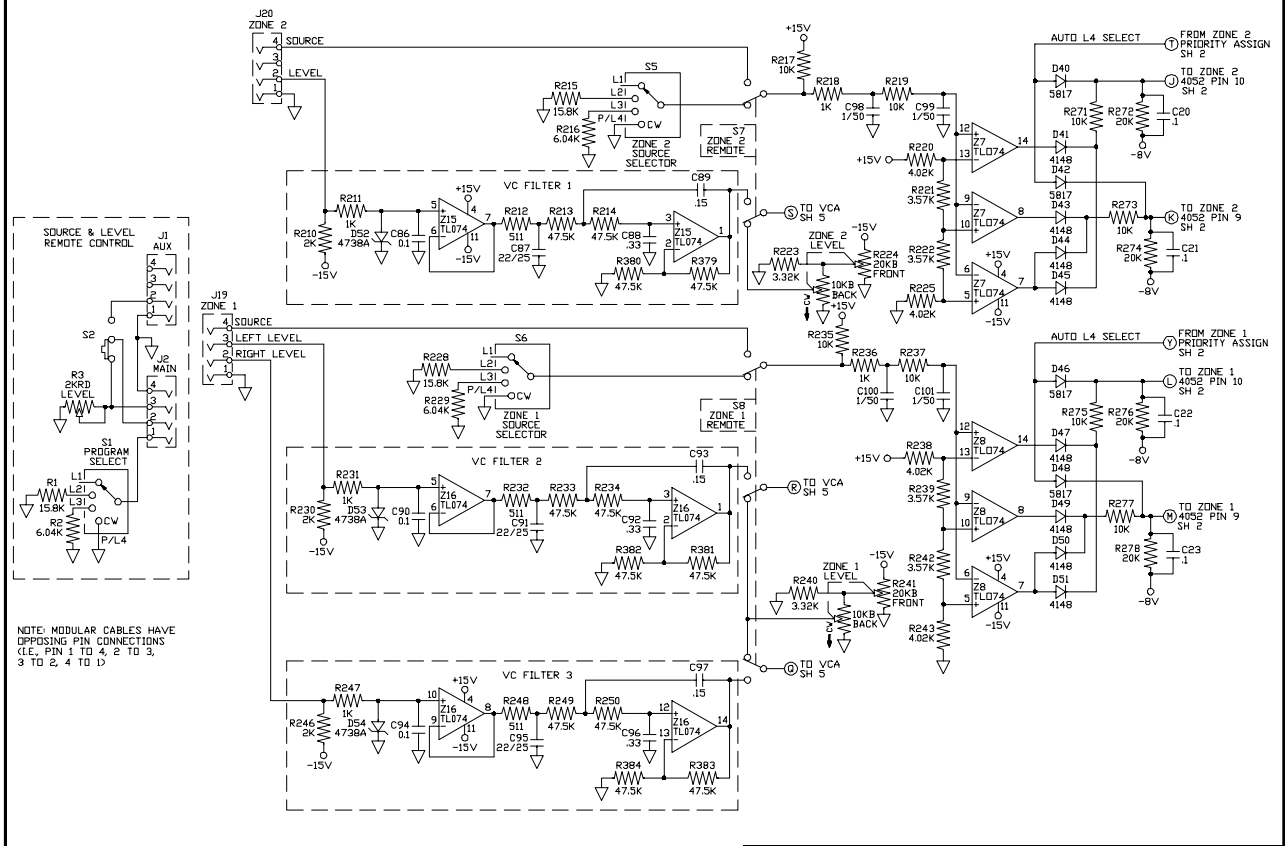
ZONE 1 RIGHT CHANNEL						
FILTER	FREQ	ZX	X	Y	Z	IC TYPE
1	40	Z64	2	3	1	DP11
2	100	Z64	6	5	7	DP11
3	250	Z63	2	3	1	DP11
4	630	Z63	6	5	7	DP11
5	1.6K	Z62	9	10	8	4574
6	4K	Z62	13	12	14	4574
7	10K	Z65	6	5	7	DP11

FILTER DESIGNATION SCHEME:
 X X X X X
 DESIGNATOR NUMBER
 FILTER # (1 THRU 7)
 CHANNEL # (1=LEFT, 2=RIGHT, 3=MIND)
 ZONE
 COMPONENT TYPE
 EXAMPLE: C262 = CAP, RIGHT CH, FILTER 6, NUMBER 2
 SEE ADDITIONAL NOTES SH 1 (521-243)



TITLE CP 62 SCHEMATIC EQ FILTERS
 DRW. NO. 521-245
 REV. C

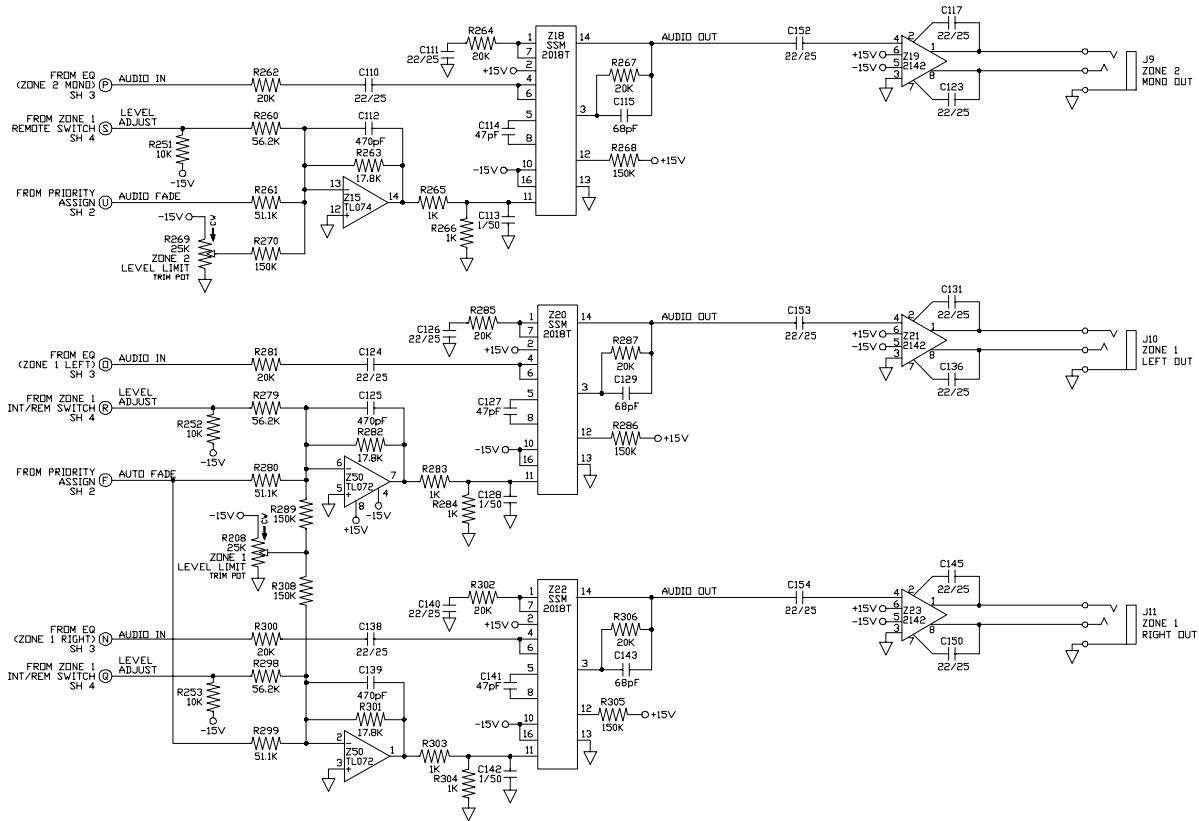
REV. C ACTION CHANGED MANY VALUES FOR COMMONALITY AND RADIAL INSERTION. DATE 03APR96 APPROVED RJT
 DRAWN S HEADRICK DATE 5JAN94 CHECKED RGH DATE 06APR94 SHEET 3 OF 6 DO NOT SCALE DRAWING



SEE NOTES SH 1 (521-243)
 C89, C93 & C97 WERE 1/50.
 REV. D ACTION R212, R232 & R248 WERE 2.2K. C88, C92 & C96 WERE 1/50. DATE 14JAN97 APPROVED RJT
 DRAWN S HEADRICK DATE 5JAN94 CHECKED RGH DATE 06APR94 SHEET 4 OF 6 DO NOT SCALE DRAWING



TITLE CP 62 SCHEMATIC VCA/OUTPUTS
 DRW. NO. 521-246
 REV. D



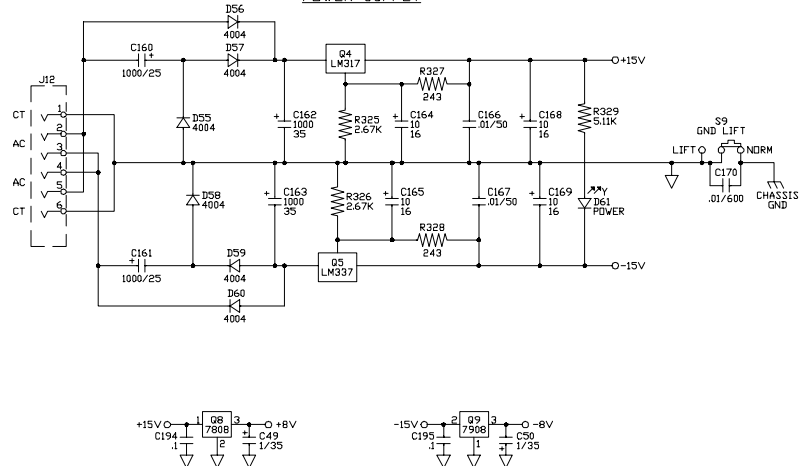
SEE NOTES SH 1 (521-243)

	TITLE CP 62 SCHEMATIC VCA/OUTPUTS	
	DRW. NO. 521-247	REV. C

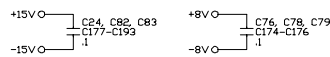
REVISIONS	REV. C	ACTION CHANGED MANY VALUES FOR COMMONALITY & RADIAL INSERTION	DATE 03APR96	APPROVED RJT
DRAWN S	HEADRICK	DATE 5JAN94	CHECKED RGH	DATE 06APR94
		SHEET 5	OF 6	DO NOT SCALE DRAWING

Corp. 10802 47th Avenue West, Mukilteo
WA 98275-5098 (206) 355-6000

POWER SUPPLY



DECOUPLING CAPS



SEE NOTES SH 1 (521-243)

	TITLE CP 62 SCHEMATIC POWER SUPPLY	
	DRW. NO. 521-248	REV. C

REVISIONS	REV. C	ACTION CHANGED MANY VALUES FOR COMMONALITY AND RADIAL INSERTION	DATE 08APR96	APPROVED RJT
DRAWN S	HEADRICK	DATE 10JAN94	CHECKED RGH	DATE 06APR94
		SHEET 6	OF 6	DO NOT SCALE DRAWING

Corp. 10802 47th Avenue West, Mukilteo
WA 98275-5098 (206) 355-6000