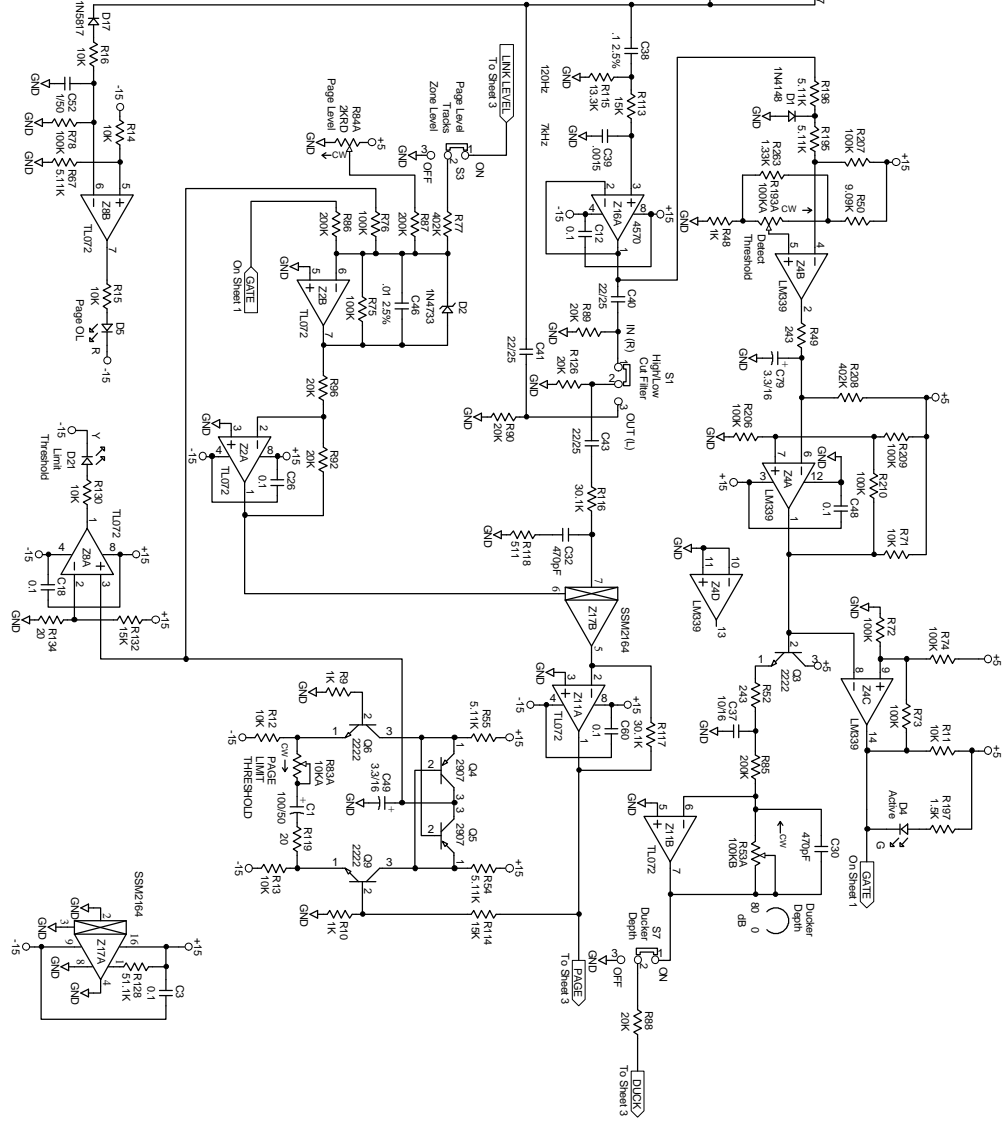
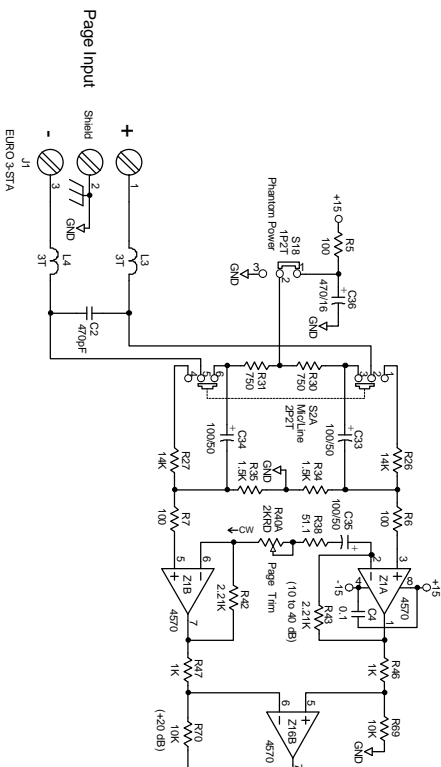


Rane Corp. (425)355-6000  
 100653 DES: MAIN/SLIDER CP 52  
 ACTION: NO CHANGE TO PART, NEW DOC# SKH 26NOV97



PROGRAM INPUTS  
HICP52100477-2.SCH

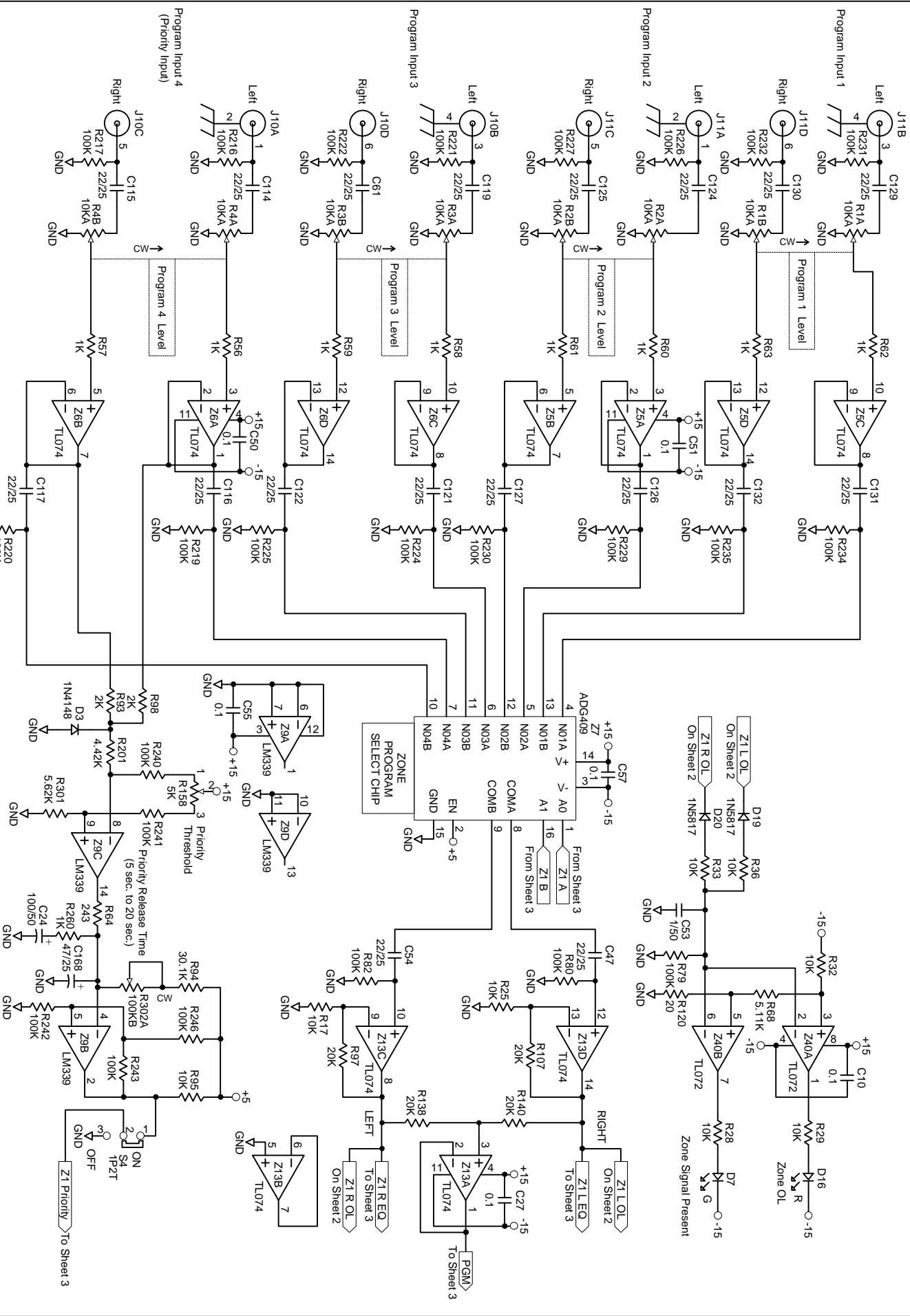
ZONE REMOTES, VOCSMANN OUT  
HICP52100477-4.SCH

EO FILTERS/POWER SUPPLY  
HICP52100477-4.SCH

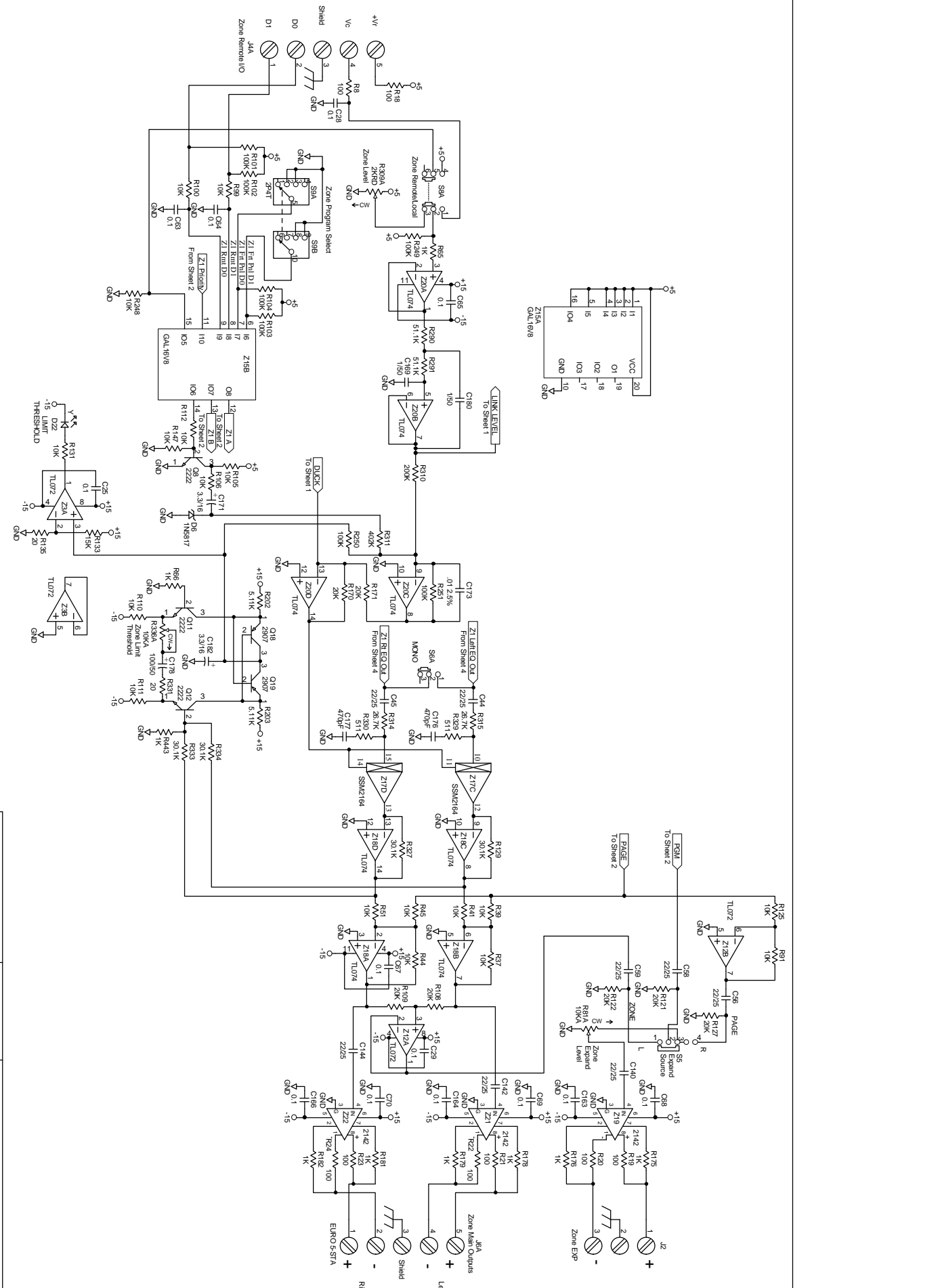
NO CHANGE TO DRAWING.  
NEW DOC#:  
DRAWN BY: SMH  
CHECKED BY: RJ



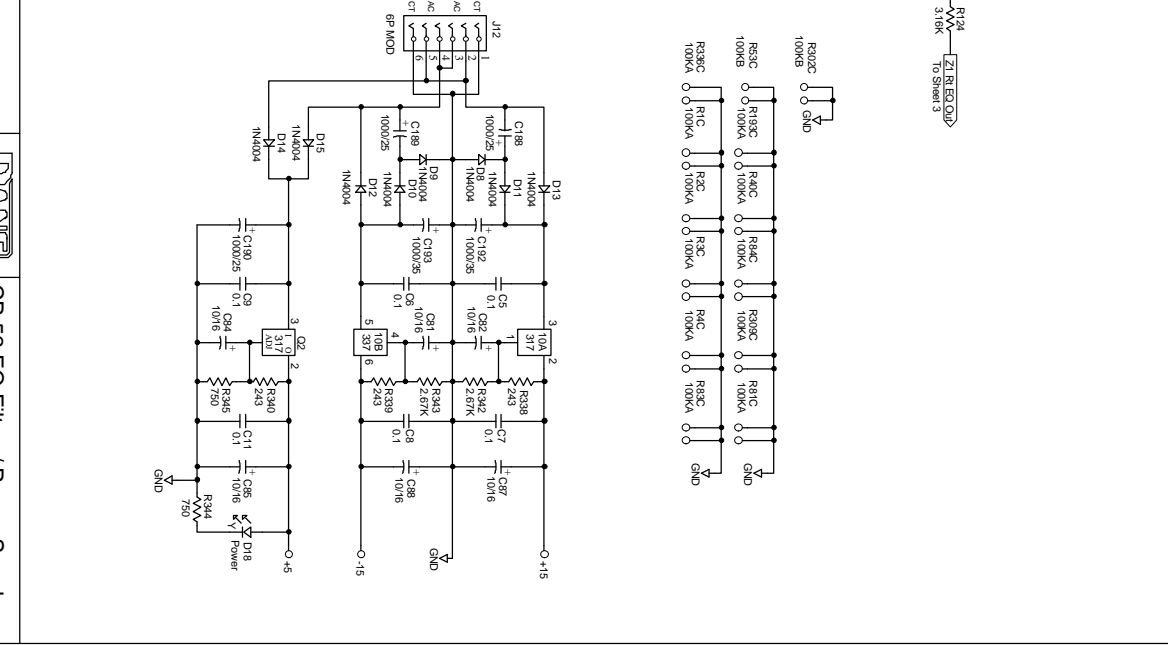
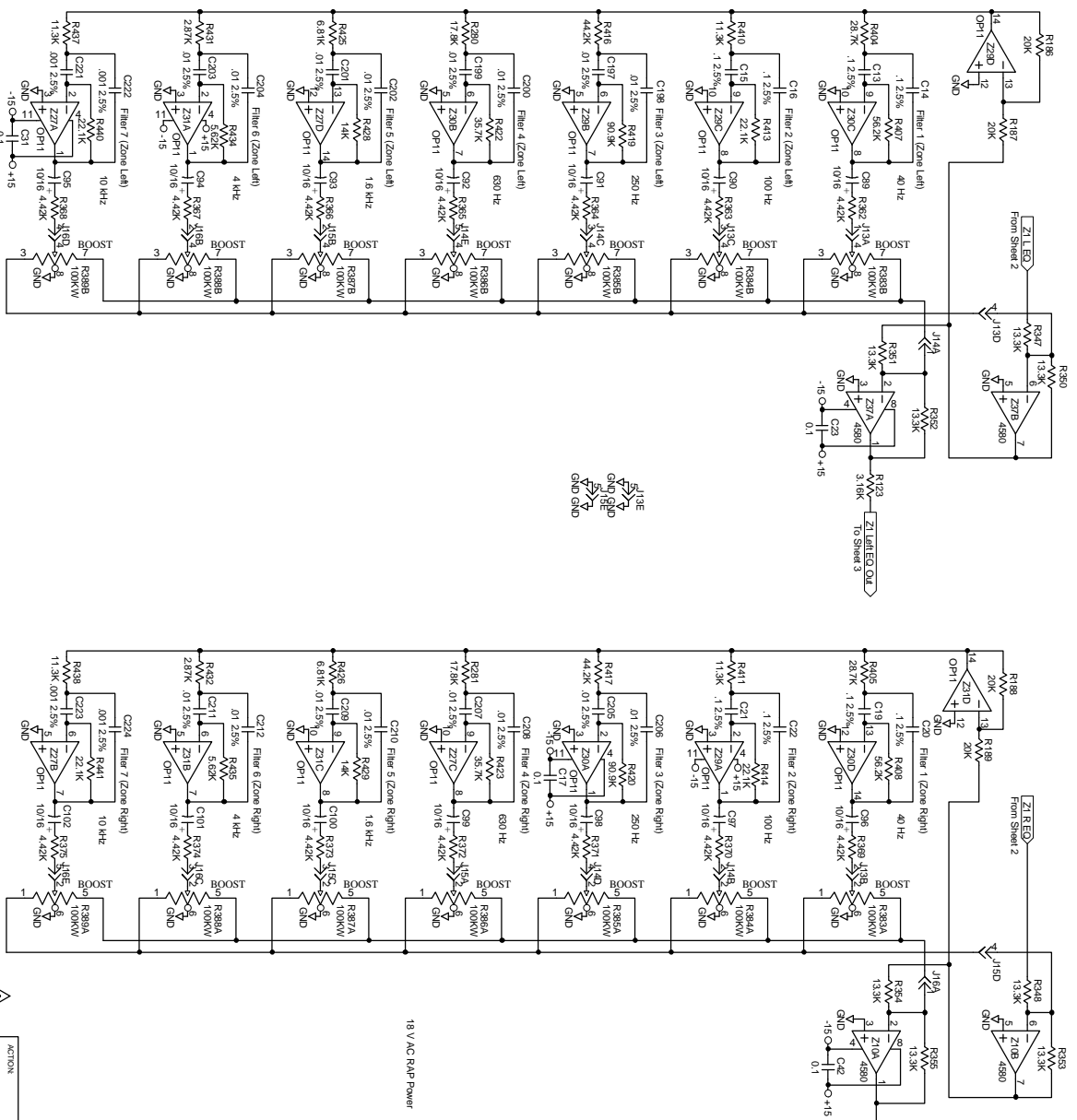
CP 52 Page In & Zone Sensitivity  
SHEET 7 OF 4  
100477



ACTION: NO CHANGE TO DRAWING.  
 DRAWN BY: SKH  
 CHECKED BY: R.J.  
 10802 47th Avenue West  
 Mukilteo WA 98275-5098  
**PANE**  
 SHEET: 2 of 4  
**CP 52 Program Inputs**  
 100477



ACTION	NO CHANGE TO DRAWING.
NEW DDC#	
DRAWN BY	SMH
CHECKED BY	RJ
DESIGNED BY	
DATE	
MULTIPLE V.A. 98275-5098	
<b>PARANE</b>	
1400 VILLAGE CENTER ROAD	
MILLERSVILLE, VA 22765-5098	
SHEET	3 of 4
100477	
CP 52 Zn Rmts. VCAs/Main Outs	



ACTION:	NO CHANGE TO DRAWING.
	NEW BOARD.
	DRAWN BY: SJH
CHECKED BY:	RJ
	DATE: 07-19-97
	NUMBER: 100477-4SCH
 CP 52 EQ Filters/ Power Supply	SHEET:
	4 of 4
	100477