

General Description

The CP52S is a versatile commercial preamplifier designed for use in restaurants, bars, health clubs and offices. The CP52S serves one stereo Zone. One gated Paging Input and four stereo Program Inputs are provided. A Port allows expansion of Page, Program or Zone signals. Three levels of priority are supported:

1. Page
2. Program Priority
3. Non-Priority Program

The Paging Input is summed after Zone Level, Zone EQ and Zone Limiter circuits. If the Page Level Tracks Zone Level switch is *on*, the Page level tracks the Zone Level.

One of four stereo Program Inputs may be selected. Each line level Program Input features an independent Level control.

A gated Program Priority Input is provided. When the rear panel Priority switch is ON and signal is detected at the Priority Input, it overrides any non-priority Program selection. The detector features adjustable Detect Threshold and Release Time controls.

The SCP1S is an optional EQ-slider-only security cover. Any front panel control knobs may be removed and replaced with hole plugs provided with the SCP1S.



SCP1S Equalizer Security Cover

ZR1 Remote Control

The optional ZR1 wired Remote Control allows Zone Level and Zone Program selection of the CP52S from within the Zone area. Remote control is initiated by engaging the RMT switch (located on the CP52S front panel). The ZR1 may be installed in a standard electrical box as shown in the diagram to the right.

The ZR1 connects to the CP52S through a 5-pin Euroblock connector. The remote uses 5 wires with 2 bits for Zone Program selection (active low Gray Code), a common shield/gnd and two wires for ratiometric DC control of Zone Level. Selector logic is active low Gray Code with pull-up provided in the CP52S. Control may be a simple switch closure to GND or 5 volt TTL.

Gated Paging Circuit Features

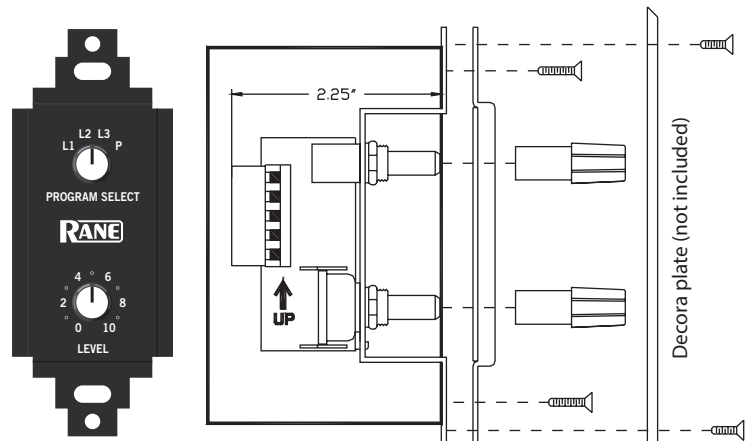
- Mic/Line Selection with Gain Trim
- Phantom Power Switch
- Low / High Cut Filter Switch
- Adjustable Detector Threshold with Active LED
- Paging Level Control
- Switchable Page Level Tracks Zone Level
- Page Input Servo-Locked™ Limiter

Zone Output Features

- Level Control
- 1 of 4 Program Select
- Ducker On/Off with Depth Control
- Output Servo-Locked™ Limiter
- 7-Band Equalizer (± 12 dB)
- Wired Zone Remote Port for Level and Program Selection

Special Features

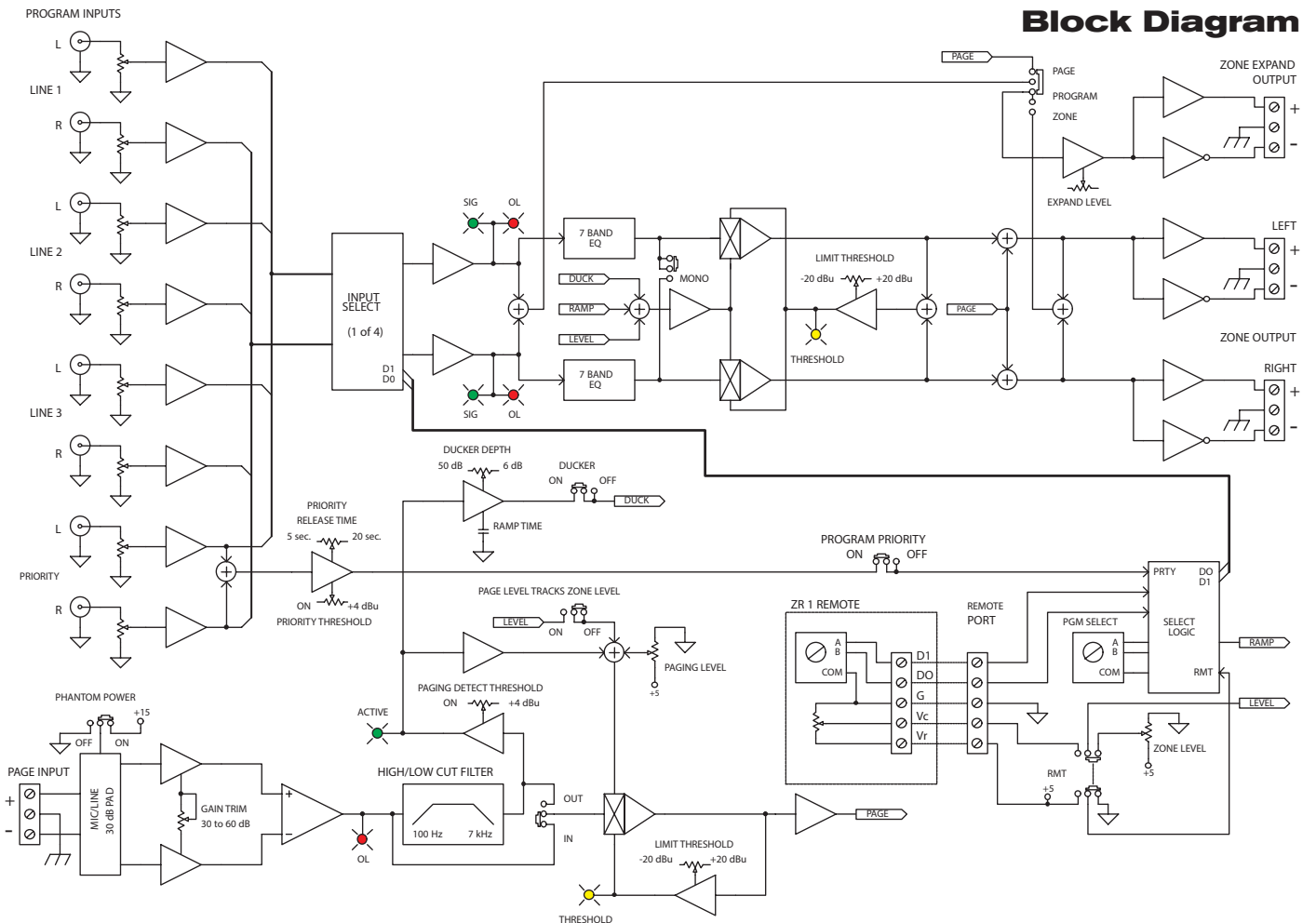
- Page Initiated Program Ducking
- Gated Stereo Program Priority Input
- Page/Program/Zone Expansion with Level Control
- Universal internal switching power supply (100-240 VAC)



| Parameter | Specification | Limit | Units | Conditions/Comments |
|------------------------------------|---------------|-------|-------|--|
| MIC/LINE PAGING INPUT | | | | |
|Input Type | Balanced | | | Instrumentation amplifier |
|RFI Filter | Yes | | | |
|Gain range | +30 to +60 | 2 | dB | Continuously adjustable |
|Frequency Response | 30 to 40k | typ | Hz | Maximum gain, +0, -3 dB |
|Input Referred Noise | -125 | 1 | dBu | Gain: 60 dB, Rs:150 Ω, BW: 20 kHz |
|CMRR | 40 | min | dB | 20 Hz to 20 kHz |
|THD+NS | .05 | .01 | % | Gain: 30 dB, +4 dBu out, 1 kHz, BW: 80 kHz |
|Phantom Power | +15 | 4% | VDC | |
|“Mic” Input impedance | 500 | 1% | Ω | Each leg to ground |
|Line Pad | 30 | 1 | dB | Defeats phantom power |
|“Line” Input impedance | 14.5k | 1% | Ω | Each leg to ground |
|Signal Detector Attack | 10 | typ | msec | Fixed; 10 dB overdrive |
|Signal Detector Release | 3 | typ | sec | Fixed |
|Overload Detector | +16 | 1 | dBu | 4 dB before clipping |
|Low Cut / Hi Cut Filters | 100 & 7k | 5 | Hz | Selectable In/Out |
|Paging Zone Level Adjust | Off to 0 | | dB | |
|Page Limiter: Threshold Range | -20 to +20 | typ | dBu | Continuously adjustable |
|Attack Time | 20 | typ | msec | For a 10 dB step; fixed |
|Release Time | 250 | typ | msec | For a 10 dB step; fixed |
|Ratio | 15:1 | typ | | Soft knee |
| PROGRAM INPUTS | | | | |
|Number of Inputs | Four | | | All controls duplicated for each input |
|Input Type | Unbalanced | | | Stereo |
|Input Level Adjust | Off to 0 | | dB | RCA connector |
|Frequency Response | 10 to 50k | typ | Hz | +0, -3 dB |
|Input Impedance | 10k | 20 | Ω | |
|Priority Program Input | | | | |
|Input Detector Range | | typ | dBu | On rear panel; factory set to -50 dBu |
|Release Time Range | 5 to 20 | typ | sec | On rear panel; factory set to 15 seconds |
|Attack Time | 50 | typ | msec | For a 20 dB step; fixed |
| OUTPUTS: Type | | | | |
|Type | Balanced | | | Euroblock connector |
|Zone Out Gain: Program In | 16 | 1 | dB | 100 kΩ load |
|From Page Inputs | 6 | 1 | dB | |
|Expand Out Gain: Zone | 16 | 1 | dB | 100 kΩ load |
|From Page or Program In | 6 | 1 | dB | |
|Frequency Response | 10 to 40k | typ | Hz | +0, -3 dB |
|S/N | 84 | min | dB | re +4 dBu; BW: 20 Hz-20 kHz |
|THD+N | .1 | max | % | +4 dBu, 1 kHz, BW: 80 kHz |
|Crosstalk | -75 | max | dB | 1 kHz, Rs: 25 Ω, (L/R) |
|Output Impedance | 100 | 1% | Ω | Each leg |
|Zone Maximum Output | 20 | typ | dBu | RL: 600Ω |
|Expand Maximum Output | 24 | typ | dBu | RL: 2 kΩ |
|Signal Present | -20 | typ | dBu | Maximum |

| Parameter | Specification | Limit | Units | Conditions/Comments |
|-----------------------------------|-----------------------|-------|-------|---------------------------------|
|Overload Detector | +16 | typ | dBu | 4 dB before clipping |
|Ducker: Depth Range | -50 to -6 | typ | dB | Continuously adjustable |
|Ramped Release | 10 | typ | sec | To full output level |
|Limiter: Threshold Range | -20 to +20 | typ | dBu | Continuously adjustable |
|Attack Time | 20 | typ | msec | For a 10 dB step; Fixed |
|Release Time | 250 | typ | msec | For a 10 dB step; Fixed |
|Ratio | 15:1 | typ | | Soft knee |
| EQUALIZER: Boost/Cut Range | ±12 | .5 | dB | |
|ISO Center Frequencies | 1 1/3 | typ | oct | |
| UNIT: Maximum Power | 12 | | W | |
|Universal Line Voltage | 100-240 | | VAC | 50/60 Hz |
|Conformity | CE, FCC, cULus | | | |
|Construction | All Steel | | | |
|Size | 1.75"H x 19"W x 8.5"D | | | 1U (4.4 cm x 48.3 cm x 21.6 cm) |
|Weight | 5 lb | | | (2.3 kg) |
| SHIPPING: Size | 4.5" x 20.3" x 13.75" | | | (11.5 cm x 52 cm x 35 cm) |
|Weight | 9 lb | | | (4.1 kg) |

Note: 0 dBu = 0.775 Vrms

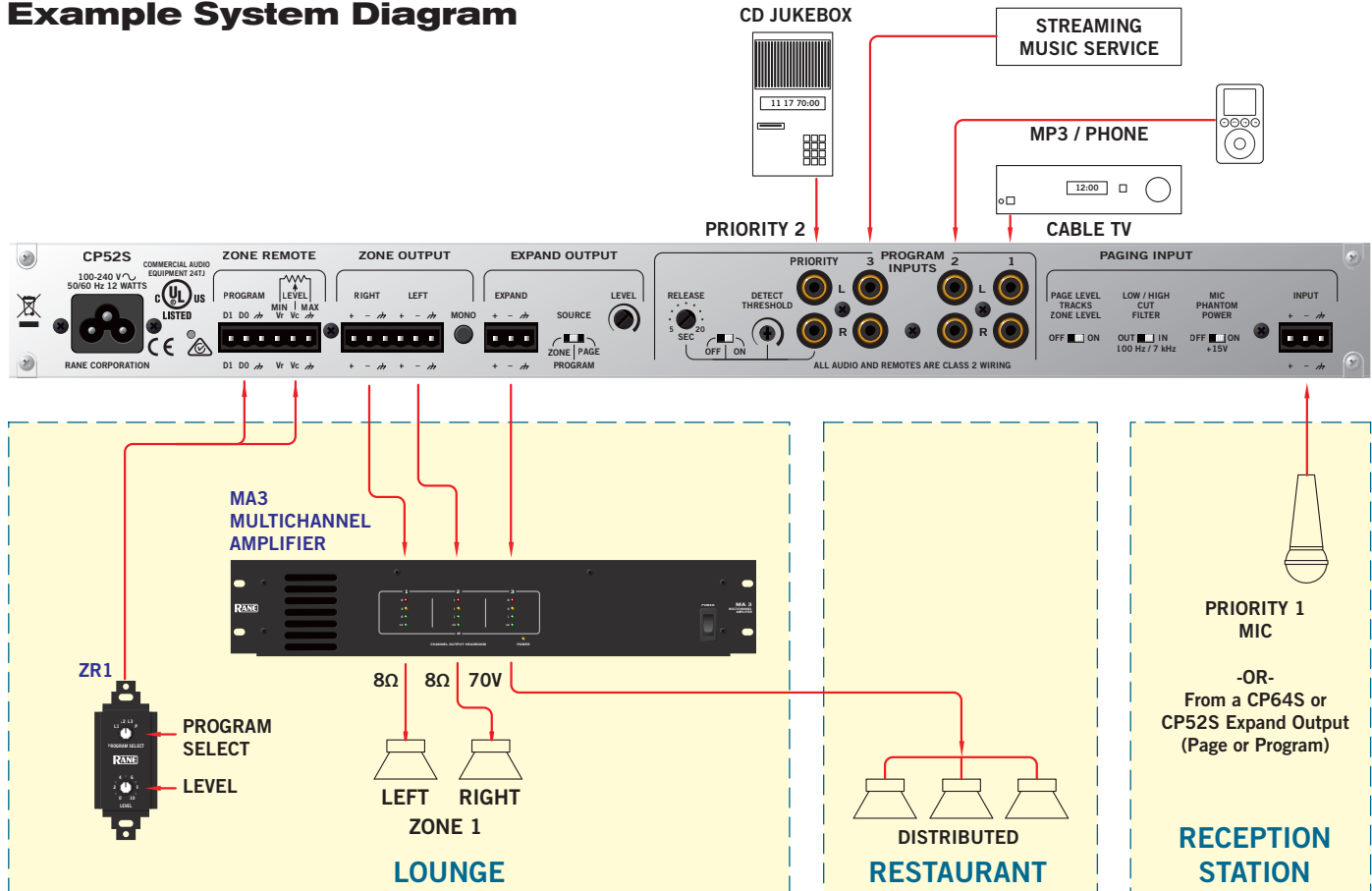


CP52S

COMMERCIAL PROCESSOR



Example System Diagram



Architectural Specifications

The CP52S Processor shall provide a gated paging input, three line-level non-priority program inputs and one gated line-level priority program input. One stereo zone shall be served. A port with independent level control shall be provided for mono page, program or zone signal output. A wired remote control port shall be provided for zone program selection and level.

The page input shall use a 5-pin euroblock connector. Fully adjustable paging controls shall include page level, switchable phantom power, 30 dB mic/line input pad plus 30 dB gain trim, gate and limiter with threshold controls, low/high cut filter switch, and a switch linking page level to zone level.

Each program input shall have stereo RCA jacks and an independent level control. The gated program priority input shall have adjustable threshold and release time controls.

Zone outputs shall use 5-pin euroblock connectors. Zone controls shall include program select, switchable ducker with depth, graphic equalizer, Servo-Locked™ Limiter with threshold control, and mono output switch.

The ZR1 wired remote port shall use a 5-pin euroblock connector. Remote logic shall be active low gray code with internal pull-up. Remote level control shall be ratiometric DC control with 5 volt reference.

The unit shall be capable of operation by means of its own built-in universal power supply operating at 100-240 VAC and meet CE requirements (pending). The unit shall be UL and cUL listed (pending). The unit shall be entirely constructed from cold-rolled steel.

The unit shall be a Rane Corporation CP52S Commercial Processor.

Available Accessories

- ZR1 Zone Source/Volume Remote Control
- SCP1S Equalizer section-only Security Cover with Hole Plugs (individual control security, 6 provided)