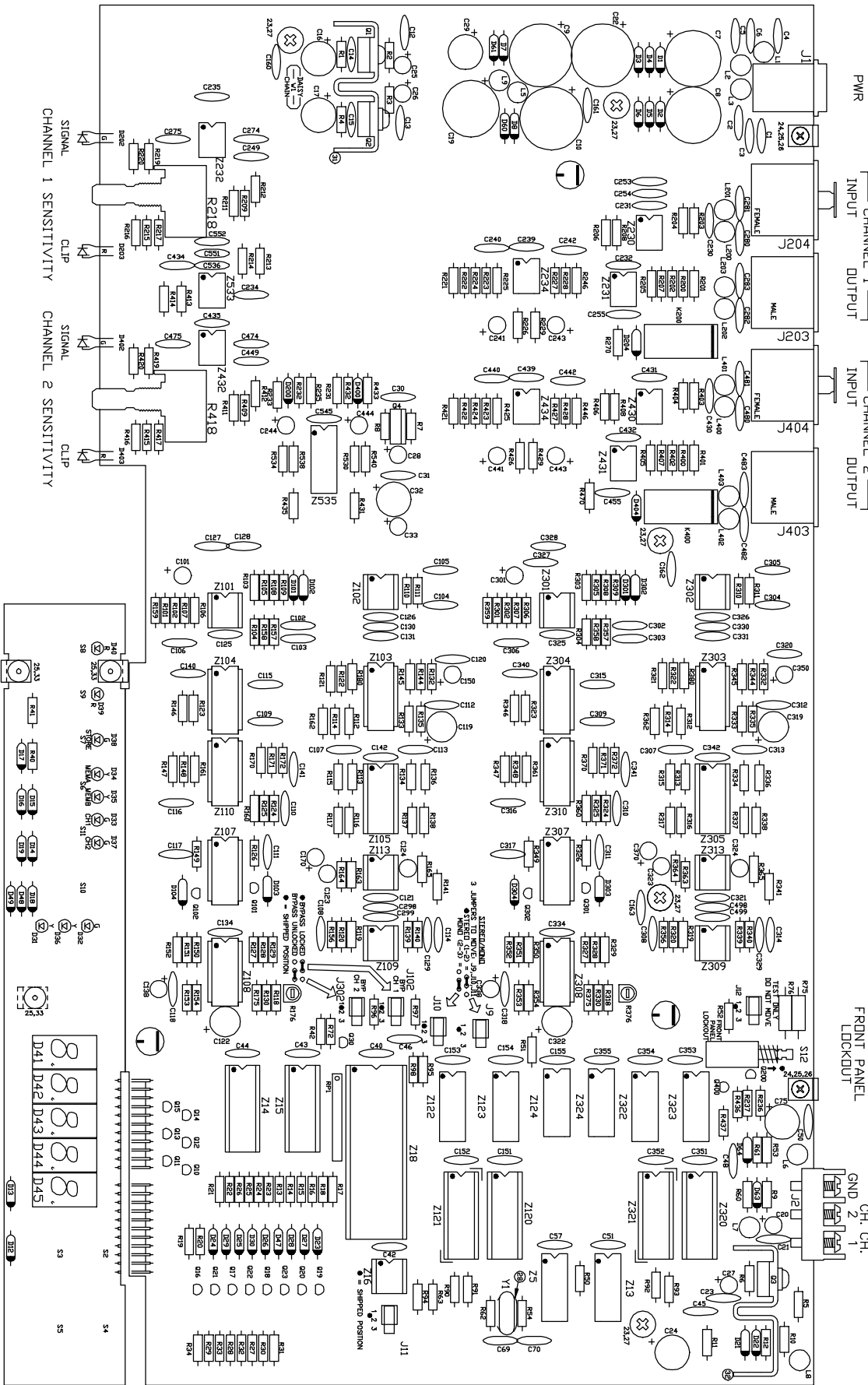
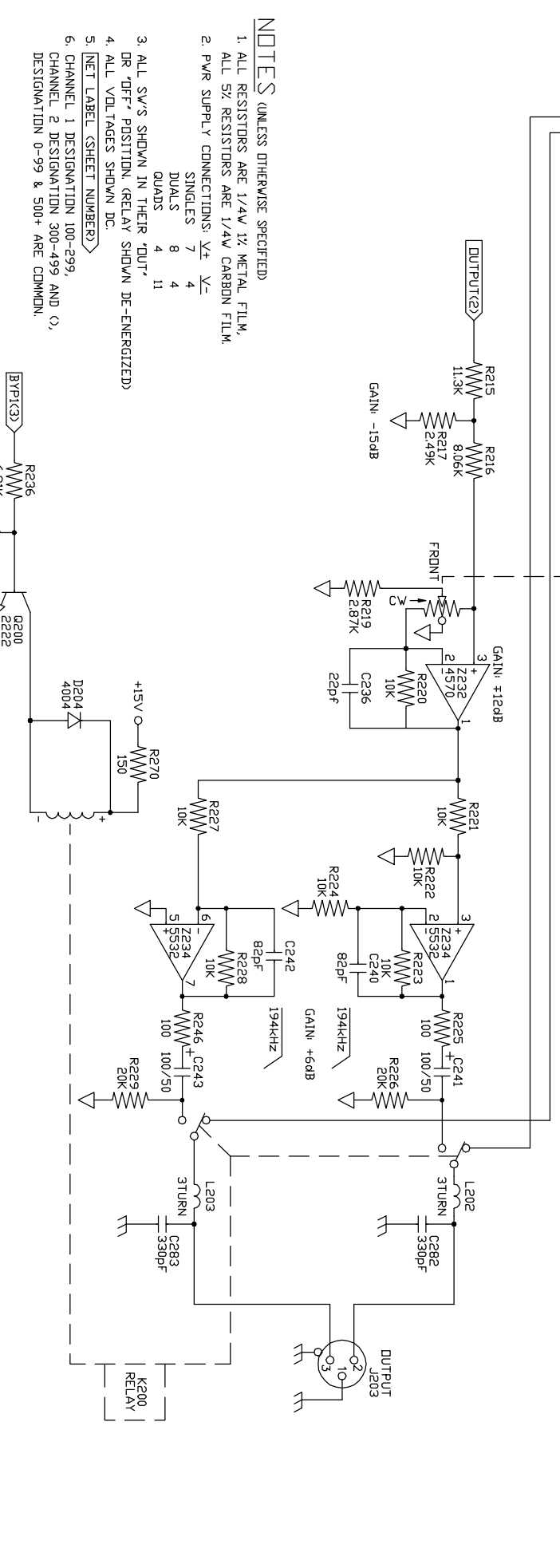
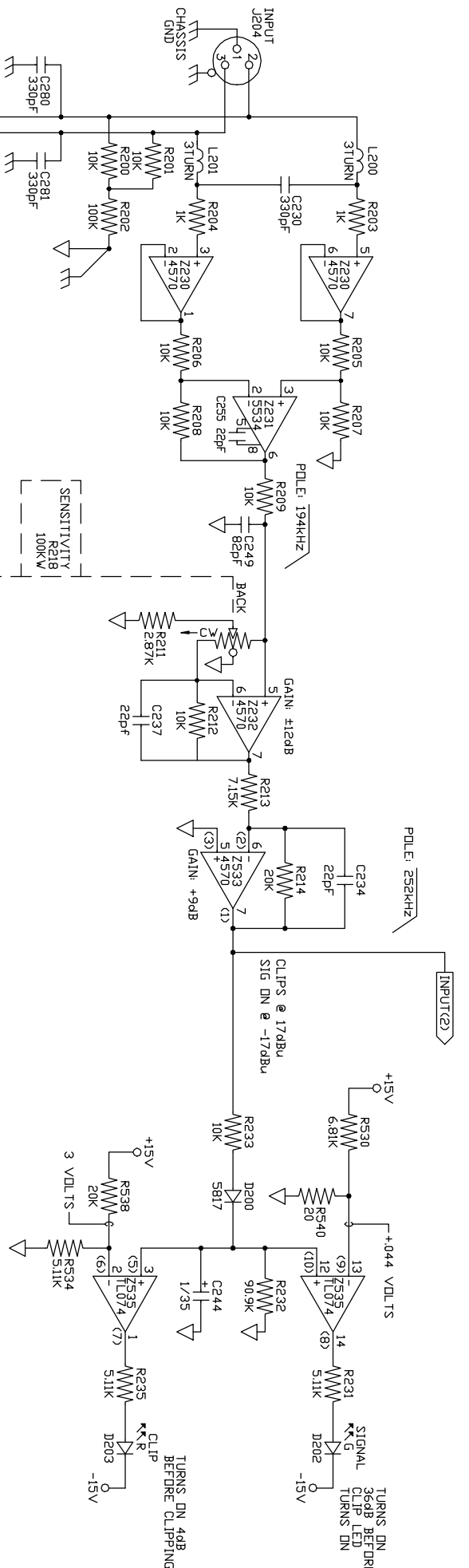


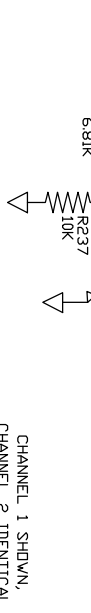
*** STATIC SENSITIVE BOARD ***
 *** YOU MUST BE GROUNDED! ***



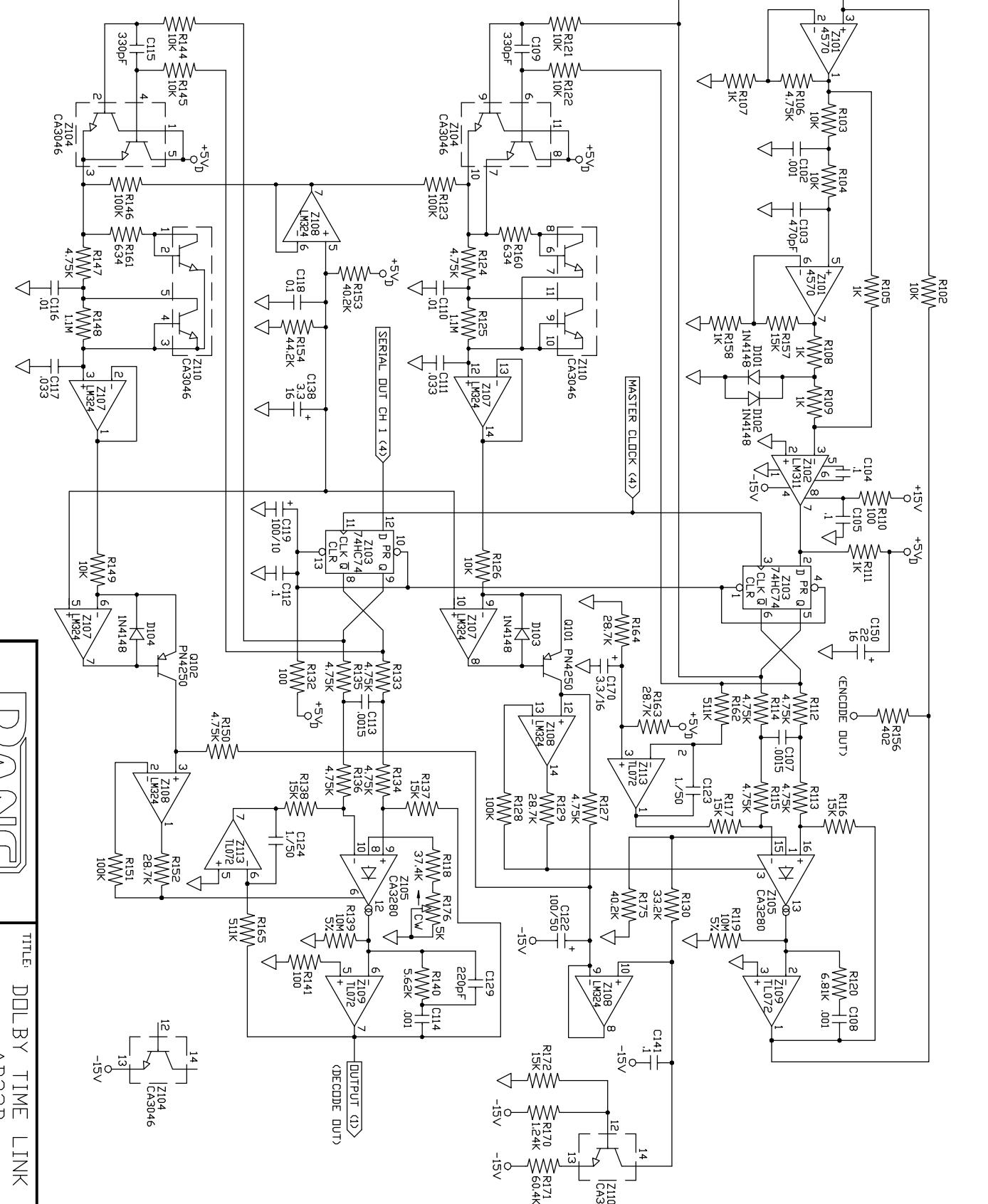


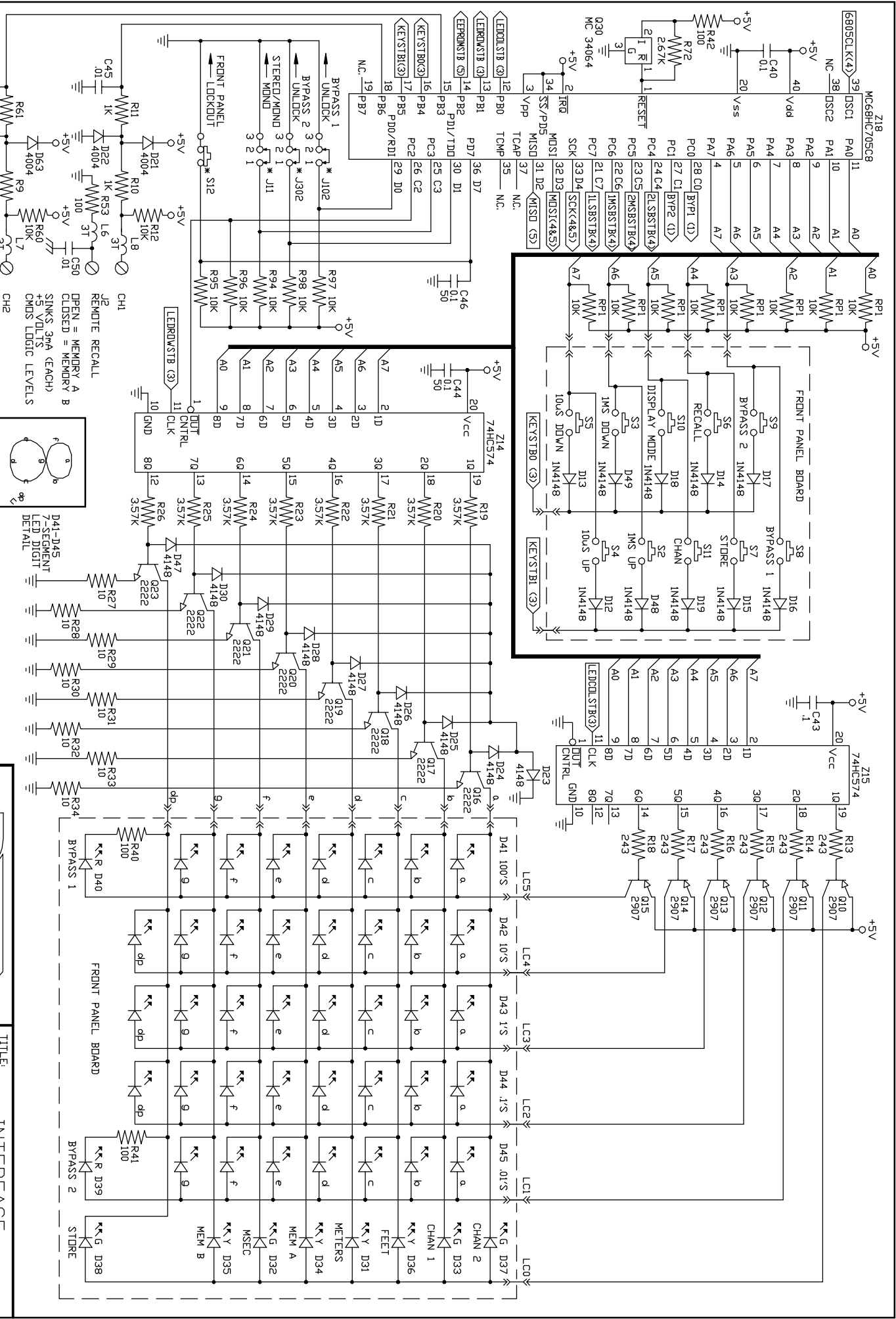
NOTES (UNLESS OTHERWISE SPECIFIED)

1. ALL RESISTORS ARE 1/4W 1% METAL FILM, ALL 5% RESISTORS ARE 1/4W CARBON FILM.
2. PWR SUPPLY CONNECTIONS: ∇ - SINGLES 7 4 4 DUALS 8 4 4 QUADS 4 11
3. ALL SW'S SHOWN IN THEIR 'DOWN' OR 'OFF' POSITION, (RELAY SHOWN DE-ENERGIZED)
4. ALL VOLTAGES SHOWN DC.
5. NET LABEL (SHEET NUMBER)
6. CHANNEL 1 DESIGNATION 100-299, CHANNEL 2 DESIGNATION 300-499 AND (), DESIGNATION 0-99 & 500+ ARE COMMON.



CHANNEL 1 SHOWN,
CHANNEL 2 IDENTICAL,
SEE NOTES ON SHEET 1





ACTION: NND CHANGE TO SCHEMATIC, NEW DDC#

DRAWN: SKH DATE: 16APR92 CHECKED: SRM DATE: 05MAY92 SHEET: 3 OF 5

REVISED: SKH APPROVED: RWJ DATE: 1JUNV97

DO NOT SCALE DRAWING

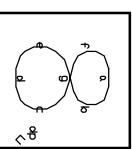
SEE NOTES ON SHEET 1

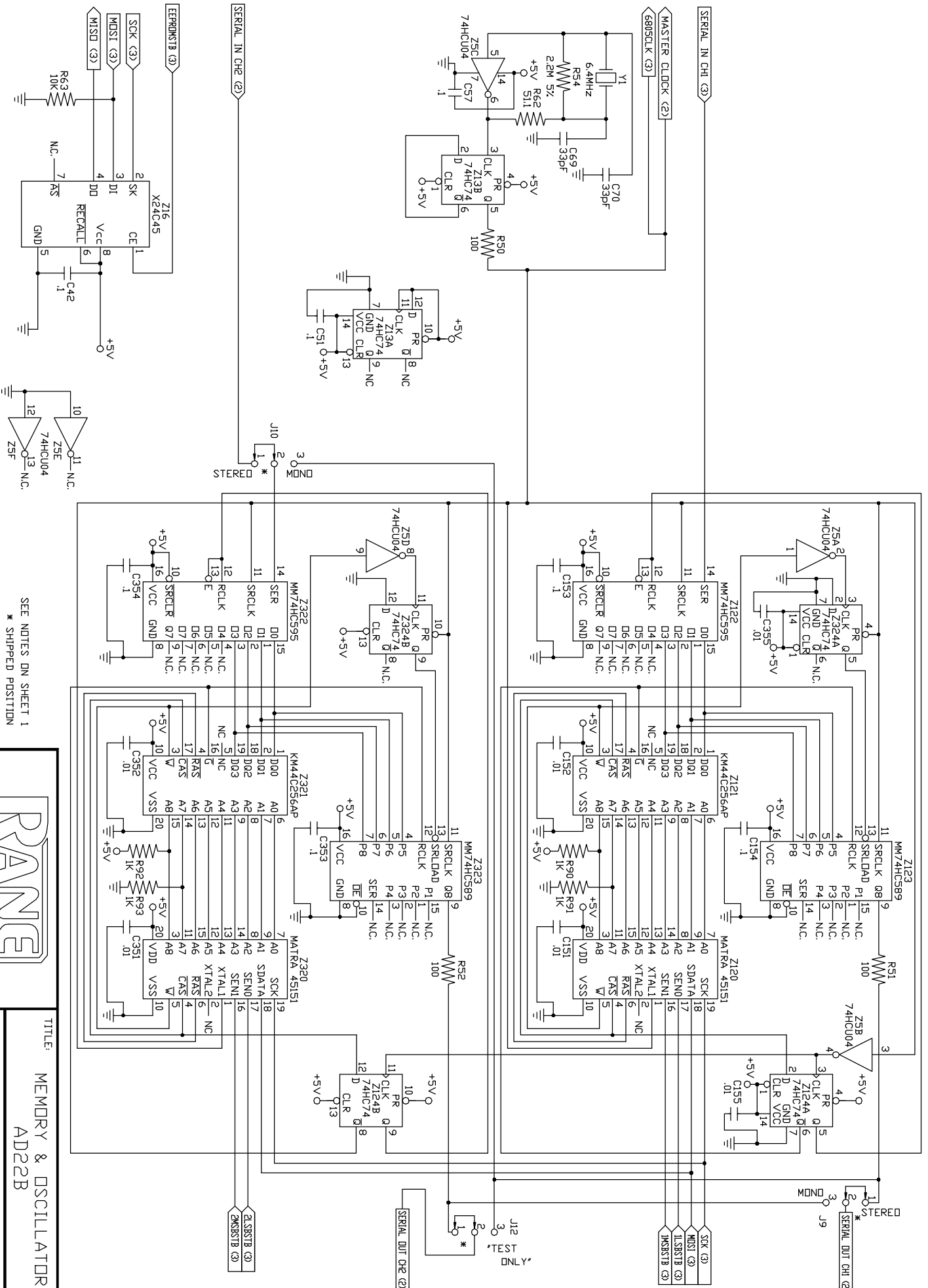
* = SHIPPED POSITION

COMP: 10802 47th Avenue West, Mukilteo
WA 98275-5098 (425) 355-6000

DDC. NO. 100455

TITLE: INTERFACE
ADD22B

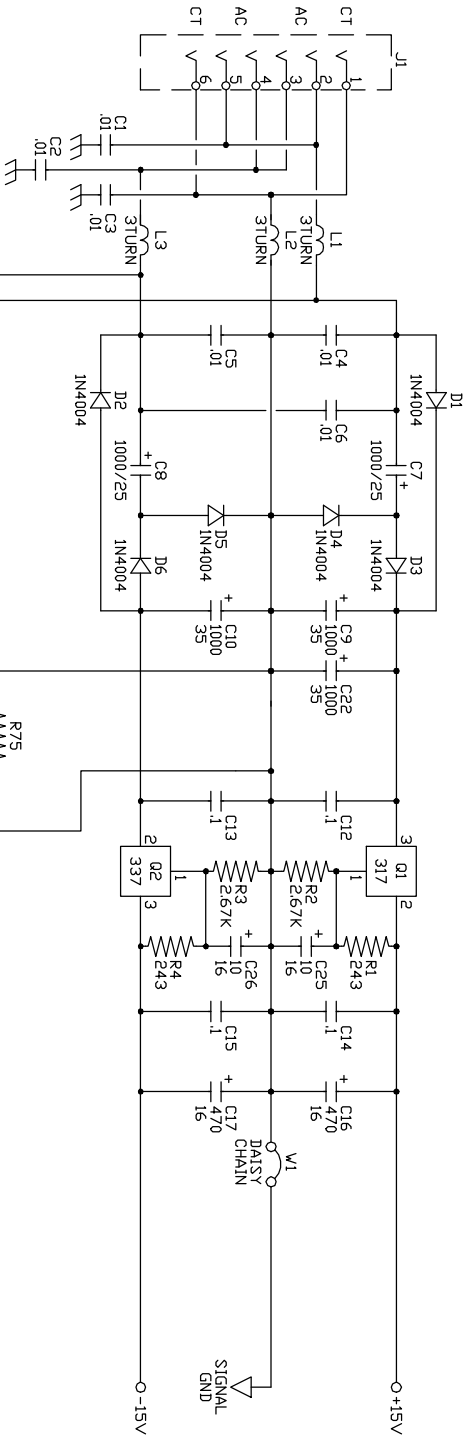




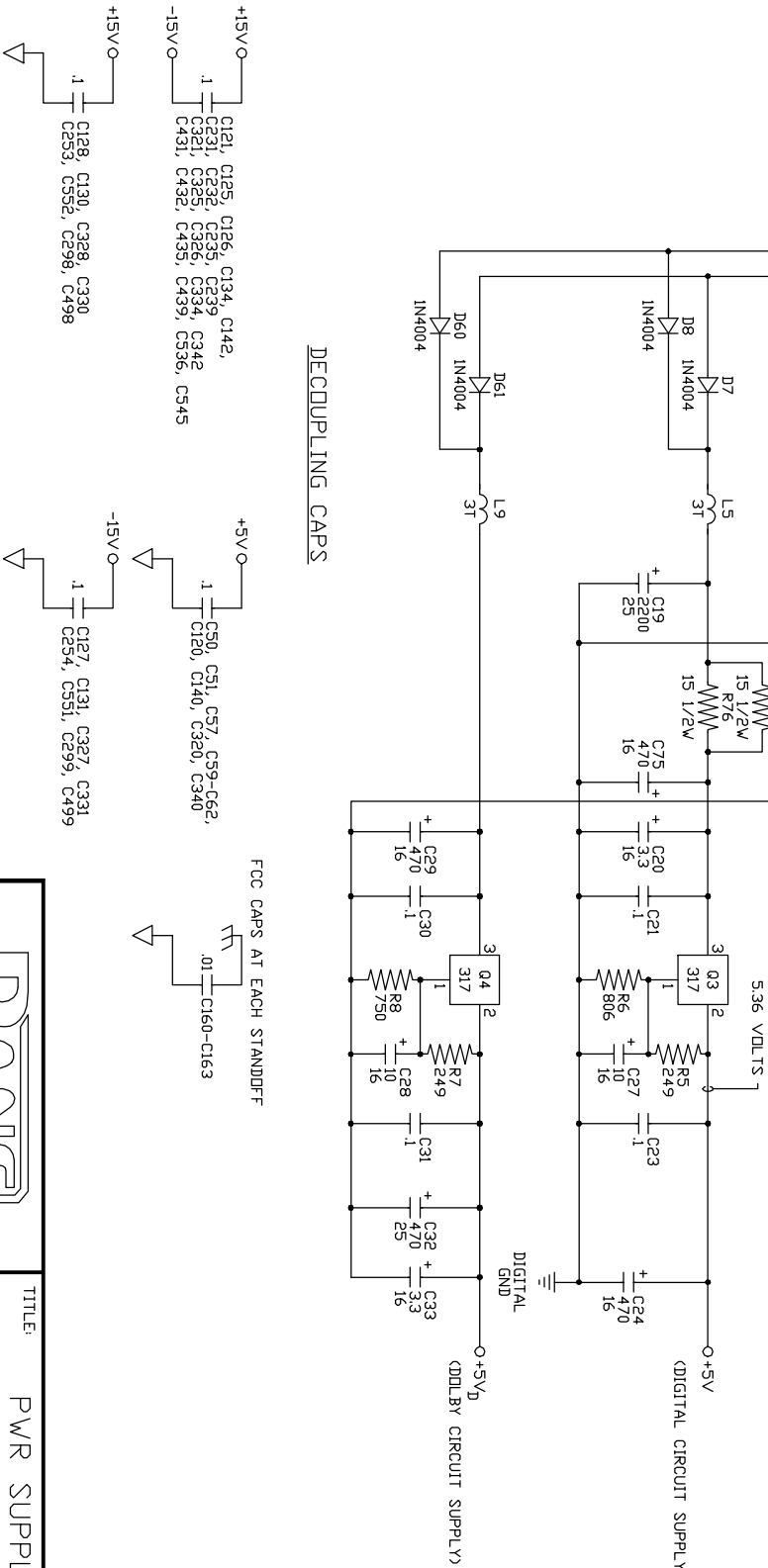
ACTION: NO CHANGE TO SCHEMATIC, NEW DDC#
 DRAWN: SKH DATE: 16APR92 CHECKED: SRM DATE: 05MAY97 SHEET: 4 OF 5 REVISED: SKH APPROVED: SRM DATE: 1JUNV97
 DD NOT SCALE DRAWING
 Corp. 10802 47th Avenue West, Mukilteo WA 98275-5098 (425) 355-6000
RANE
 TITLE: MEMORY & OSCILLATOR
 AD22B
 DDC. NO. 100455

SEE NOTES ON SHEET 1
* SHIPPED POSITION

POWER SUPPLY



DECOUPLING CAPS



FCC CAPS AT EACH STANDOFF

SEE NOTES ON SHEET 1

ACTION: ADDED (4) DECOUPLING CAPS (C298, C299, C498, C499), NEW DDC#	REVISED: SKH	APPROVED: RWJ	DATE: 11NDV97
DRAWN: SRM	DATE: 10FEB92	CHECKED: SKH	DATE: 10FEB92
SHEET: 5 OF 5	DD NOT SCALE DRAWING		

Corp. 10802 47th Avenue West, Mukilteo
WA 98275-5098 (425) 355-6000

TITLE:	PWR SUPPLY
DDC. NO.	AD22B
	100455