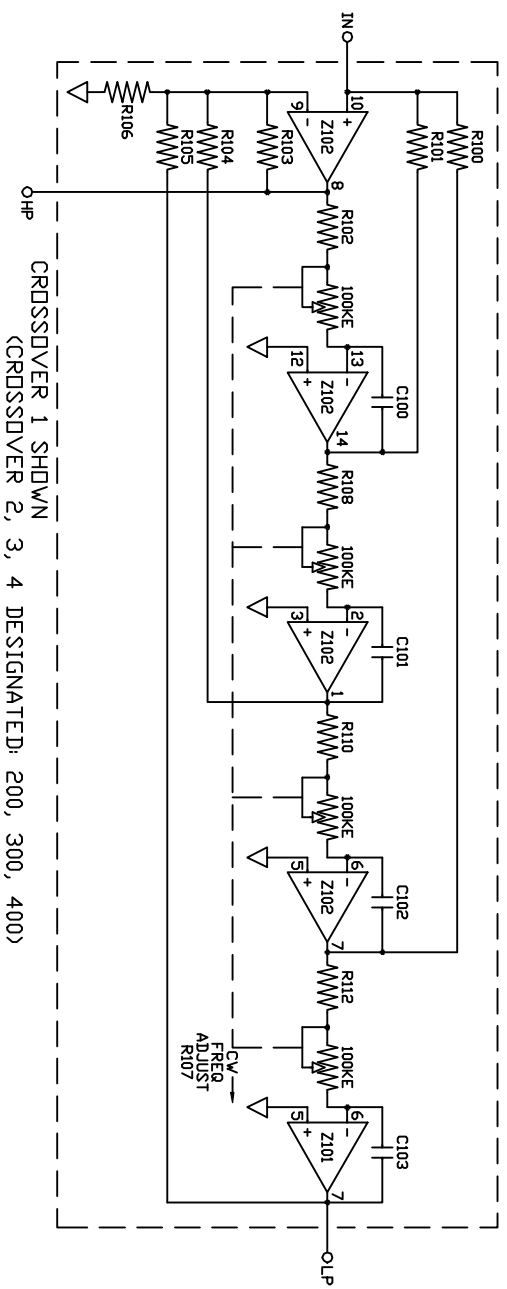


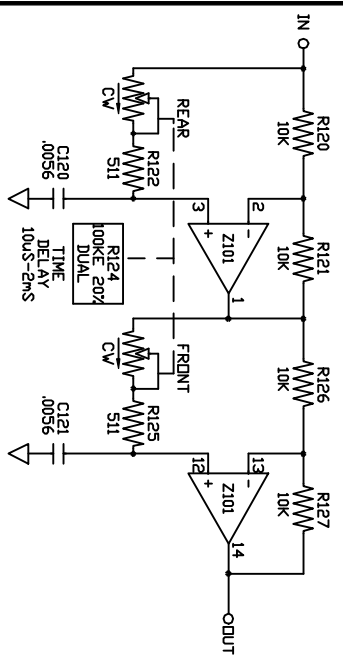
SEE NOTES SHEET 2

DETAIL 1: TYPICAL LINKWITZ-RILEY CROSSOVER CIRCUIT



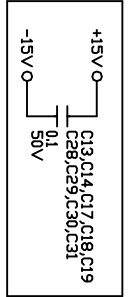
CROSSOVER 1 SHOWN  
(CROSSOVER 2, 3, 4 DESIGNATED: 200, 300, 400)

DETAIL 2: TYPICAL DELAY

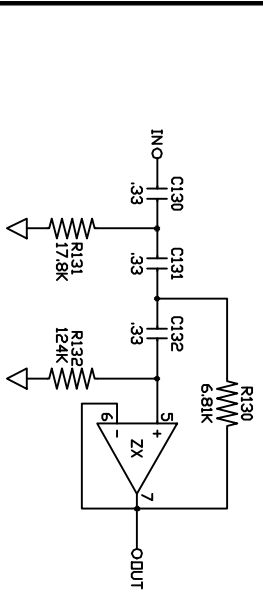


DELAY 1 SHOWN  
(DELAY 2, 3, 4 DESIGNATED: 220, 320, 420)

DECOUPLING CAPS



DETAIL 3: TYPICAL SUBSONIC FILTER



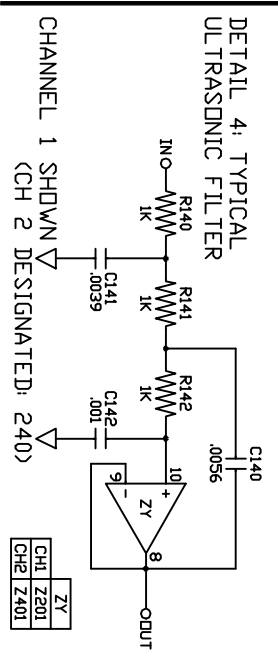
CHANNEL 1 SHOWN  
(CH 2 DESIGNATED: 230)

ZX
CH1 Z100
CH2 Z200

NOTES (UNLESS OTHERWISE NOTED)

1. ALL RES 1/4W, 1%, METAL FILM.
2. POWER SUPPLY CONNECTIONS:  
SING POS SUP 7  
DUAL 8  
QUAD 4
3. ALL SWS SHOWN IN THEIR 'OUT' OR 'OFF' POSITION
4. IC TYPES: Z1, Z2, Z3, Z100 & Z300 = TL072  
Z101, Z102, Z201, Z202, Z301, Z302, Z401, Z402 = 2059

DETAIL 4: TYPICAL ULTRASONIC FILTER



CHANNEL 1 SHOWN  
(CH 2 DESIGNATED: 240)

ZY
CH1 Z201
CH2 Z401

