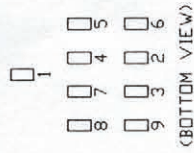
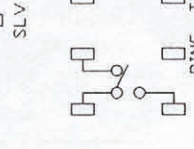


NOTES—UNLESS OTHERWISE SPECIFIED

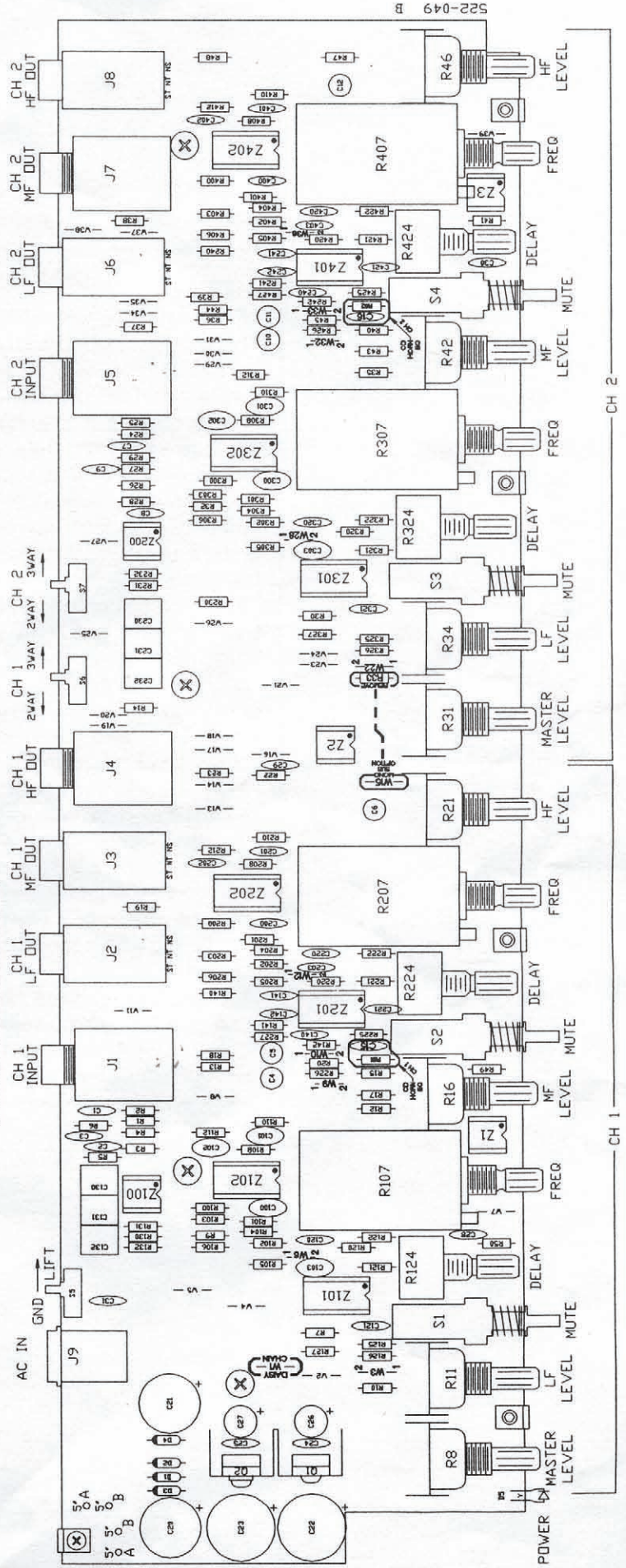
1. PINDOUT OF J1, J4, J5, J7 IS:



PINDOUT, STEREO SW. JACK

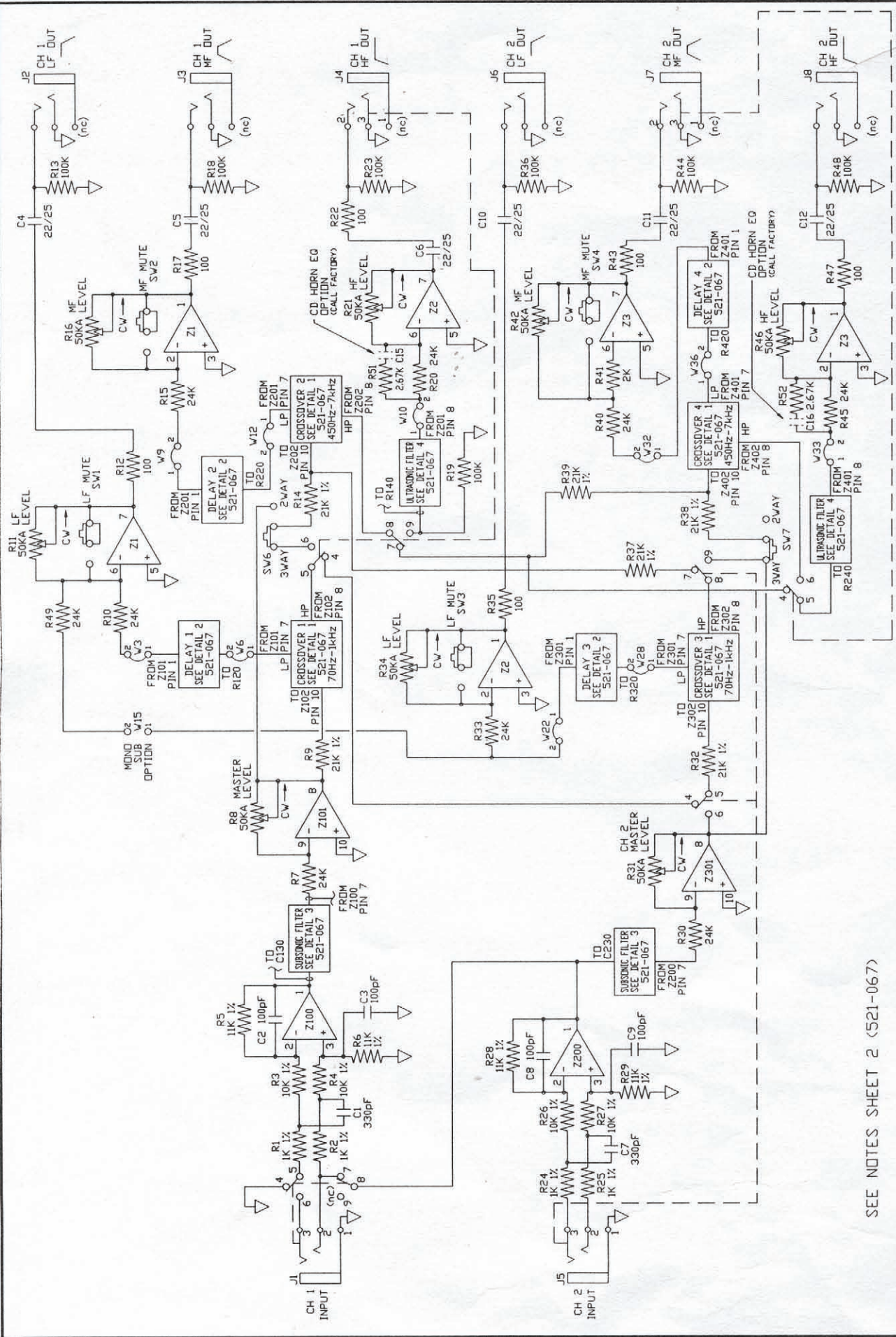


VIEW FROM BOTTOM SIDE



CH 1

CH 2



SEE NOTES SHEET 2 (521-067)



TITLE AC 23 SCHEMATIC RAP

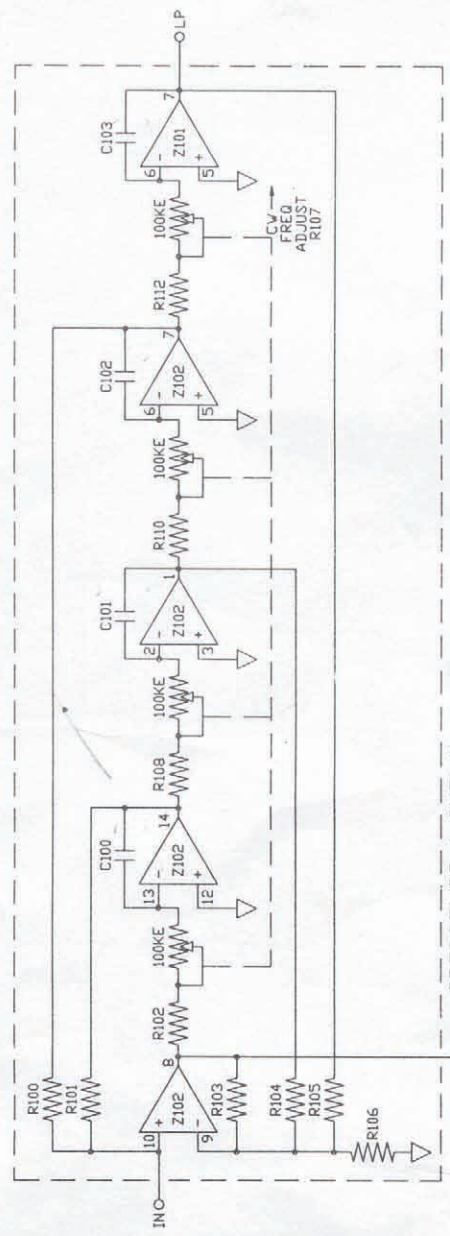
REV. C
 DRW. NO. 521-065

Corp. 10802 47th Avenue West, Everett
 WA 98204-3400 (206) 355-6000

DATE 8FEB91 APPROVED AVC
 DO NOT SCALE DRAWING

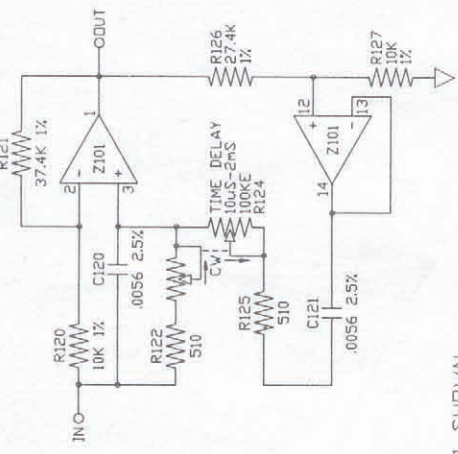
REVISIONS	REV. C	ACTION	PANELIZING
DRAWN	S. TURNUIDGE	DATE	14APR88
CHECKED	A. CLAXTON	DATE	21APR88
SHEET	1	OF	2

DETAIL 1: TYPICAL LINKWITZ-RILEY CROSSOVER CIRCUIT



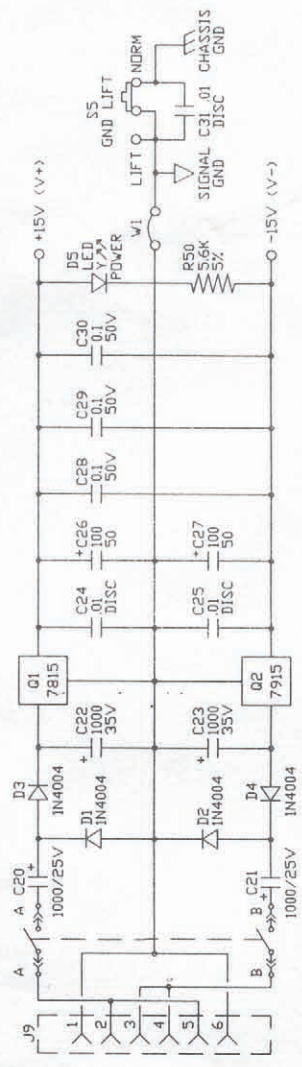
CROSSOVER 1 SHOWN
(CROSSOVER 2, 3, 4 DESIGNATED: 200, 300, 400)

DETAIL 2: TYPICAL DELAY



DELAY 1 SHOWN
(DELAY 2, 3, 4 DESIGNATED: 220, 320, 420)

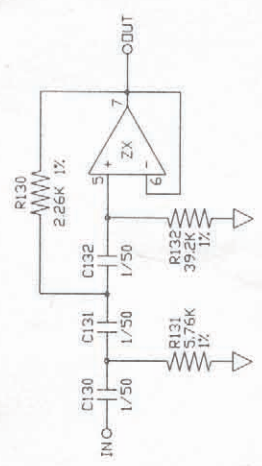
POWER SUPPLY



NOTES (UNLESS OTHERWISE NOTED)

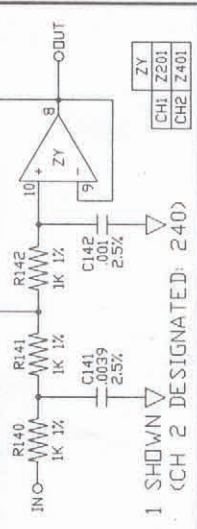
1. ALL RES 1/4W, 1% METAL FILM 5% CARBON FILM.
2. ALL CAPS IN UF/100
3. POWER SUPPLY CONNECTIONS:
SING POS SUP NEG SUP
DUAL 4 4
QUAD 8 11
4. ALL SVs SHOWN IN THEIR 'OUT' OR 'OFF' POSITION
5. IC TYPES: Z1, Z2, Z3, Z100, Z300 = 4072
Z101, Z102, Z201, Z202, Z301, Z302, Z401, Z402 = 4741

DETAIL 3: TYPICAL SUBSONIC FILTER



CHANNEL 1 SHOWN
(CH 2 DESIGNATED: 230)

DETAIL 4: TYPICAL AC23
ULTRASONIC FILTER



CHANNEL 1 SHOWN
(CH 2 DESIGNATED: 240)



TITLE POWER SUPPLY AND DETAILS
AC22 & AC23 RAP

REV. NO. 521-067
REV. B

Corp. 10802 47th Avenue West, Everett
WA 98204-3400 (206) 355-6000

REVISIONS	REV. B	ACTION	DATE	8FE891	APPROVED	AVC						
DRAWN	S. TURNIDGE	DATE	18APR88	CHECKED	A. CLAYTON	DATE	21APR88	SHEET	2	OF	2	DO NOT SCALE DRAWING