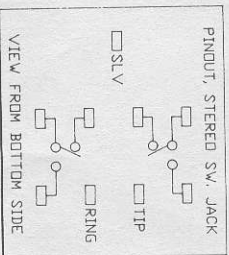


NOTES—UNLESS OTHERWISE SPECIFIED  
 1. PINOUT OF 1J1, 1J4, 2J1, 2J3 IS:

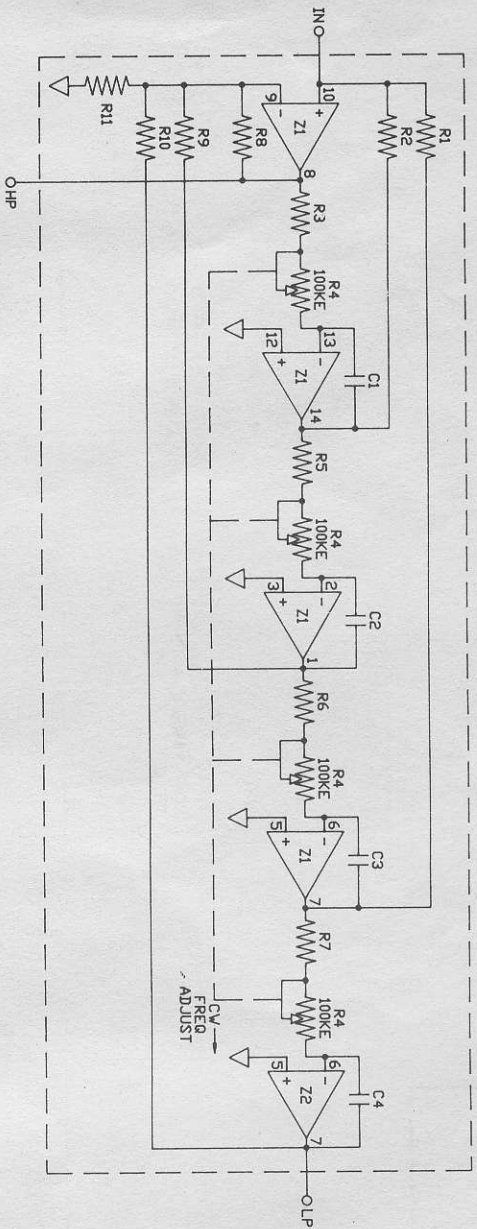


REVISIONS	REV. A	ACTION	SHEET 1	OF 1	DATE 31AUG89	APPROVED	TITLE
DRAWN S. TURNIDGE CHECKED A. CLAYTON DATE 22APR87							AC 23
DD NOT SCALE DRAWING							ASSY RAP
Corp. 10802 47th Avenue West, Everett VA 98204-3400 (206) 355-6000							DRW. NO. 522-049
							REV. A

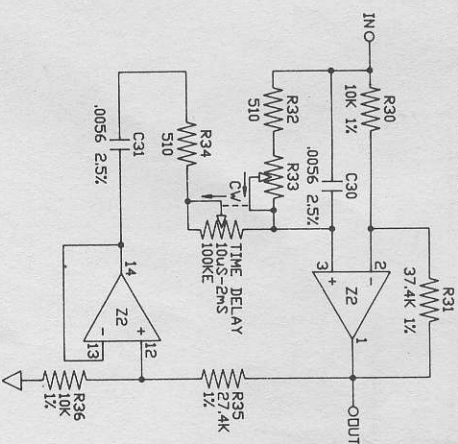




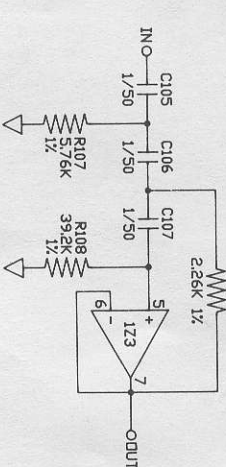
DETAIL 1: TYPICAL LINKWITZ-RILEY CROSSOVER CIRCUIT



DETAIL 2: TYPICAL DELAY

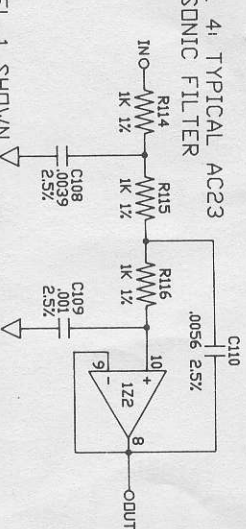


DETAIL 3: TYPICAL SUBSONIC FILTER



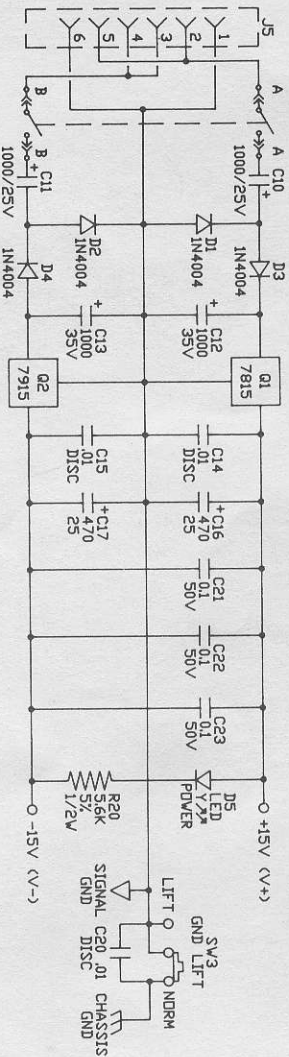
CHANNEL 1 SHOWN

DETAIL 4: TYPICAL ACC23 ULTRASONIC FILTER



CHANNEL 1 SHOWN

POWER SUPPLY



NOTES (UNLESS OTHERWISE NOTED)

1. ALL RES 1/4W 1% METAL FILM 5% CARBON FILM.
2. ALL CAPS IN  $\mu F$  100
3. POWER SUPPLY CONNECTIONS:
  - PDS SUP NEG SUP
  - SING DUAL 7 4
  - QUAD 8 4
4. ALL SVS SHOWN IN THEIR 'OUT' OR 'OFF' POSITION
5. IC TYPES: Z3, Z4, Z5 = 4072  
Z1, Z2 = 4741

COMPONENT DESIGNATION PROTOCOL

COMMON PARTS NUMBERED 1-99  
 CHS PARTS - EITHER PREFIX '1' DR 100-199  
 CHS PARTS - EITHER PREFIX '2' DR 200-299  
 ALL VALUES SUFFIXED 'A' REFER TO FREQ RANGE 70Hz-1kHz  
 ALL VALUES SUFFIXED 'B' REFER TO FREQ RANGE 75Hz-36kHz  
 ALL VALUES SUFFIXED 'C' REFER TO FREQ RANGE 450Hz-7kHz  
 EXAMPLE: '1R1A' - CHANNEL 1  
 -FREQ RANGE 70Hz-1kHz

REV. A	ACTION	DATE	APPROVED	SRM
1	REVISED	18APR88		
2	CHECKED	21APR88		
3	DATE	29AUG89		
4	DO NOT SCALE DRAWING			



Corp. 10802 47th Avenue West, Everett  
 WA 98204-3400 (206) 355-6000

TITLE POWER SUPPLY AND DETAILS  
 ACC22 & ACC23 RAP  
 REV. A