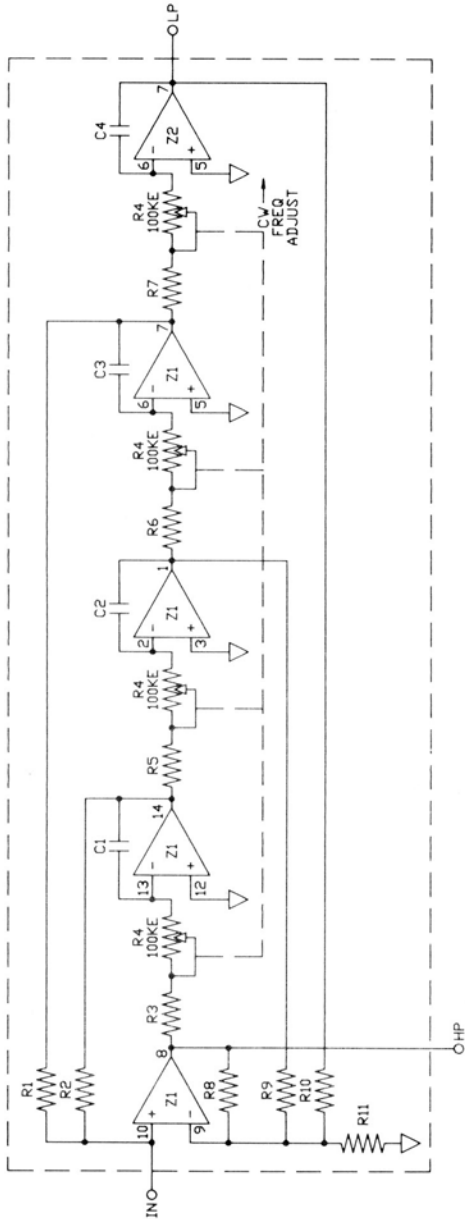
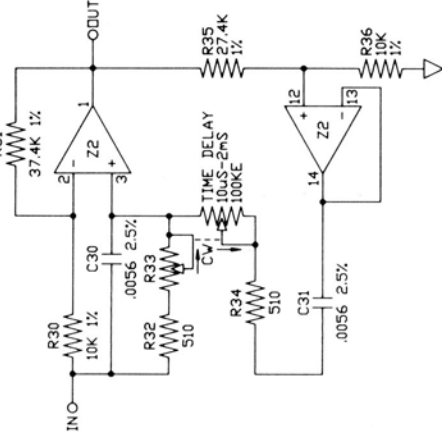


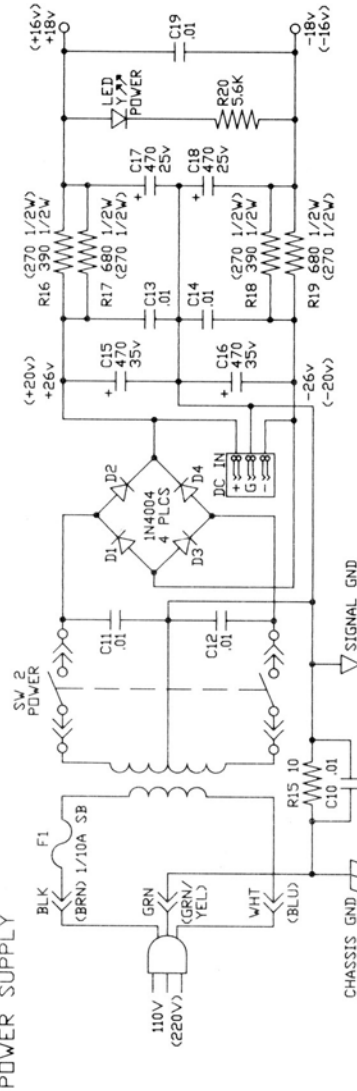
DETAIL 1: TYPICAL LINKWITZ-RILEY CROSSOVER CIRCUIT



DETAIL 2: TYPICAL DELAY



POWER SUPPLY



AC22 SHOWN, AC23 SAME EXCEPT WHERE NOTED BY PARENTHESIS.

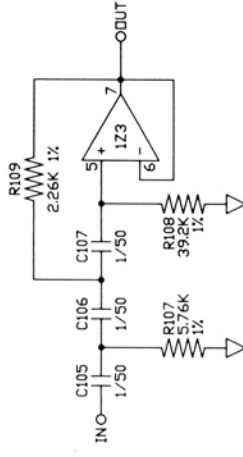
NOTES (UNLESS OTHERWISE NOTED)

1. ALL RES 1/4W, 1% METAL FILM 5% CARBON FILM.
2. ALL CAPS IN µF/100
3. POWER SUPPLY CONNECTIONS:
SING 7 NEG SUP 4
DUAL 8 4
QUAD 4 11
4. ALL SW'S SHOWN IN THEIR 'OUT' OR 'OFF' POSITION
5. IC TYPES: Z3, Z4, Z5 = 4072
Z1, Z2 = 4156

COMPONENT DESIGNATION PROTOCOL

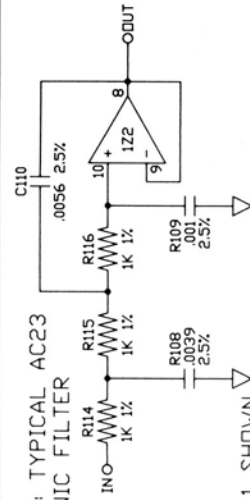
- COMMON PARTS NUMBERED 1-99
 CH1 PARTS- EITHER PREFIX '1' OR 100-199
 CH2 PARTS- EITHER PREFIX '2' OR 200-299
 ALL VALUES SUFFIXED 'A' REFER TO FREQ RANGE 70Hz-1kHz
 ALL VALUES SUFFIXED 'B' REFER TO FREQ RANGE 79Hz-3.6kHz
 ALL VALUES SUFFIXED 'C' REFER TO FREQ RANGE 450Hz-7kHz
 EXAMPLE: '1R1A' -CHANNEL 1
 -FREQ RANGE 70Hz-1kHz

DETAIL 3: TYPICAL SUBSONIC FILTER



CHANNEL 1 SHOWN

DETAIL 4: TYPICAL AC23 ULTRASONIC FILTER



CHANNEL 1 SHOWN



Corp. 10802 47th Avenue Vest, Everett
 WA 98204-3400 (206) 355-6000

TITLE POWER SUPPLY AND DETAILS
 AC22 & AC23

DRV. NO.

521-011

REV. G

REVISIONS	REV.	ACTION	DATE	APPROVED

DRAWN S. TURNIDGE DATE 2/14/88 CHECKED A. CLAXTON DATE 2/14/88 SHEET 2 OF 2 DO NOT SCALE DRAWING

