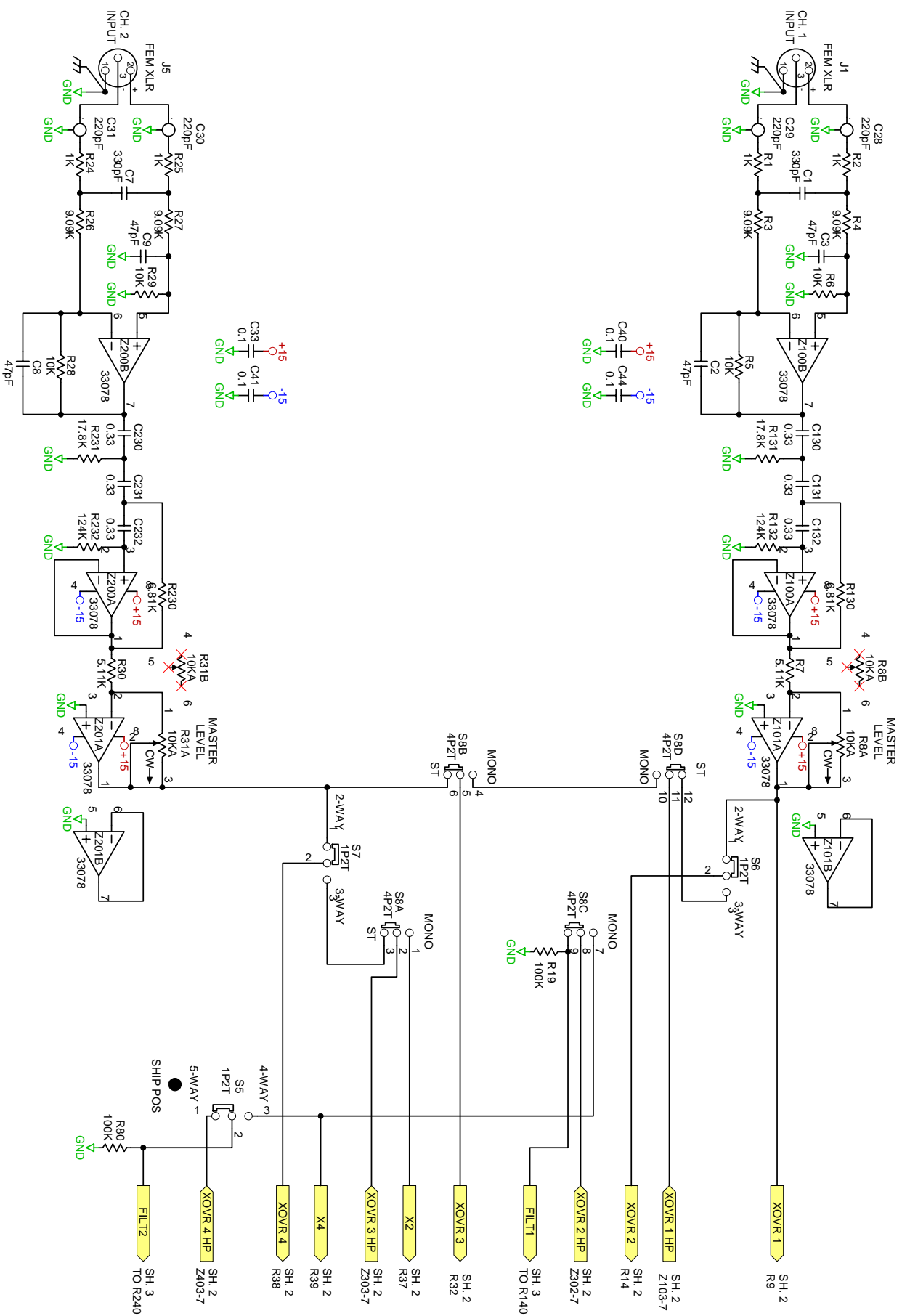


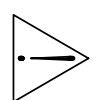
Rane Corp. (425)355-6000
 109646 DES AC23B SHEET 1 OF 2
 ACTION: ADD D8, D9 WAS 106895 ALF 17MAR06



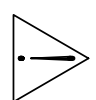
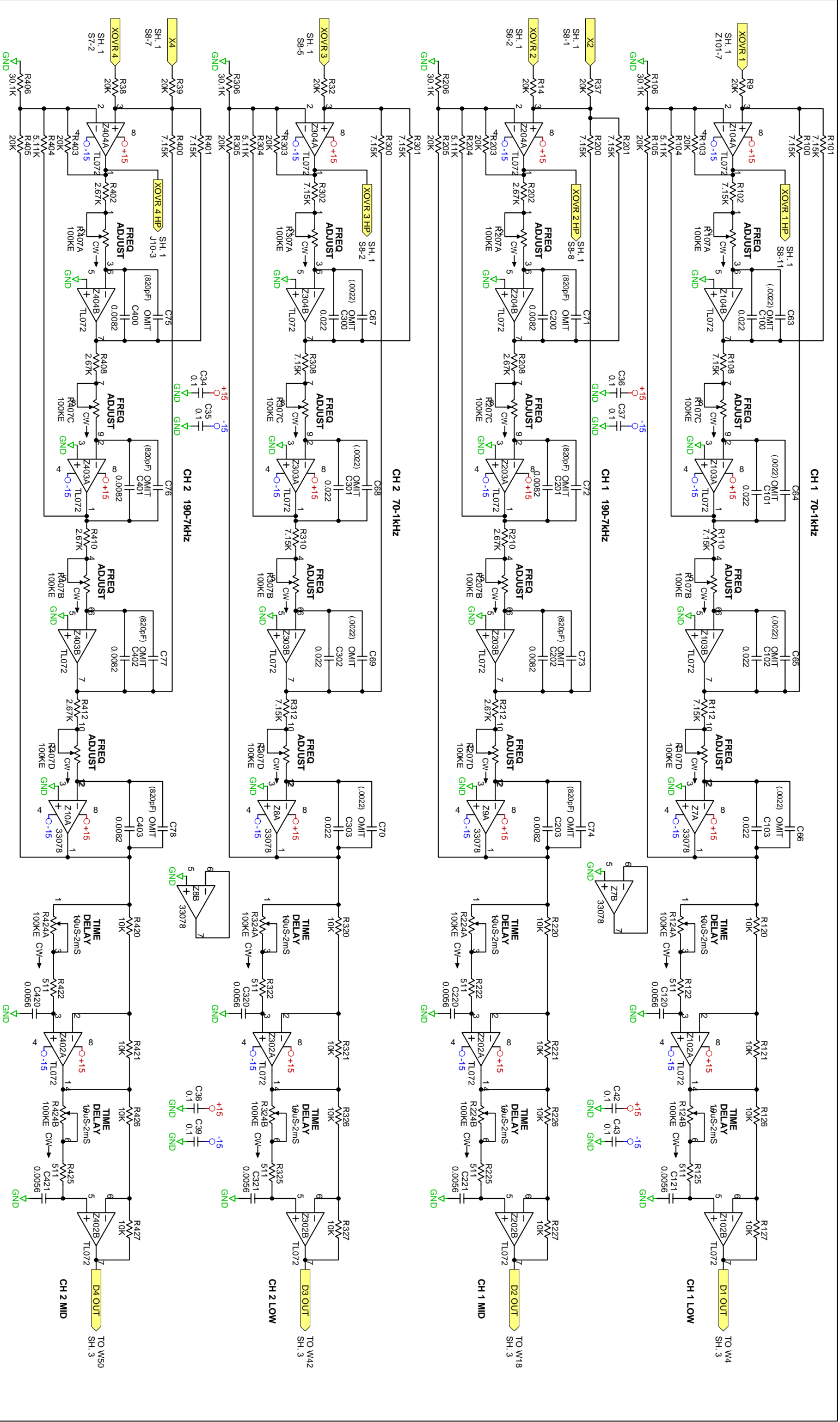
XOVR/DELAY
109645-2-SCH

OUTPUT/PWR SUP
109645-3-SCH

H:\AC23B\109645-1.SCH 23-Mar-2006



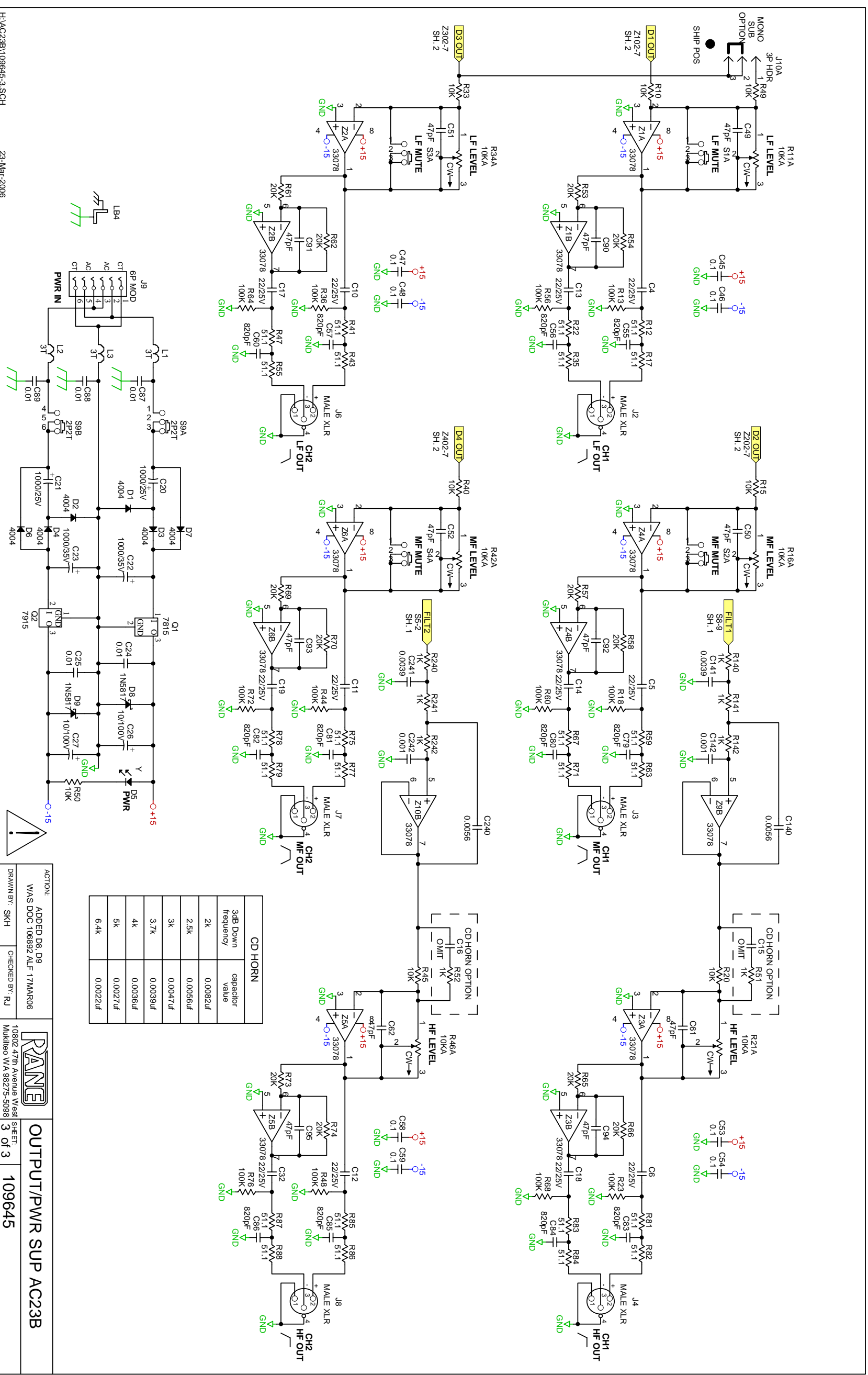
ACTION:	NO CHG TO THIS SHEET. WAS DOC 106892 ALF 17MAR06		INPUT/SUB FILT AC23B SHEET: 1 of 3
DRAWN BY:	SKH		
CHECKED BY:	RJ		109645



ACTION:
NO CHG TO THIS SHEET.
WAS DOC 106882 ALF 17MAR06
DRAWN BY: SKH CHECKED BY: RJ

RANE
10802 47th Avenue West
Mukilteo WA 98275-5098

XOVER/DELAY AC23B
SHEET: 2 of 3
109645



CD HORN	
3dB Down frequency	capacitor value
2K	0.0082uF
2.5K	0.0056uF
3K	0.0047uF
3.7K	0.0039uF
4K	0.0036uF
5K	0.0027uF
6.4K	0.0022uF

ACTION: ADDED D8, D9
 WVAS DOC 106892 ALF 17MAR06
 DRAWN BY: SKH
 CHECKED BY: RJ
RANE
 10802 47th Avenue West
 Mukilteo WA 98275-5098
OUTPUT/PWR SUP AC23B
 SHEET: 3 of 3
 109645