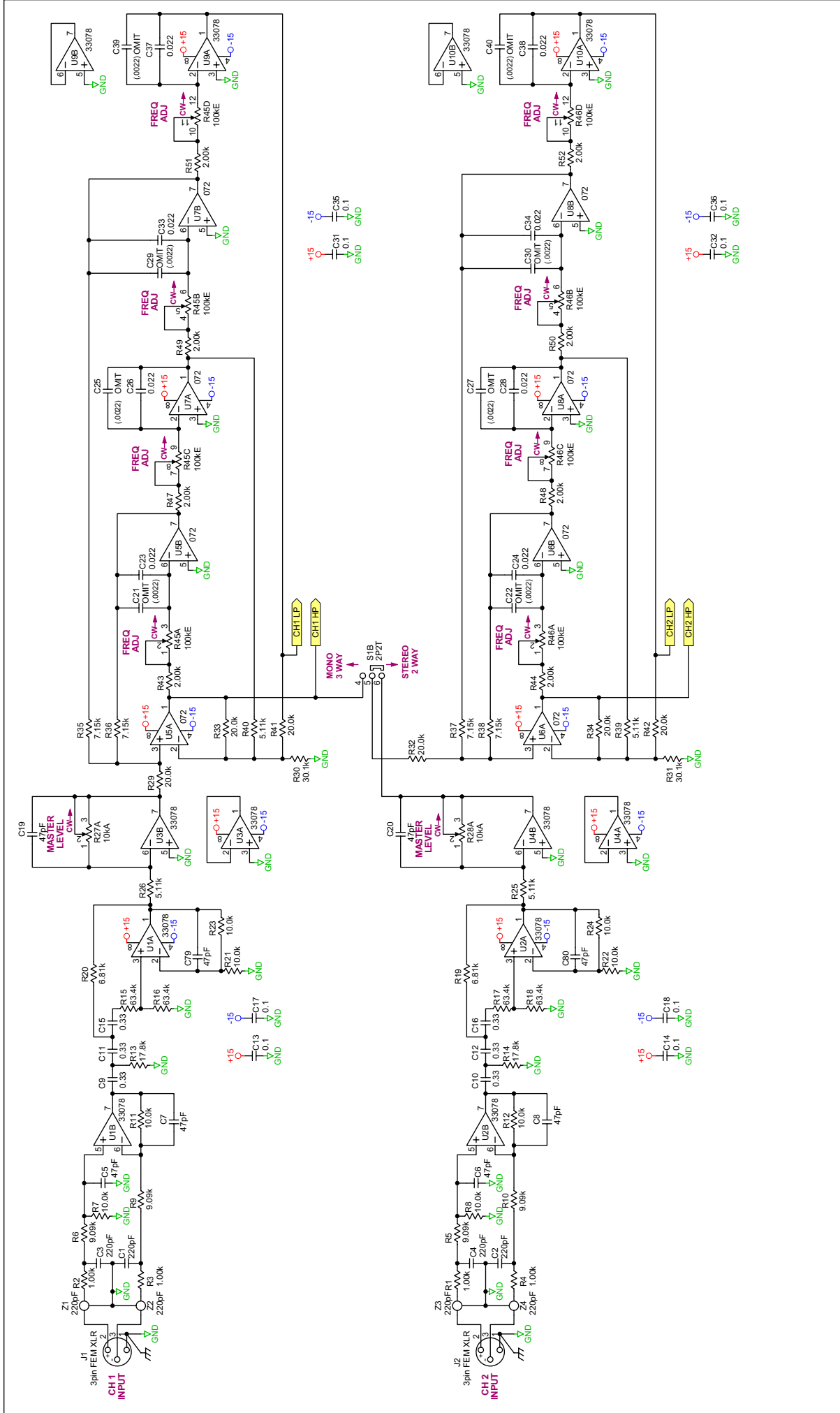
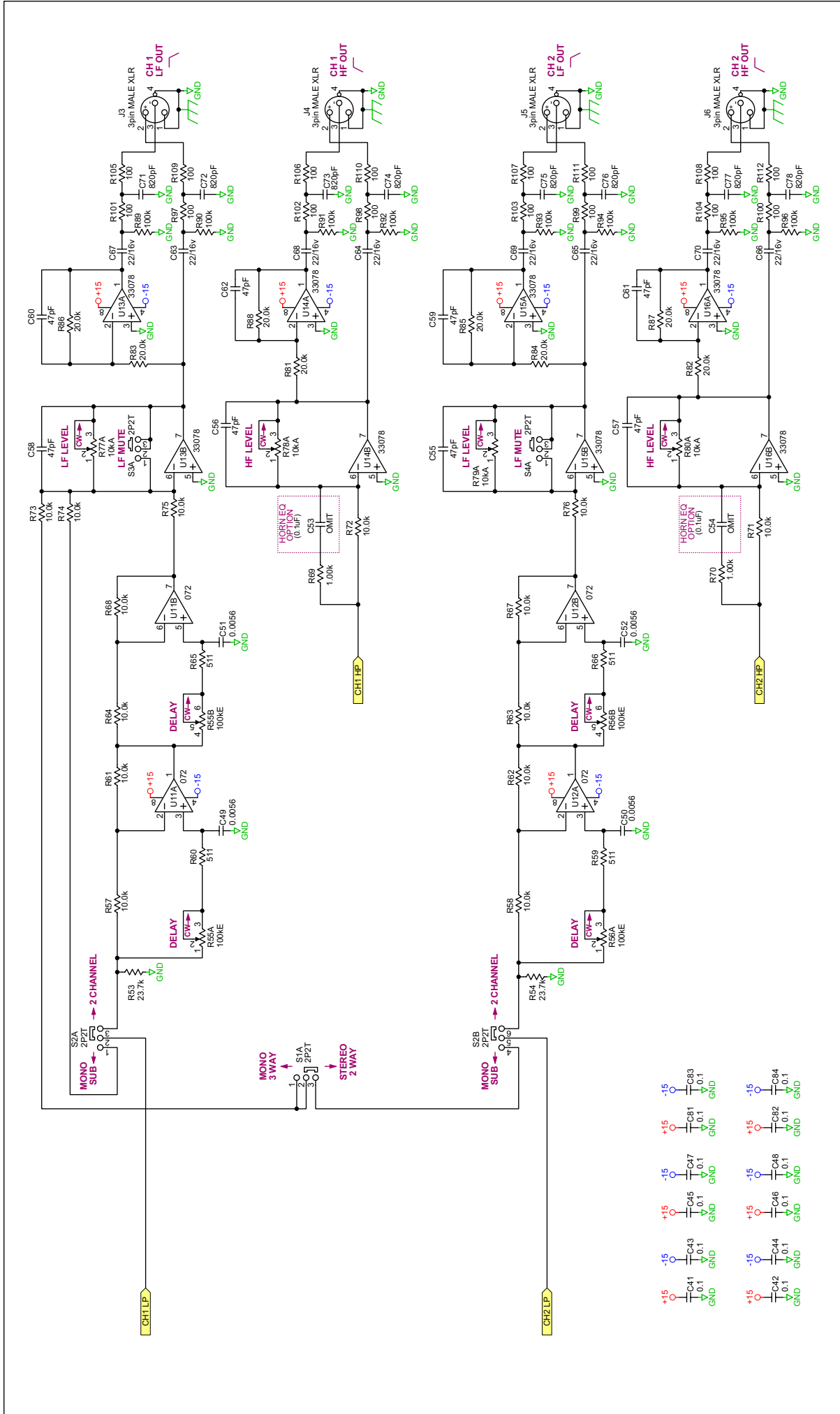
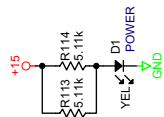
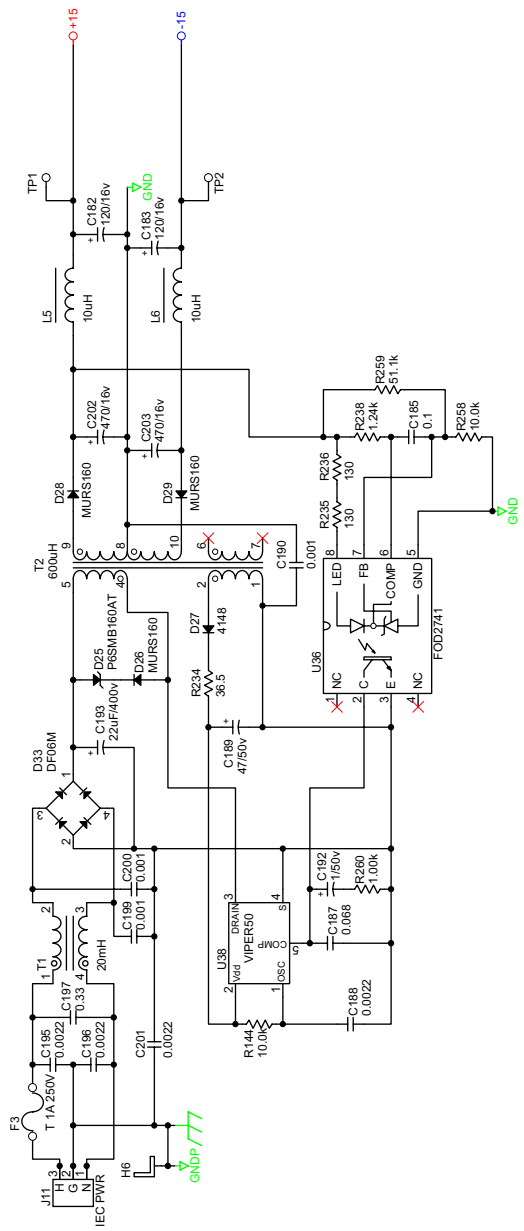


110473 FILM 1 OF 5 TOP SILKSCREEN I.D. AC22S







- O R27C 10kA
- O R28C 10kA
- O R55C 100kE
- O R56C 100kE
- O R77C 10kA
- O R78C 10kA
- O R79C 10kA
- O R80C 10kA
- O R81C 10kA
- O R82C 10kA
- O R83C 10kA
- O R84C 10kA
- O R85C 10kA
- O R86C 10kA
- O R87C 10kA
- O R88C 10kA
- O R89C 10kA
- O R90C 10kA
- O R91C 10kA
- O R92C 10kA
- O R93C 10kA
- O R94C 10kA
- O R95C 10kA
- O R96C 10kA
- O R97C 10kA
- O R98C 10kA
- O R99C 10kA
- O R100C 10kA
- O R101C 10kA
- O R102C 10kA
- O R103C 10kA
- O R104C 10kA
- O R105C 10kA
- O R106C 10kA
- O R107C 10kA
- O R108C 10kA
- O R109C 10kA
- O R110C 10kA
- O R111C 10kA
- O R112C 10kA
- O R113C 10kA
- O R114C 10kA
- O R115C 10kA
- O R116C 10kA
- O R117C 10kA
- O R118C 10kA
- O R119C 10kA
- O R120C 10kA
- O R121C 10kA
- O R122C 10kA
- O R123C 10kA
- O R124C 10kA
- O R125C 10kA
- O R126C 10kA
- O R127C 10kA
- O R128C 10kA
- O R129C 10kA
- O R130C 10kA
- O R131C 10kA
- O R132C 10kA
- O R133C 10kA
- O R134C 10kA
- O R135C 10kA
- O R136C 10kA
- O R137C 10kA
- O R138C 10kA
- O R139C 10kA
- O R140C 10kA
- O R141C 10kA
- O R142C 10kA
- O R143C 10kA
- O R144C 10kA
- O R145C 10kA
- O R146C 10kA
- O R147C 10kA
- O R148C 10kA
- O R149C 10kA
- O R150C 10kA
- O R151C 10kA
- O R152C 10kA
- O R153C 10kA
- O R154C 10kA
- O R155C 10kA
- O R156C 10kA
- O R157C 10kA
- O R158C 10kA
- O R159C 10kA
- O R160C 10kA
- O R161C 10kA
- O R162C 10kA
- O R163C 10kA
- O R164C 10kA
- O R165C 10kA
- O R166C 10kA
- O R167C 10kA
- O R168C 10kA
- O R169C 10kA
- O R170C 10kA
- O R171C 10kA
- O R172C 10kA
- O R173C 10kA
- O R174C 10kA
- O R175C 10kA
- O R176C 10kA
- O R177C 10kA
- O R178C 10kA
- O R179C 10kA
- O R180C 10kA
- O R181C 10kA
- O R182C 10kA
- O R183C 10kA
- O R184C 10kA
- O R185C 10kA
- O R186C 10kA
- O R187C 10kA
- O R188C 10kA
- O R189C 10kA
- O R190C 10kA
- O R191C 10kA
- O R192C 10kA
- O R193C 10kA
- O R194C 10kA
- O R195C 10kA
- O R196C 10kA
- O R197C 10kA
- O R198C 10kA
- O R199C 10kA
- O R200C 10kA
- O R201C 10kA
- O R202C 10kA
- O R203C 10kA
- O R204C 10kA
- O R205C 10kA
- O R206C 10kA
- O R207C 10kA
- O R208C 10kA
- O R209C 10kA
- O R210C 10kA
- O R211C 10kA
- O R212C 10kA
- O R213C 10kA
- O R214C 10kA
- O R215C 10kA
- O R216C 10kA
- O R217C 10kA
- O R218C 10kA
- O R219C 10kA
- O R220C 10kA
- O R221C 10kA
- O R222C 10kA
- O R223C 10kA
- O R224C 10kA
- O R225C 10kA
- O R226C 10kA
- O R227C 10kA
- O R228C 10kA
- O R229C 10kA
- O R230C 10kA
- O R231C 10kA
- O R232C 10kA
- O R233C 10kA
- O R234C 10kA
- O R235C 10kA
- O R236C 10kA
- O R237C 10kA
- O R238C 10kA
- O R239C 10kA
- O R240C 10kA
- O R241C 10kA
- O R242C 10kA
- O R243C 10kA
- O R244C 10kA
- O R245C 10kA
- O R246C 10kA
- O R247C 10kA
- O R248C 10kA
- O R249C 10kA
- O R250C 10kA
- O R251C 10kA
- O R252C 10kA
- O R253C 10kA
- O R254C 10kA
- O R255C 10kA
- O R256C 10kA
- O R257C 10kA
- O R258C 10kA
- O R259C 10kA
- O R260C 10kA
- O R261C 10kA
- O R262C 10kA
- O R263C 10kA
- O R264C 10kA
- O R265C 10kA
- O R266C 10kA
- O R267C 10kA
- O R268C 10kA
- O R269C 10kA
- O R270C 10kA
- O R271C 10kA
- O R272C 10kA
- O R273C 10kA
- O R274C 10kA
- O R275C 10kA
- O R276C 10kA
- O R277C 10kA
- O R278C 10kA
- O R279C 10kA
- O R280C 10kA
- O R281C 10kA
- O R282C 10kA
- O R283C 10kA
- O R284C 10kA
- O R285C 10kA
- O R286C 10kA
- O R287C 10kA
- O R288C 10kA
- O R289C 10kA
- O R290C 10kA
- O R291C 10kA
- O R292C 10kA
- O R293C 10kA
- O R294C 10kA
- O R295C 10kA
- O R296C 10kA
- O R297C 10kA
- O R298C 10kA
- O R299C 10kA
- O R300C 10kA



ACTION:  
 DRAWN BY: SKH  
 CHECKED BY: rj

POWER SUPPLY AC22S  
 SHEET: 3 of 3  
**110474**

3/30/2007  
 C:\cad projects\AC22S\110474-3.SchDoc